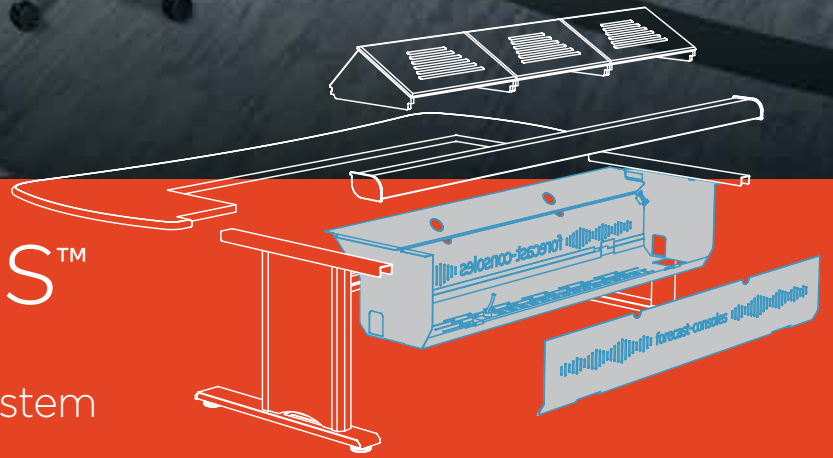




*The infinitely accessible, light weight and affordable console solution*



## GCX-Chassis™

Total Access, Affordable  
**X-Chassis** Based Console System



**GCX-W: WORKSTATION**  
*Individual Console*



**GCX-S: SIT-2-STAND**  
*Electronic Height Adjustable*



**GCX-C: CONTINUUM**  
*Expandable and Configurable*

## TABLE OF CONTENTS:

### **GCX**

■ The Anatomy of GCX.....	<b>2</b>
■ The Look of your GCX .....	<b>3</b>
■ GCX in Action.....	<b>4</b>
■ Turret Options.....	<b>6</b>
■ Removable Rack Insert.....	<b>7</b>
■ X-Chassis Dimensions .....	<b>9</b>
■ Wiring.....	<b>10</b>
■ Console Section Dimensions .....	<b>11</b>

### **GCX-S**

■ GCX-S1 Base Model .....	<b>14</b>
■ GCX-S1 Countertop Options.....	<b>15</b>
■ GCX-S2 Base Model .....	<b>16</b>
■ GCX-S2 Countertop Options.....	<b>17</b>
■ GCX-S3 Base Model.....	<b>18</b>
■ GCX-S3 Countertop Options.....	<b>19</b>
■ GCX-S4 Base Model.....	<b>20</b>
■ GCX-S4 Countertop Options.....	<b>21</b>

### **GCX-W**

■ GCX-W1 Base Model .....	<b>24</b>
■ GCX-W1 Countertop Options.....	<b>25</b>
■ GCX-W2 Base Model .....	<b>26</b>
■ GCX-W2 Countertop Options.....	<b>27</b>
■ GCX-W3 Base Model .....	<b>28</b>
■ GCX-W3 Countertop Options.....	<b>29</b>
■ GCX-W4 Base Model.....	<b>30</b>
■ GCX-W4 Countertop Options.....	<b>31</b>

### **GCX-C Continuum**

■ GCX-Continuum.....	<b>34</b>
■ Curved Layouts .....	<b>35</b>
■ GCX Continuum Detail .....	<b>36</b>
■ Pre-Configured Models .....	<b>37</b>
■ Curved Console Cockpit.....	<b>40</b>
■ Transitions.....	<b>41</b>
■ Rack Base Options .....	<b>43</b>
■ Equipment Wedge Options .....	<b>44</b>
■ Accessories.....	<b>45</b>

# GCX product line options:

# W

**Workstation**  
Individual  
Console



## GCX-W

- Stationary console available in 1, 2, 3 and 4 bay wide X-Chassis
- Legs have removable panels to access cables from X-Chassis to floor
- Lift-off, removable, vented turrets and filler panels available

# S

**Sit-2-Stand**  
Electronic Height  
Adjustable



## GCX-S

- Countertop height fully adjustable from 25" to 50"
- Motorized legs have a 500 lb. lift capacity
- Flexible and protective cable management
- Console available in 1, 2, 3 and 4 bay wide X-Chassis
- Electronic handset switch has 3-programmable height settings

# C

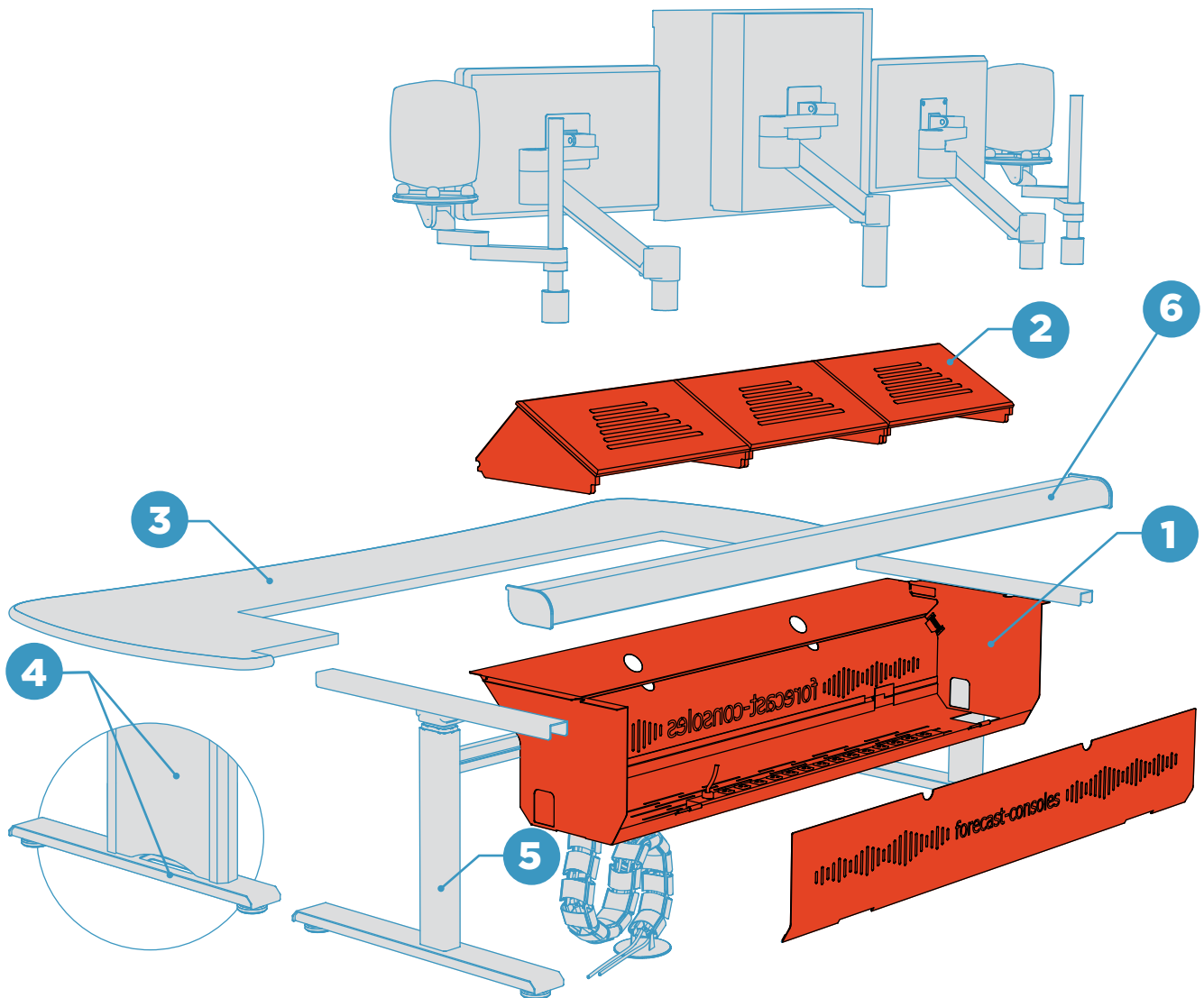
**Continuum**  
Expandable and  
Configurable



## GCX-C

- Infinitely expandable and configurable console
- Based on combining 1, 2, 3 and 4 bay wide X-Chassis to create a fully customized console
- Can be configured in any shape to compliment any size room

# The anatomy of a GCX:



- 1 Lightweight steel **X-Chassis** with removable hinged doors. Available in 1, 2, 3 and 4 bay widths.
- 2 Vented and lift-off **removable turrets** are available in 2, 3, 4 & 5 rack units (Can be combined with 1 and 1/2 bay countertop fillers).
- 3 Available in multiple **countertop** sizes, styles and finishes.

- 4 Stationary legs for **Continuum** (GCX-C) & **Workstation** (GCX-W). Legs have removable panels to easily route cables to the floor.
- 5 **Sit-2-Stand** console (GCX-S) uses electronically controlled height adjustable legs. Adjusts from approximately 25" to 50" at countertop height.
- 6 **Rear Rail** for accessory mounting.

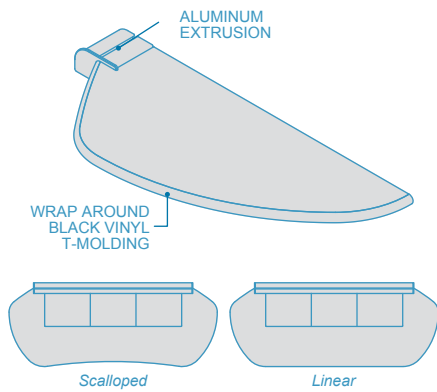
# The look of your GCX:

## Give your consoles their own look

### COUNTLESS COUNTERTOP VARIATIONS

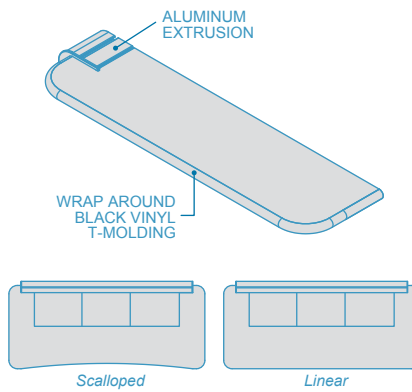
Various countertop shapes, end details, materials and colors allow you to create the perfect console for your needs.

#### CURVED COUNTERTOP



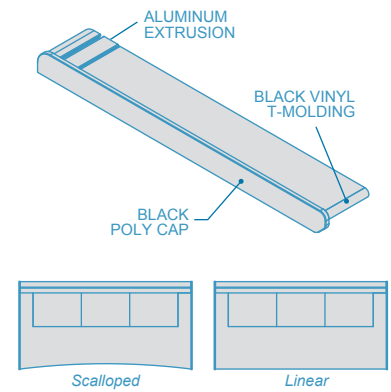
LAMINATE OR LINOLEUM WITH T-MOLDING

#### SQUARED COUNTERTOP



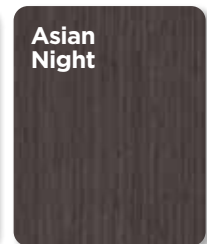
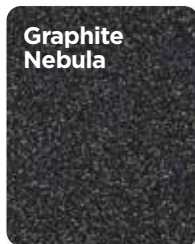
SOLID SURFACE

#### CAPPED COUNTERTOP



LAMINATE W/ COMFORT EDGE

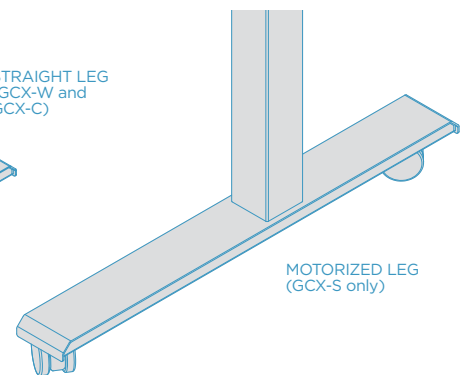
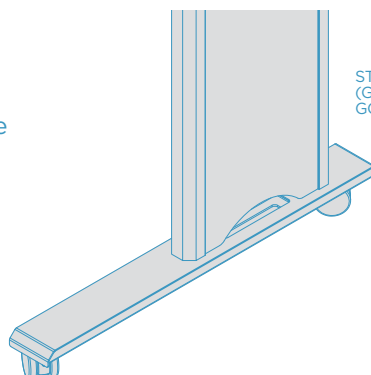
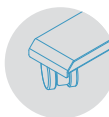
## Standard Laminates



## A leg to stand on

### LEG OPTIONS

Console leg comes standard with adjustable height floor levelers. Combination lockable front & free-wheel rear casters are available as an upgrade.



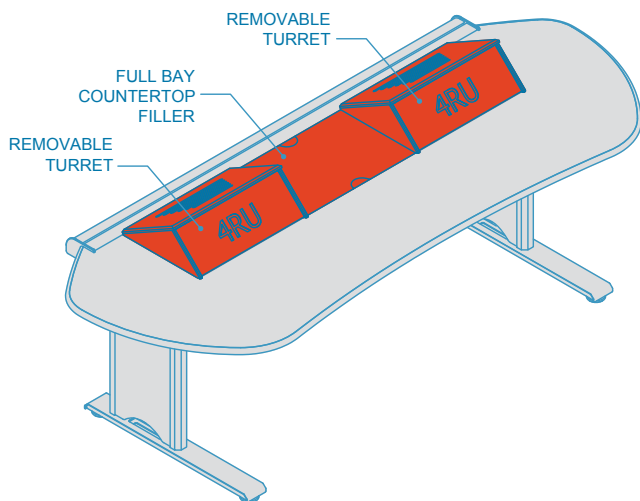
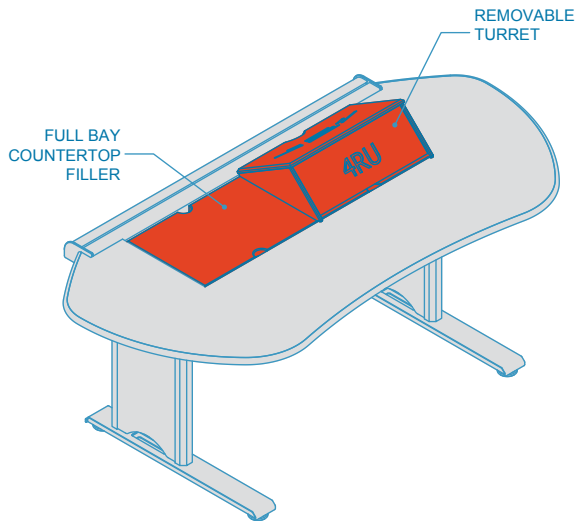
# GCX in action:

## One man show

GCX-W WORKSTATION -  
EVERYTHING AT YOUR FINGERTIPS



Workstations offer the best possible solutions for non-linear editing, graphics and color correction workstations. The consoles are pre-engineered, affordable and ready for quick-ship.

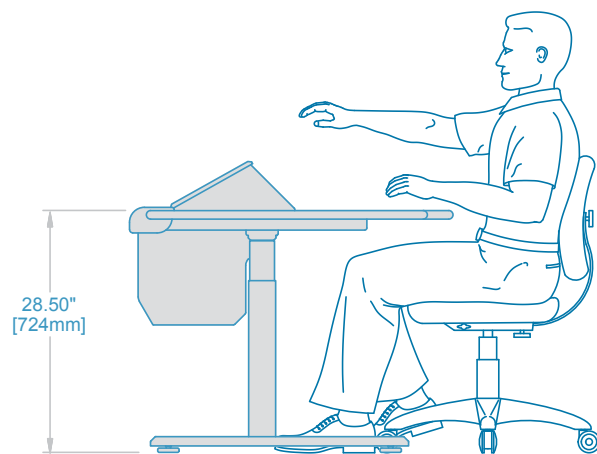
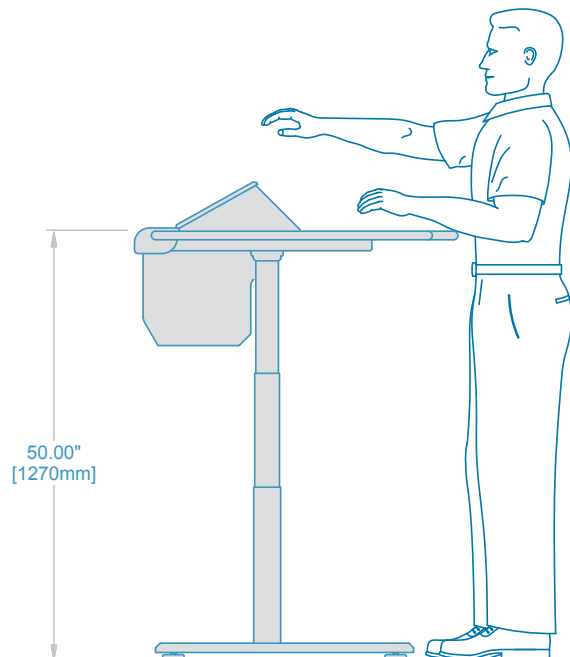


## Rise to the occasion

GCX-S SIT-2-STAND -  
ELECTRONIC HEIGHT ADJUSTABLE



All GCX-S are fully height adjustable with electronically controlled actuators, capable of 500 pounds of lift. This allows the countertop height to go from 25 inches above the floor all the way to 50 inches.



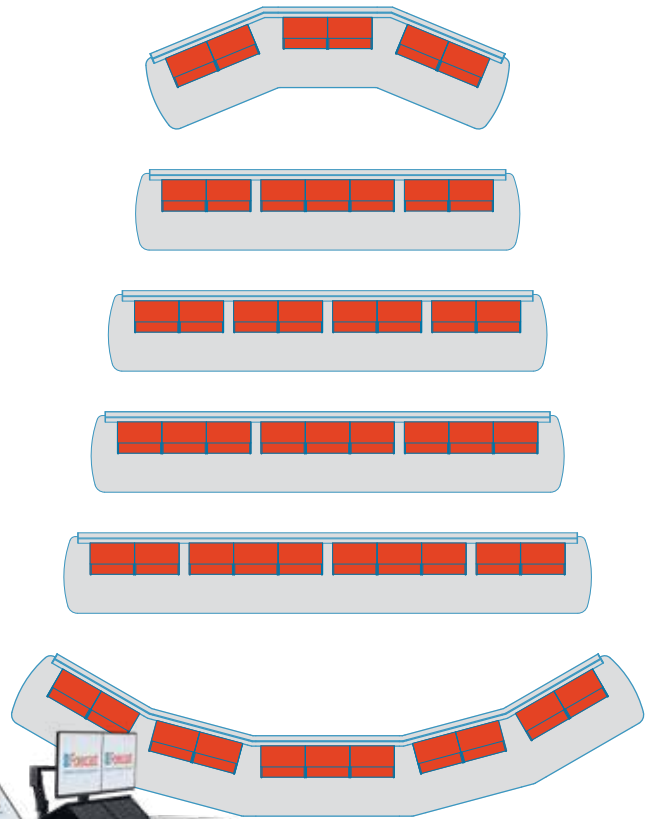
NOTE: Countertop height is not shown in the lowest position

# Infinitely expandable and configurable

GCX-C CONTINUUM -  
FITS ANY/EVERY ROOM SIZE OR SHAPE



Continuum can be configured in rows, or in concave or convex curves as well as freeform S-shape footprints. The lower transition panels ensure that wiring between units is protected and hidden from view. The rear aluminum extrusion (accessories rail) is custom cut to match the final shape allowing for easy addition and relocation of the monitor arms and other mounted accessories.

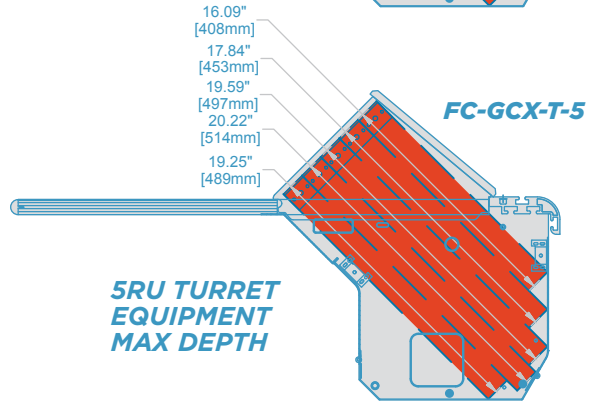
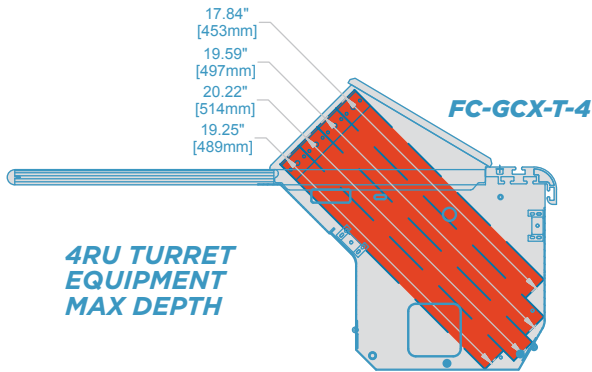
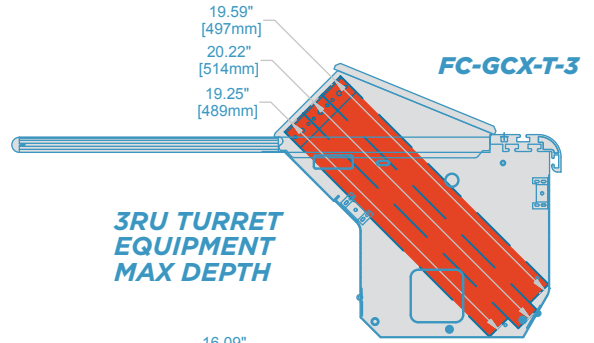
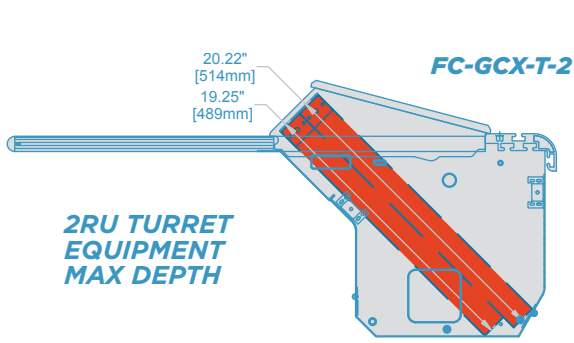


# GCX-Chassis™

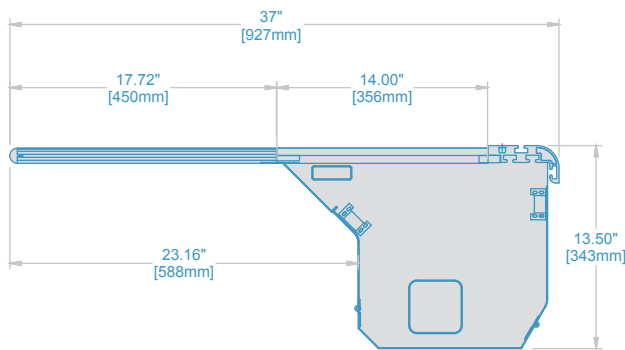
## Specs & Configurations



### Removable Turrets

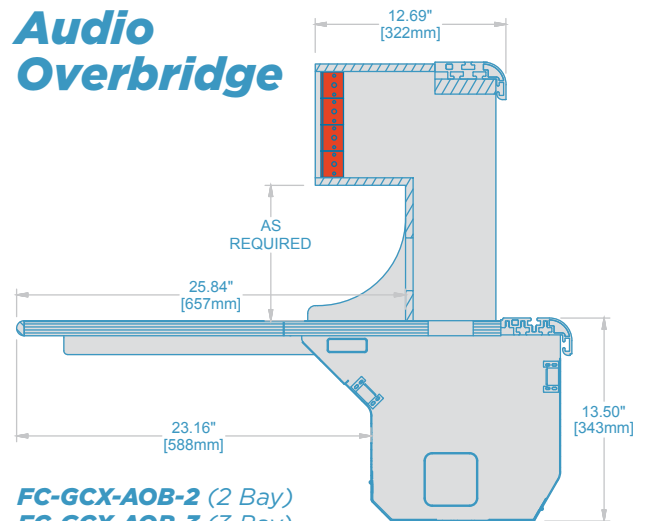


### Removable C-Top Filler



**FC\_GCX-CF-1** (1 Bay)  
**FC-GCX-CF-0.5** (1/2 Bay)

### Audio Overbridge



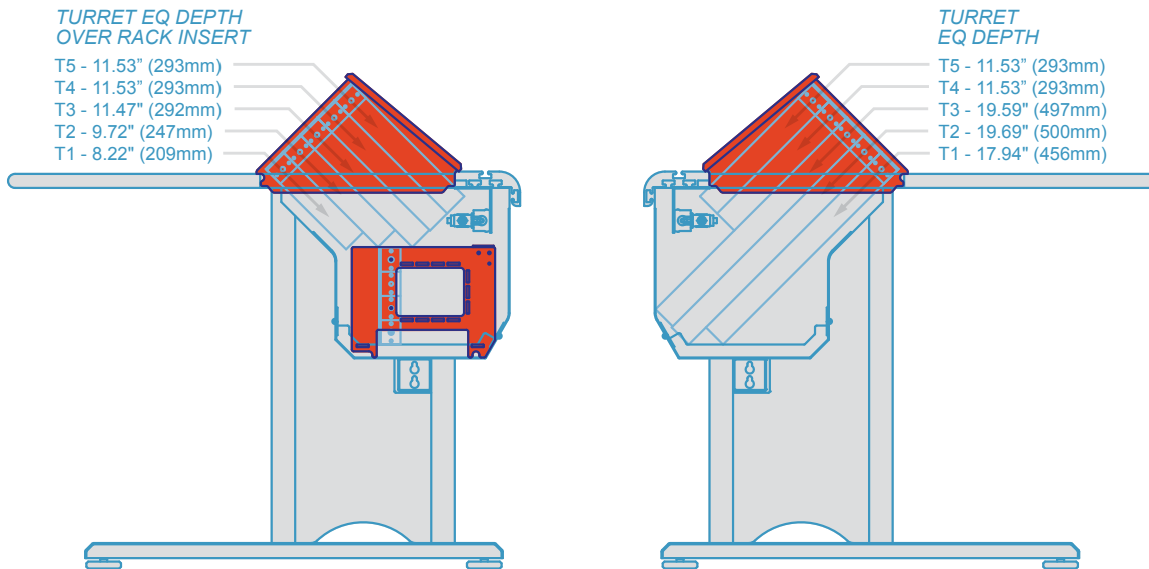
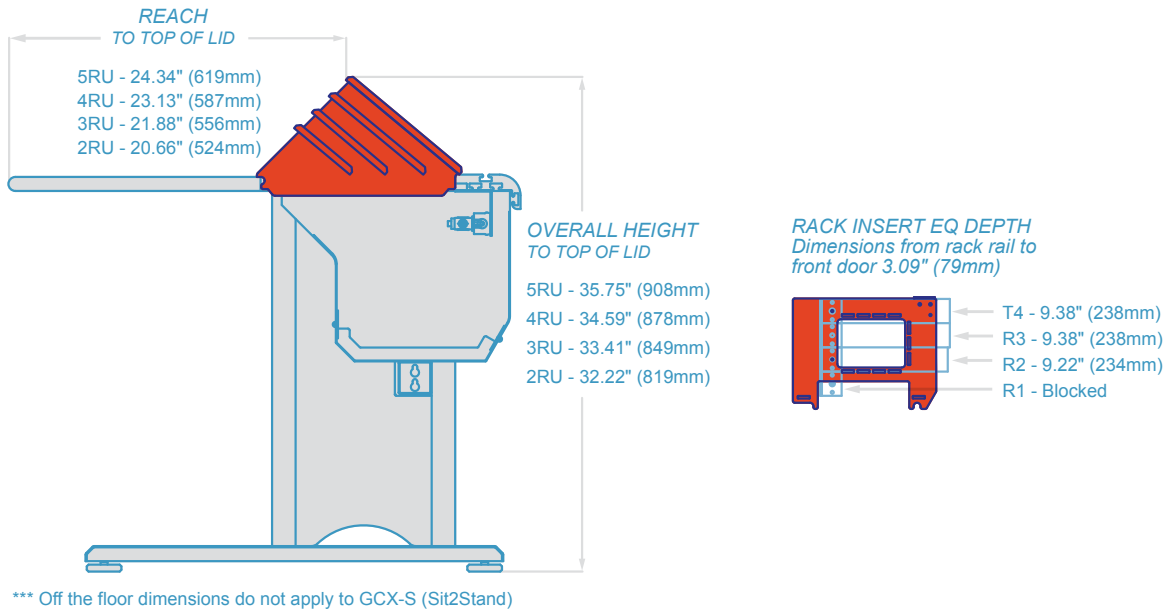
NOTE: Actual dimensions depends on the final design

All designs, plans, ideas & specifications in this drawing remain the entire property of Forecast Consoles Inc. and may not be reproduced or used in any manner without written consent.



## Dimensions with Rack Turret and Insert options

MasterVision removable rack inserts are available in 3 and 4 rack unit. Diagrams below show maximum equipment depth when using a 5 rack unit turret and 3 and 4 rack unit undercounter rack insert combinations.

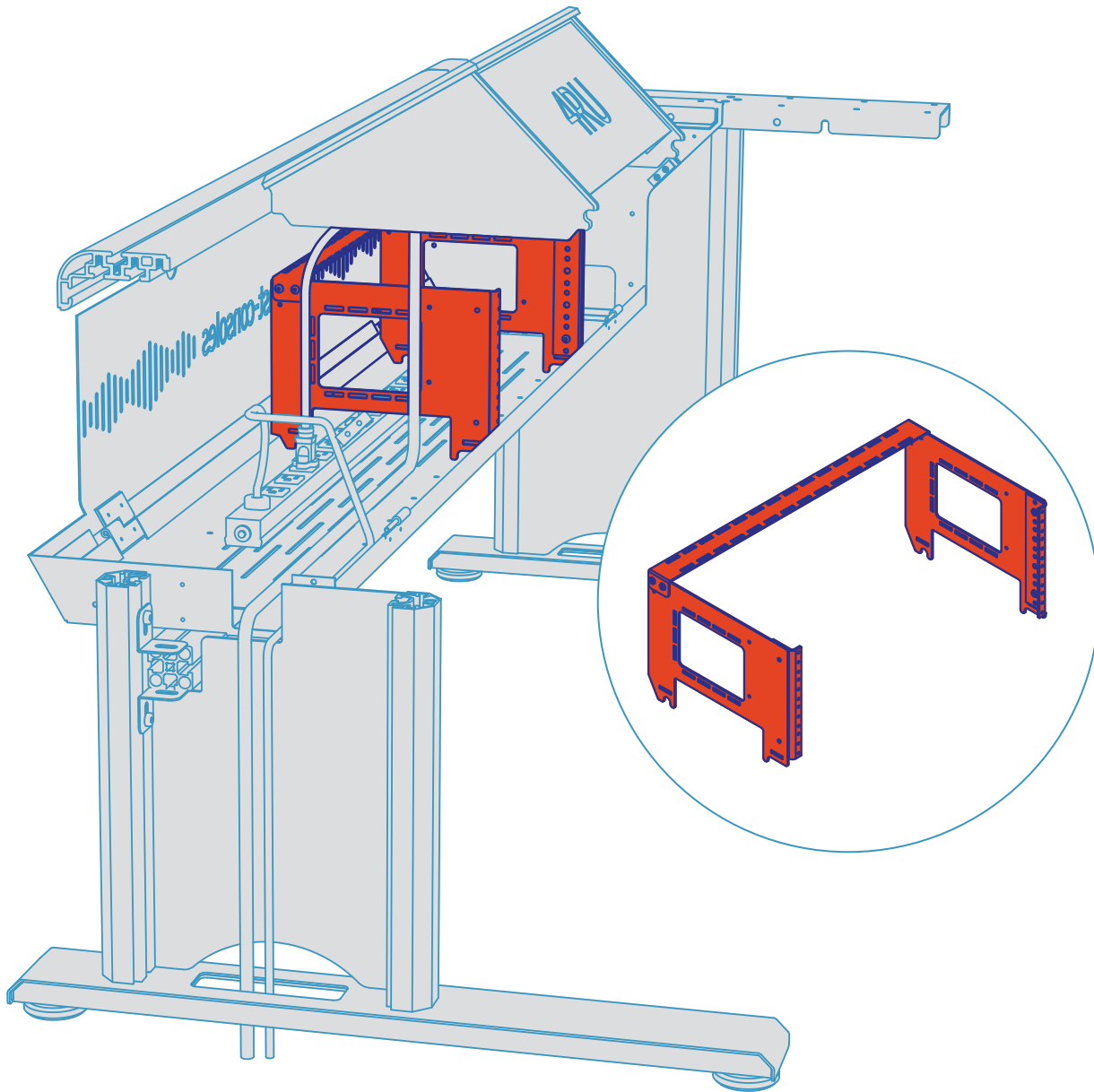


# GCX-Chassis™

Specs & Configurations



CABLE PATHS



All designs, plans, ideas & specifications in this drawing remain the entire property of Forecast Consoles Inc. and may not be reproduced or used in any manner without written consent.

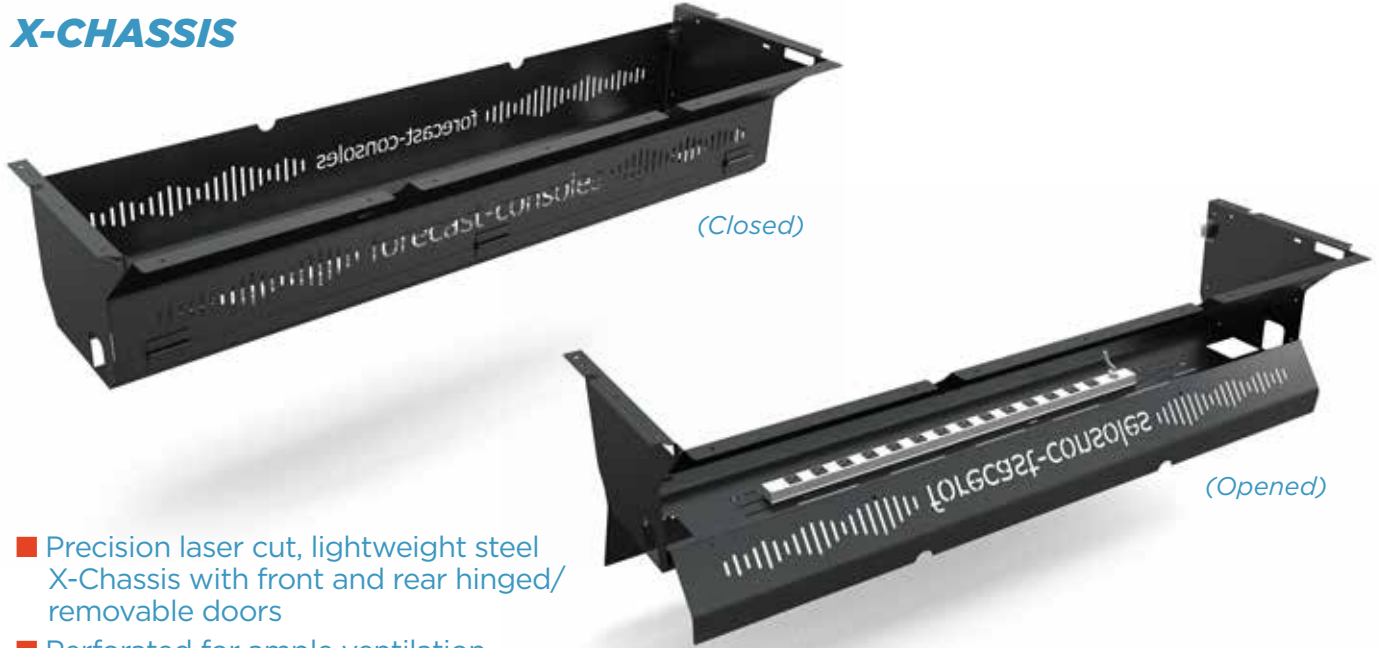
(631) 253-9000 or [info@forecast-consoles.com](mailto:info@forecast-consoles.com)

# GCX-Chassis™

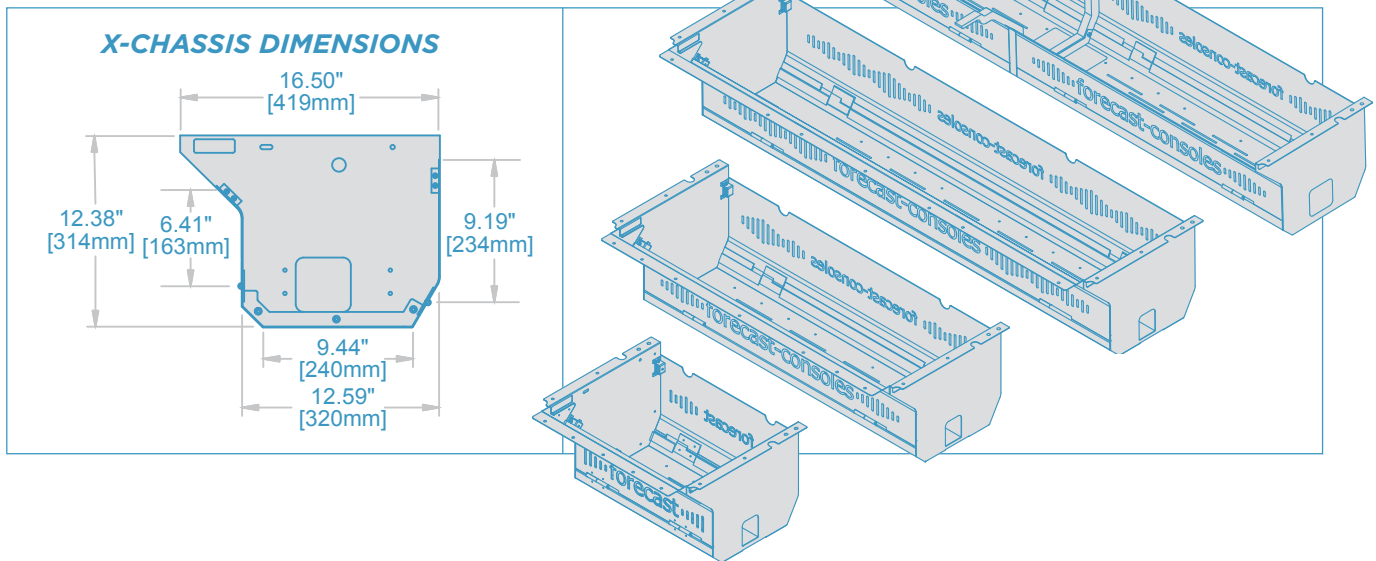
## Specs & Configurations



### X-CHASSIS



- Precision laser cut, lightweight steel X-Chassis with front and rear hinged/removable doors
- Perforated for ample ventilation
- Integrated power distribution options
- Multiple slots for managing cables
- Strategically placed holes for cable routing
- Open design for easy access



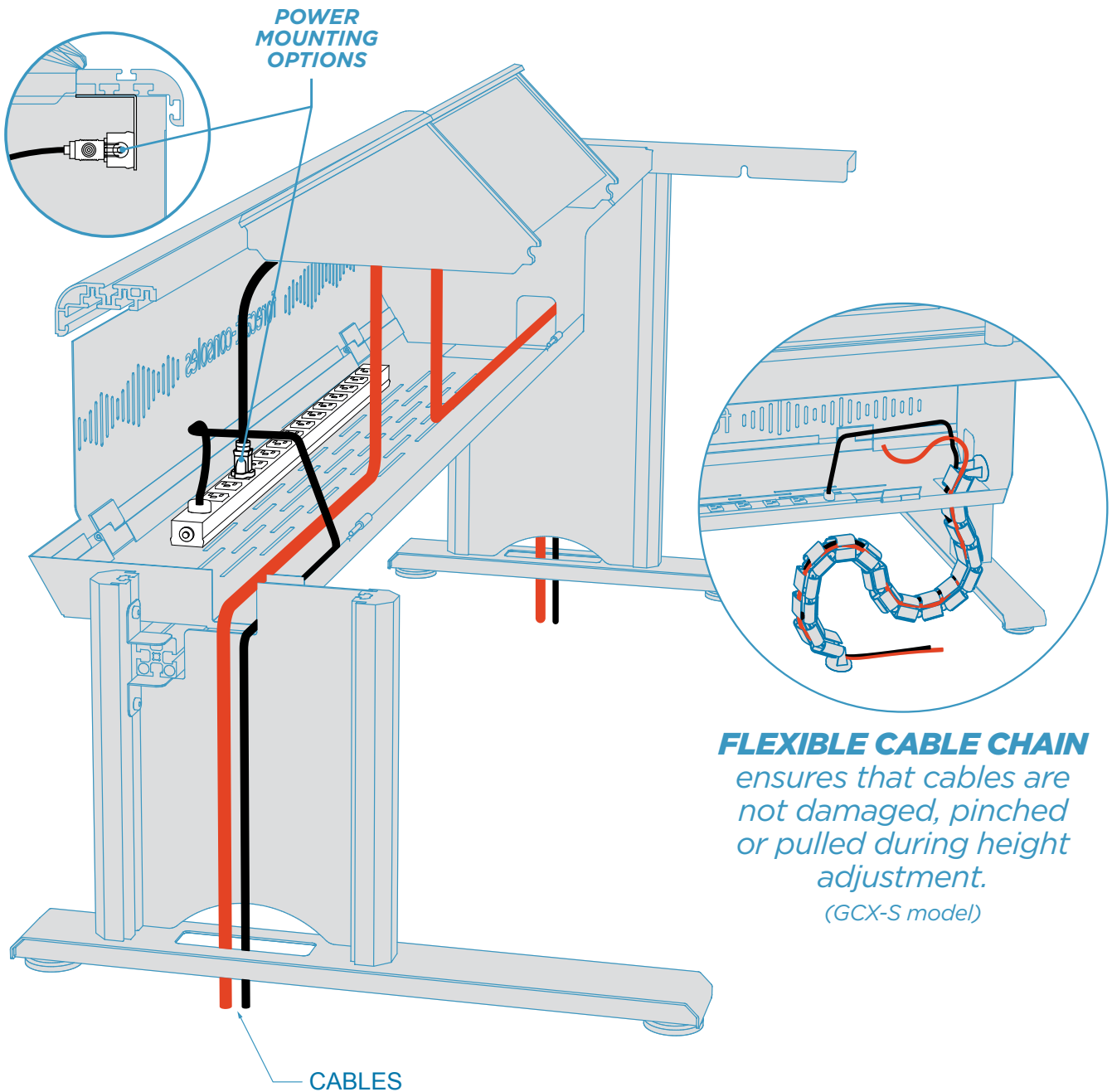
# GCX-Chassis™

Specs & Configurations



**CABLE PATHS** ensure that wiring can easily be passed between X-Chassis' and support legs while remaining unseen.

(GCX-W and GCX-C models)

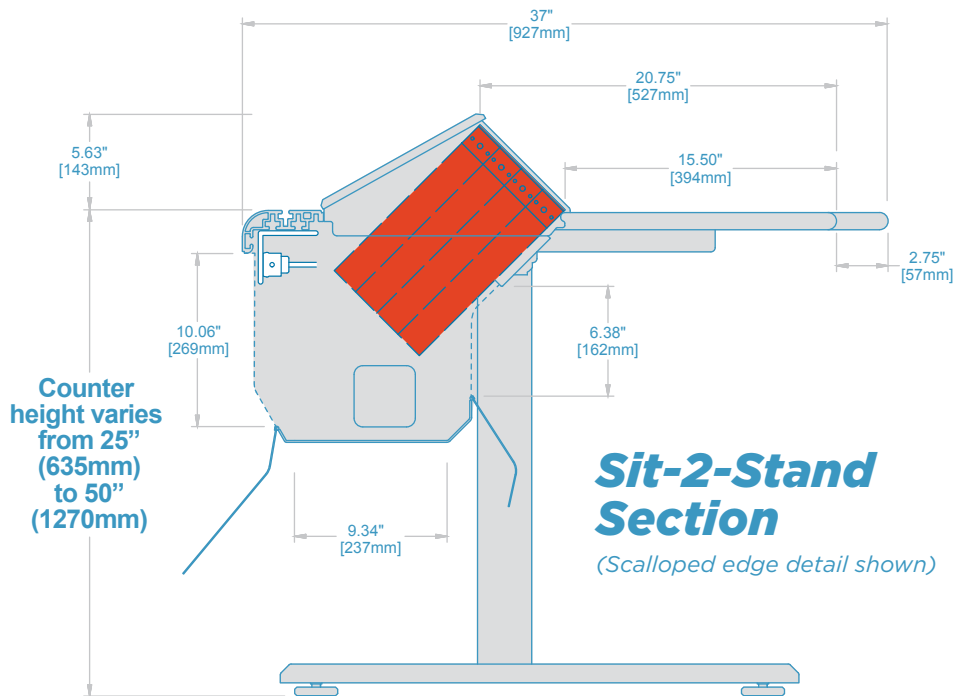
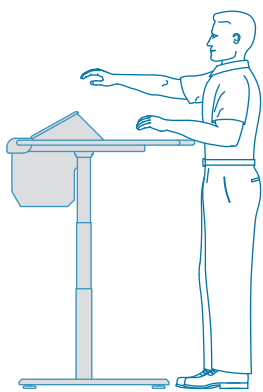
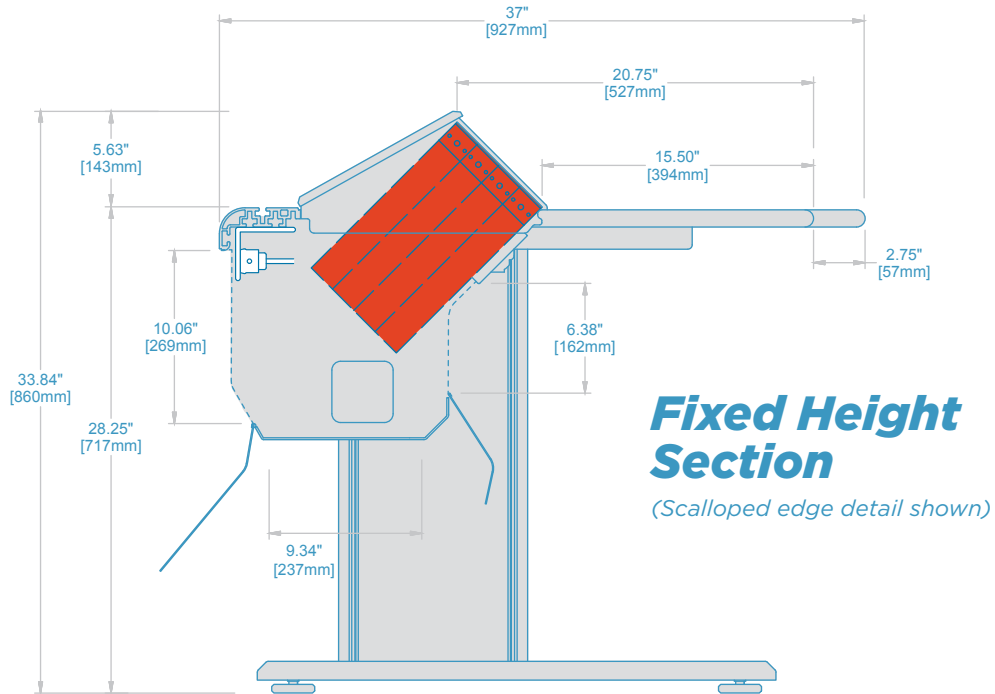


All designs, plans, ideas & specifications in this drawing remain the entire property of Forecast Consoles Inc. and may not be reproduced or used in any manner without written consent.

(631) 253-9000 or [info@forecast-consoles.com](mailto:info@forecast-consoles.com)

# GCX-Chassis™

## Specs & Configurations





S

**Sit-2-Stand**

*Electronic Height  
Adjustable*

# GCX-S Sit-2-Stand™

Electronic Height Adjustment



## GCX-S (Sit-2-Stand console)

- Console available in 1, 2, 3 and 4 bay wide X-Chassis
- Countertop height fully adjustable from 25" to 50"
- Motorized legs have a 500 lb. lift capacity
- Flexible and protective cable management
- Electronic controller has three programmable height settings



MODEL SHOWN:  
**FC-GCX-S3-A**

# GCX-S Sit-2-Stand™

Electronic Height Adjustment



## GCX-S1



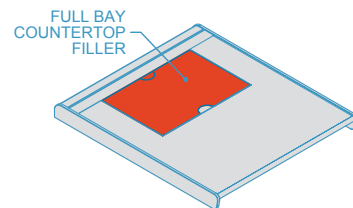
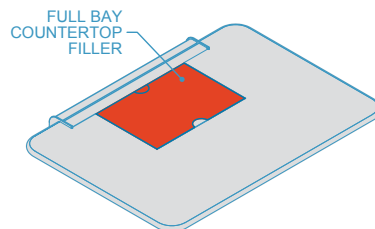
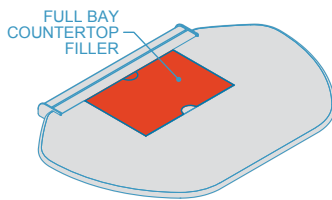
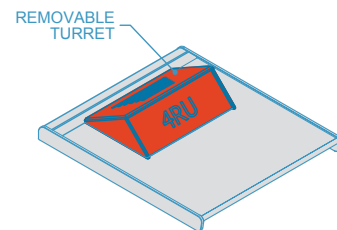
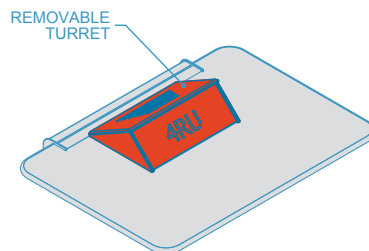
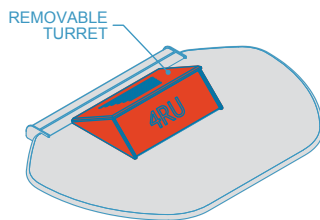
1 BAY  
FRONT VIEW



1 BAY  
REAR VIEW

## Turret and Filler Configurations

All turrets and countertop filler panels are individually removable and reconfigurable. Allowing you the most flexibility.

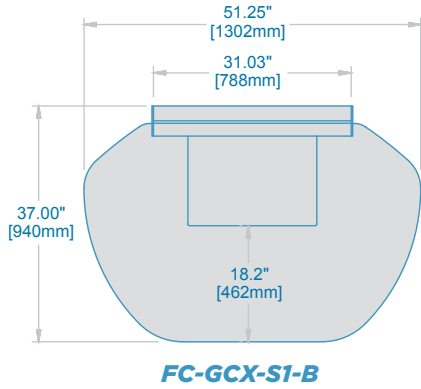


# GCX-S Sit-2-Stand™

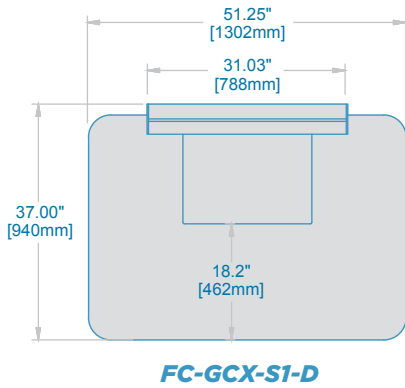
Electronic Height Adjustment



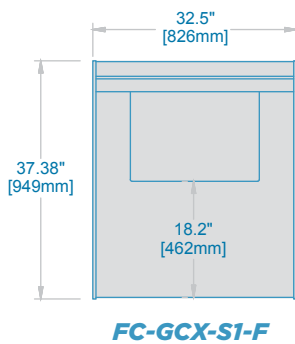
— CURVED C-TOP END DETAIL —



— SQUARED C-TOP END DETAIL —



— CAPPED C-TOP END DETAIL —



<b>FC-GCX-S1</b>			
	<b>COUNTERTOP END DETAIL</b>		
	<b>CURVED</b>	<b>SQUARED</b>	<b>CAPPED</b>
<b>WIDTH</b>	<b>52.81"</b>	<b>49.84"</b>	<b>32.03"</b>
<b>DEPTH</b>	<b>37"</b>		
<b>MAX RU's</b>	<b>10RU (1x5RU)</b>		
<b>NUMBER OF OPERATORS</b>	<b>1</b>		
<b>C-TOP DEPTH (Turret To Edge)</b>	<b>Scalloped 15.50"</b> <b>Linear 17.72"</b>		

# GCX-S Sit-2-Stand™

Electronic Height Adjustment

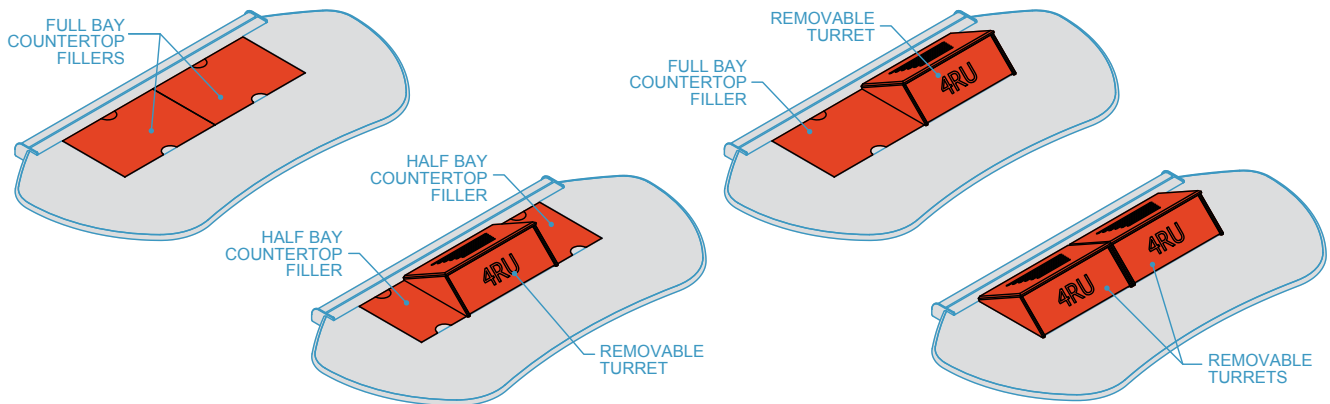


## GCX-S2



## Turret and Filler Configurations

All turrets and countertop filler panels are individually removable and reconfigurable. Allowing you the most flexibility.



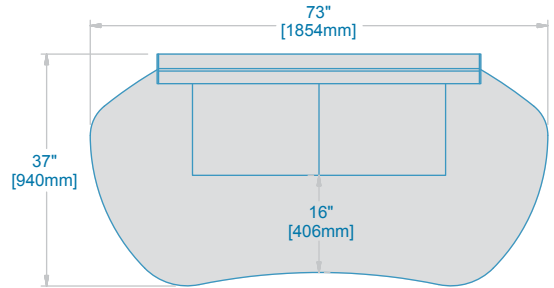
# GCX-S Sit-2-Stand™

Electronic Height Adjustment

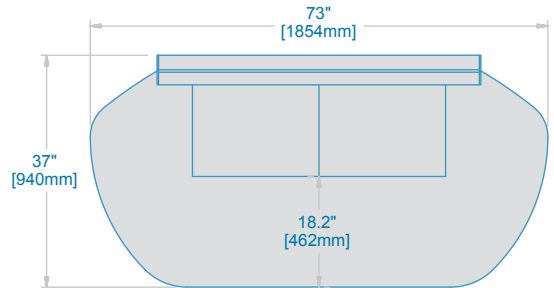


<b>FC-GCX-S2</b>			
	COUNTERTOP END DETAIL		
	CURVED	SQUARED	CAPPED
WIDTH	<b>73"</b>	<b>70"</b>	<b>52"</b>
DEPTH	<b>37"</b>		
MAX RU's	<b>10RU (2x5RU)</b>		
NUMBER OF OPERATORS	<b>1</b>		
C-TOP DEPTH (Turret To Edge)	<b>Scalloped 15.50"</b> <b>Linear 17.72"</b>		

CURVED C-TOP END DETAIL

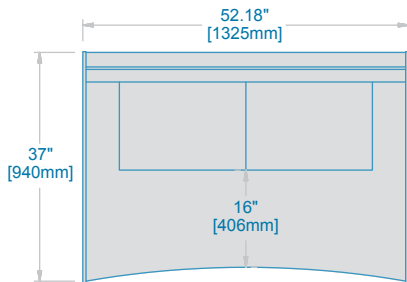


SCALLOPED C-TOP EDGE DETAIL  
**FC-GCX-S2-A**

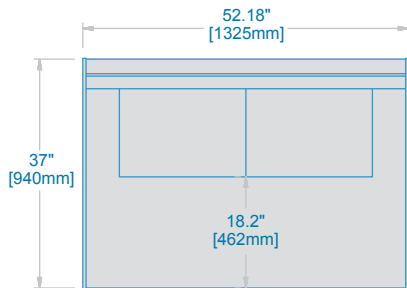


LINEAR C-TOP EDGE DETAIL  
**FC-GCX-S2-B**

CAPPED C-TOP END DETAIL

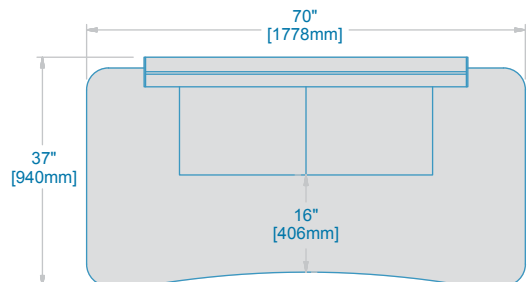


SCALLOPED C-TOP EDGE DETAIL  
**FC-GCX-S2-E**

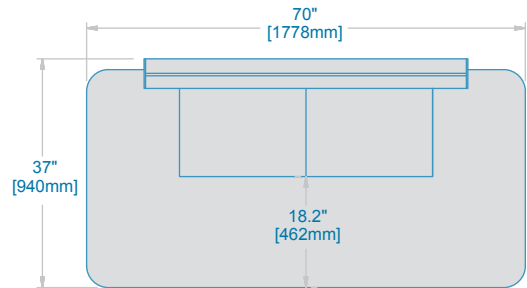


LINEAR C-TOP EDGE DETAIL  
**FC-GCX-S2-F**

SQUARED C-TOP END DETAIL



SCALLOPED C-TOP EDGE DETAIL  
**FC-GCX-S2-C**



LINEAR C-TOP EDGE DETAIL  
**FC-GCX-S2-D**

# GCX-S Sit-2-Stand™

Electronic Height Adjustment

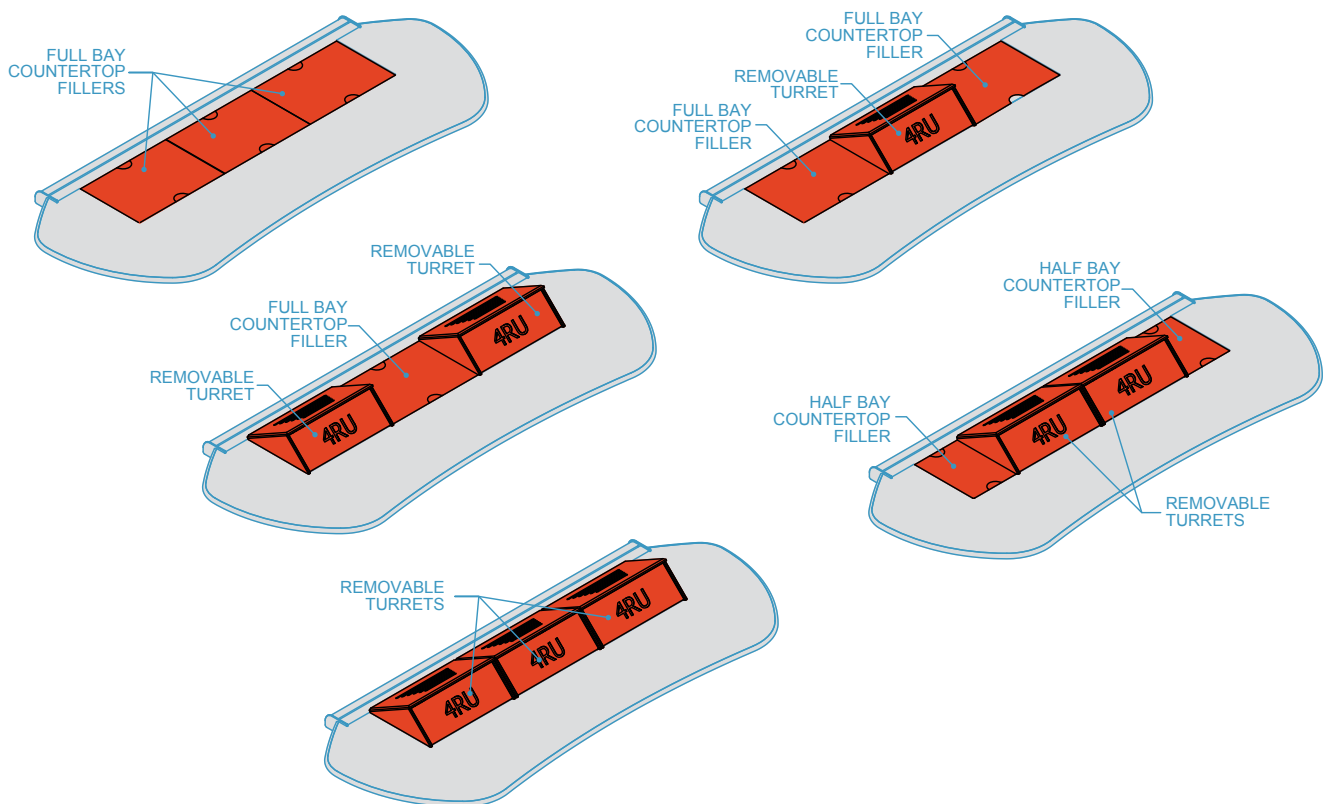


## GCX-S3



## Turret and Filler Configurations

All turrets and countertop filler panels are individually removable and reconfigurable. Allowing you the most flexibility.



All designs, plans, ideas & specifications in this drawing remain the entire property of Forecast Consoles Inc. and may not be reproduced or used in any manner without written consent.

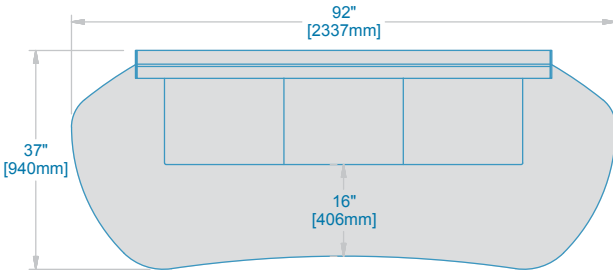
(631) 253-9000 or [info@forecast-consoles.com](mailto:info@forecast-consoles.com)

# GCX-S Sit-2-Stand™

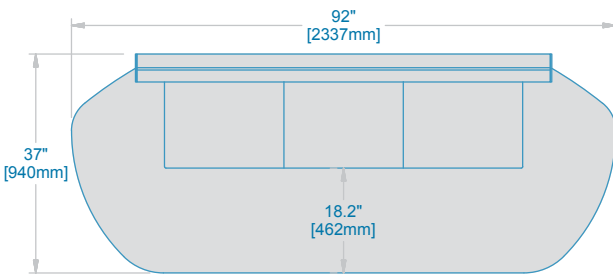
Electronic Height Adjustment



CURVED C-TOP END DETAIL

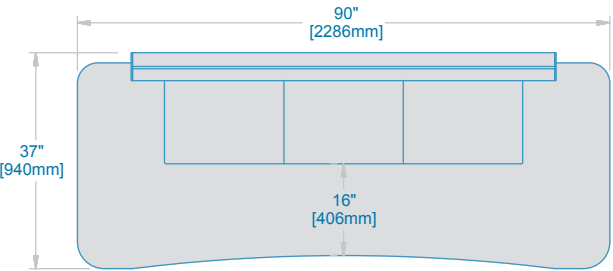


SCALLOPED C-TOP EDGE DETAIL  
**FC-GCX-S3-A**

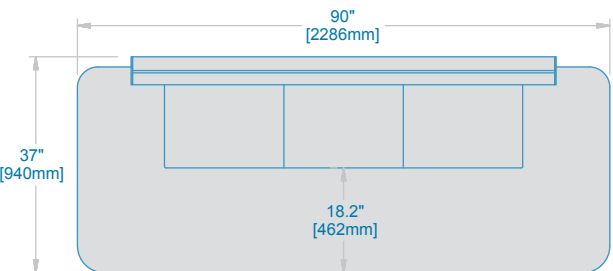


LINEAR C-TOP EDGE DETAIL  
**FC-GCX-S3-B**

SQUARED C-TOP END DETAIL

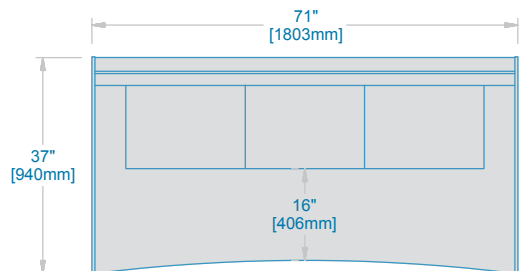


SCALLOPED C-TOP EDGE DETAIL  
**FC-GCX-S3-C**

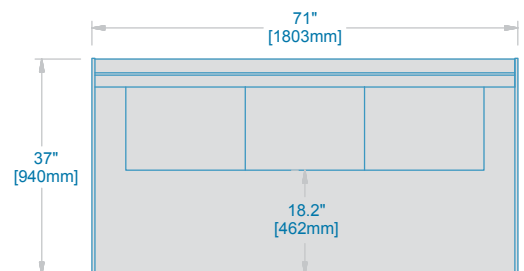


LINEAR C-TOP EDGE DETAIL  
**FC-GCX-S3-D**

CAPPED C-TOP END DETAIL



SCALLOPED C-TOP EDGE DETAIL  
**FC-GCX-S3-E**



LINEAR C-TOP EDGE DETAIL  
**FC-GCX-S3-F**

<b>FC-GCX-S3</b>			
	COUNTERTOP END DETAIL		
	CURVED	SQUARED	CAPPED
WIDTH	<b>92"</b>	<b>90"</b>	<b>72"</b>
DEPTH	<b>37"</b>		
MAX RU's	<b>15RU (3x5RU)</b>		
NUMBER OF OPERATORS	<b>1</b>		
C-TOP DEPTH (Turret To Edge)	<b>Scalloped 15.50"</b> <b>Linear 17.72"</b>		

# GCX-S Sit-2-Stand™

Electronic Height Adjustment



## GCX-S4



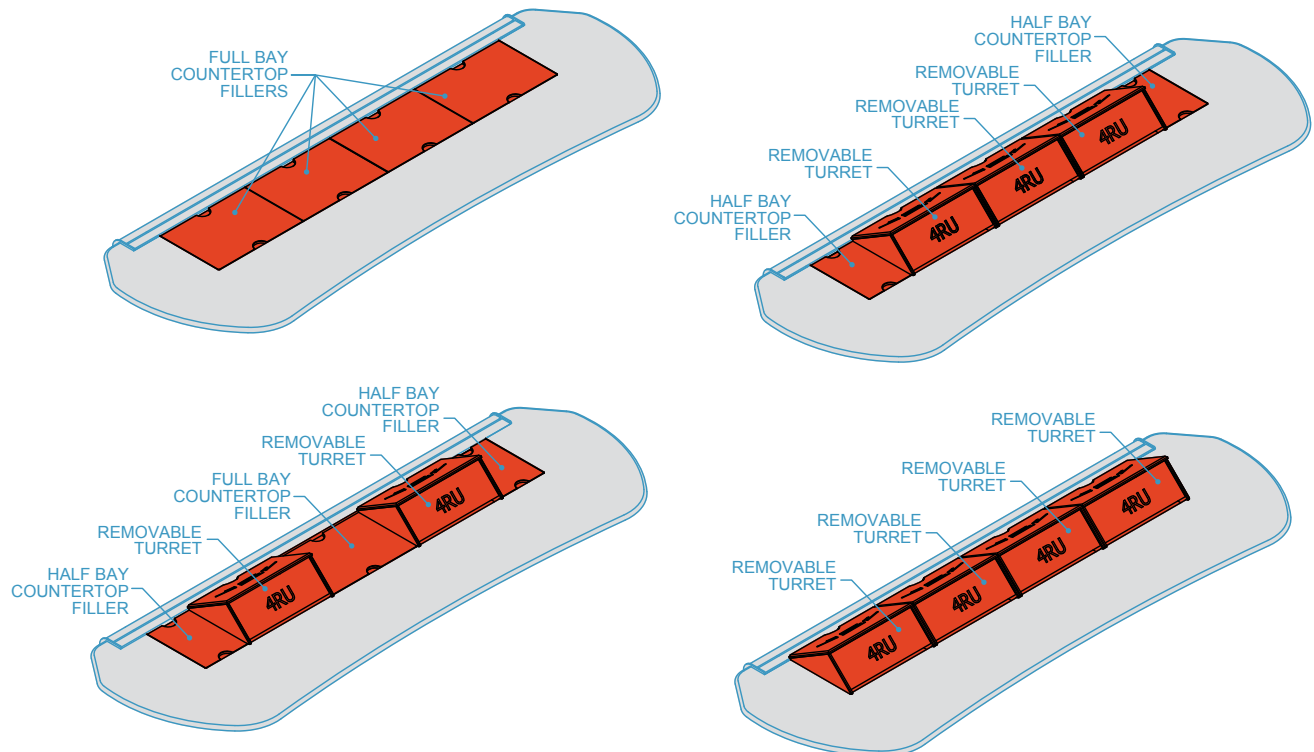
4 BAY  
FRONT VIEW



4 BAY  
REAR VIEW

## Turret and Filler Configurations

All turrets and countertop filler panels are individually removable and reconfigurable. Allowing you the most flexibility.

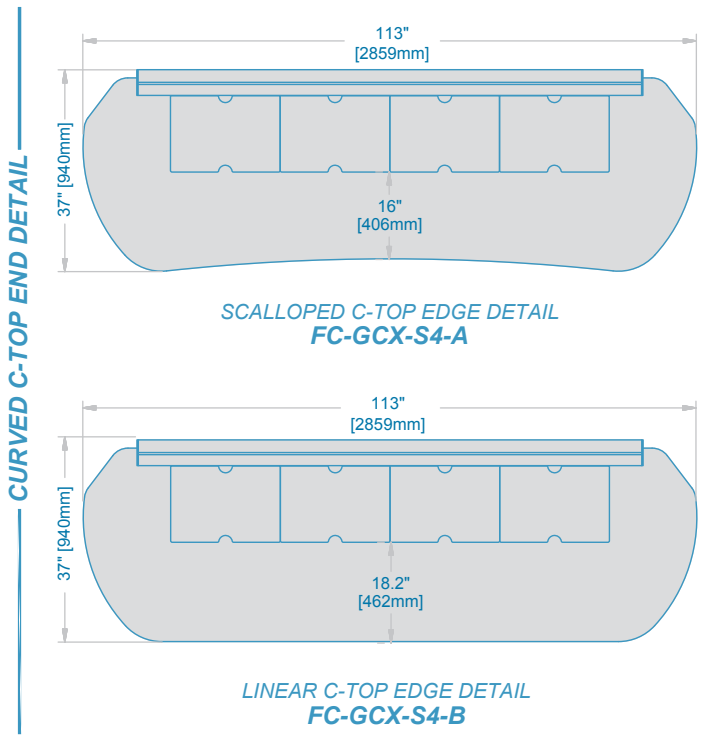


All designs, plans, ideas & specifications in this drawing remain the entire property of Forecast Consoles Inc. and may not be reproduced or used in any manner without written consent.

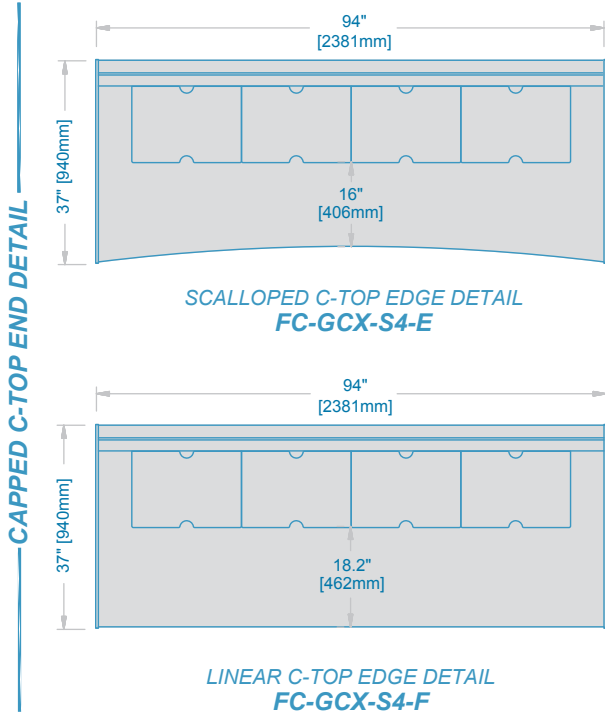
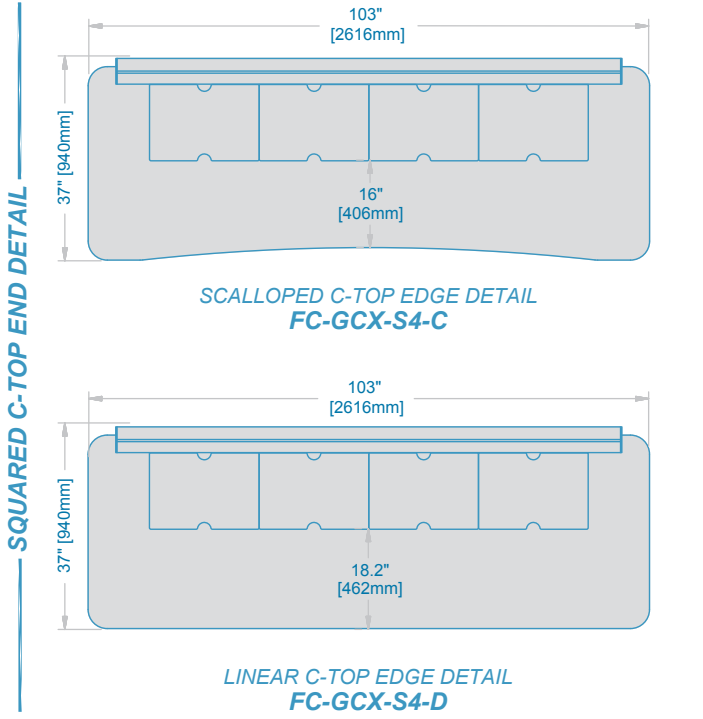
(631) 253-9000 or [info@forecast-consoles.com](mailto:info@forecast-consoles.com)

# GCX-S Sit-2-Stand™

Electronic Height Adjustment



<b>FC-GCX-S4</b>			
	COUNTERTOP END DETAIL		
	CURVED	SQUARED	CAPPED
WIDTH	<b>113"</b>	<b>103"</b>	<b>94"</b>
DEPTH	<b>37"</b>		
MAX RU's	<b>20RU (4x5RU)</b>		
NUMBER OF OPERATORS	<b>1 or 2</b>		
C-TOP DEPTH (Turret To Edge)	<b>Scalloped 16"</b> <b>Linear 18.2"</b>		





# GCX-W Workstation™

Individual Workstations



## GCX-W

- Stationary console available in 1, 2, 3 and 4 bay wide X-Chassis
- Legs have removable panels to access cables from X-Chassis to floor
- Lift-off, removable, vented turrets and filler panels available



MODEL SHOWN:  
**FC-GCX-W3-A**

# GCX-W Workstation™

Individual Workstations



## GCX-W1



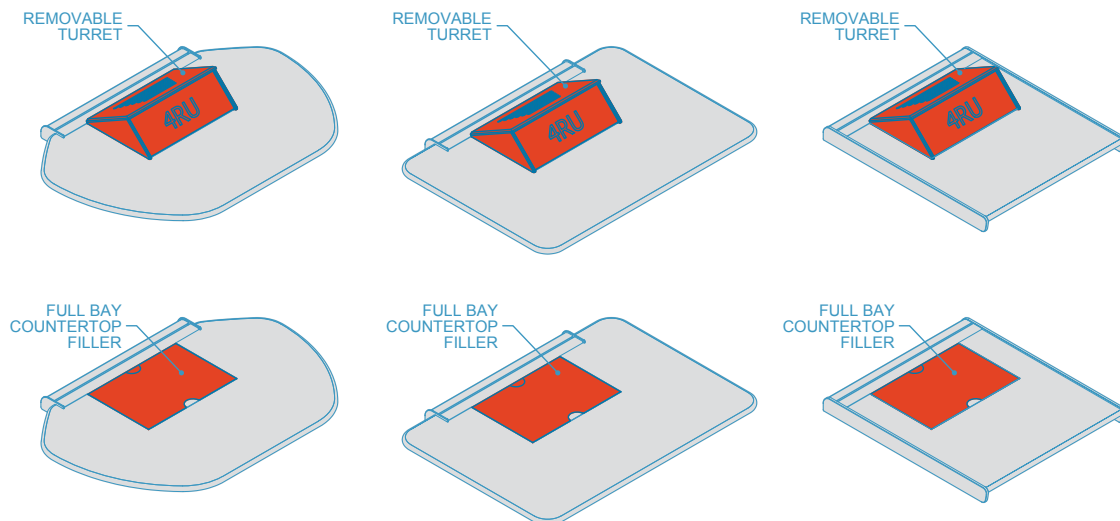
1 BAY  
FRONT VIEW



1 BAY  
REAR VIEW

## Turret and Filler Configurations

All turrets and countertop filler panels are individually removable and reconfigurable. Allowing you the most flexibility.

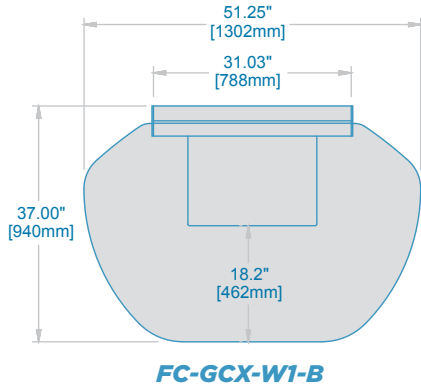


# GCX-W Workstation™

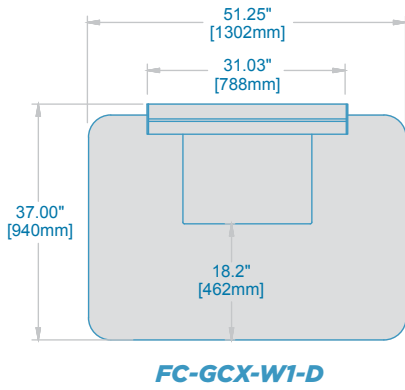
Individual Workstations



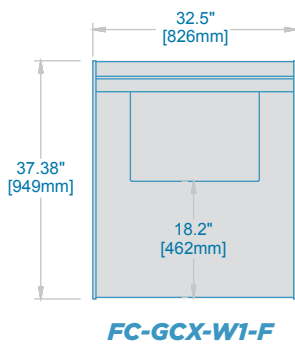
— CURVED C-TOP END DETAIL —



— SQUARED C-TOP END DETAIL —



— CAPPED C-TOP END DETAIL —



<b>FC-GCX-W1</b>			
	COUNTERTOP END DETAIL		
	CURVED	SQUARED	CAPPED
WIDTH	<b>52.81"</b>	<b>49.84"</b>	<b>32.03"</b>
DEPTH	<b>37"</b>		
MAX RU's	<b>10RU (1x5RU)</b>		
NUMBER OF OPERATORS	<b>1</b>		
C-TOP DEPTH (Turret To Edge)	<b>Scalloped 15.50"</b> <b>Linear 17.72"</b>		

# GCX-W Workstation™

Individual Workstations



## GCX-W2



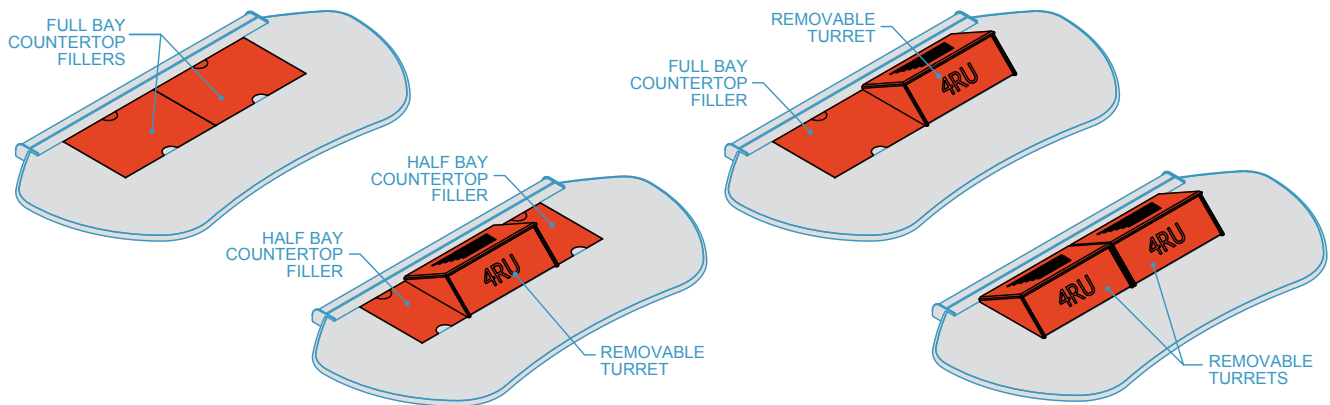
2 BAY  
FRONT VIEW



2 BAY  
REAR VIEW

## Turret and Filler Configurations

All turrets and countertop filler panels are individually removable and reconfigurable. Allowing you the most flexibility.



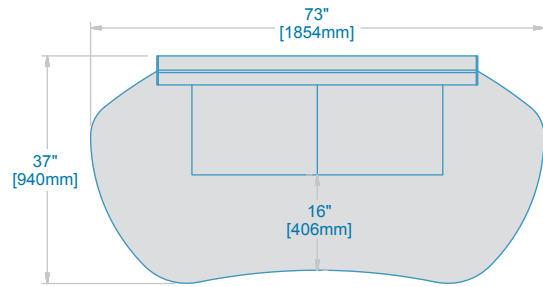
# GCX-W Workstation™

Individual Workstations



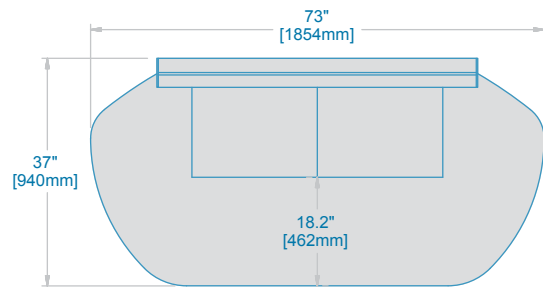
<b>FC-GCX-W2</b>			
	COUNTERTOP END DETAIL		
	CURVED	SQUARED	CAPPED
WIDTH	<b>73"</b>	<b>70"</b>	<b>52"</b>
DEPTH	<b>37"</b>		
MAX RU's	<b>10RU (2x5RU)</b>		
NUMBER OF OPERATORS	<b>1</b>		
C-TOP DEPTH (Turret To Edge)	<b>Scalloped 15.50"</b> <b>Linear 17.66"</b>		

CURVED C-TOP END DETAIL



SCALLOPED C-TOP EDGE DETAIL

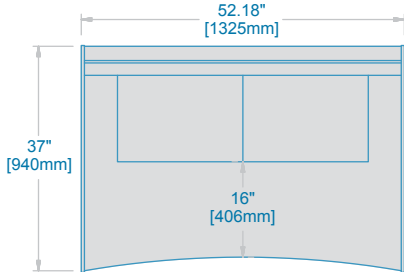
**FC-GCX-W2-A**



LINEAR C-TOP EDGE DETAIL

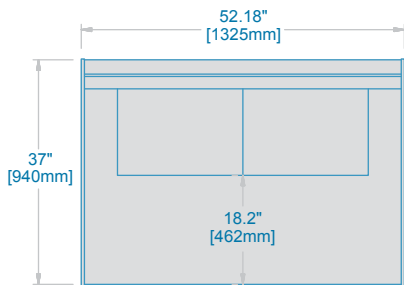
**FC-GCX-W2-B**

CAPPED C-TOP END DETAIL



SCALLOPED C-TOP EDGE DETAIL

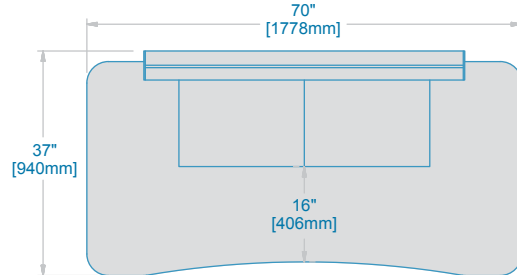
**FC-GCX-W2-E**



LINEAR C-TOP EDGE DETAIL

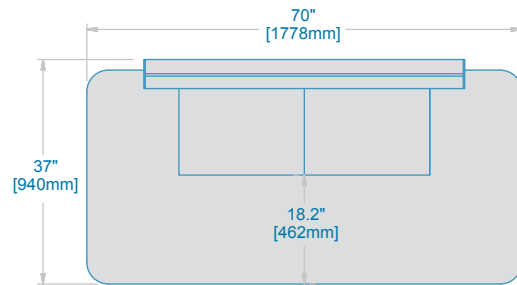
**FC-GCX-W2-F**

SQUARED C-TOP END DETAIL



SCALLOPED C-TOP EDGE DETAIL

**FC-GCX-W2-C**



LINEAR C-TOP EDGE DETAIL

**FC-GCX-W2-D**

# GCX-W Workstation™

Individual Workstations

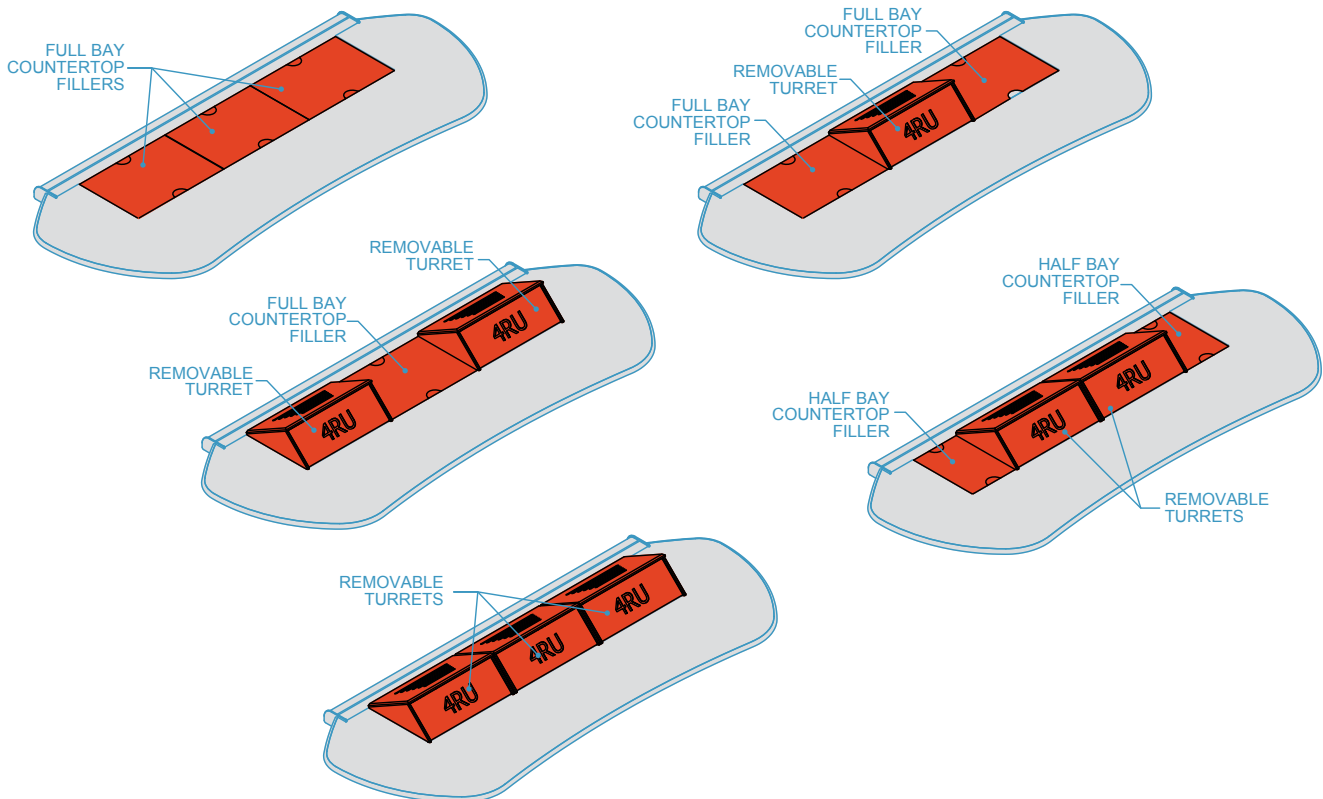


## GCX-W3



## Turret and Filler Configurations

All turrets and countertop filler panels are individually removable and reconfigurable. Allowing you the most flexibility.



All designs, plans, ideas & specifications in this drawing remain the entire property of Forecast Consoles Inc. and may not be reproduced or used in any manner without written consent.

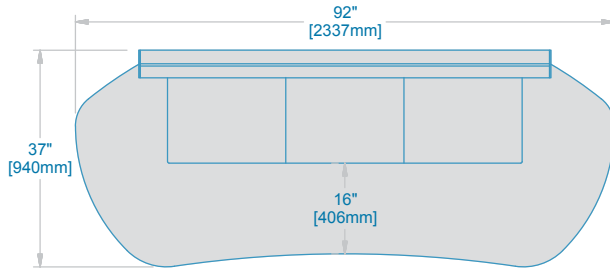
(631) 253-9000 or [info@forecast-consoles.com](mailto:info@forecast-consoles.com)

# GCX-W Workstation™

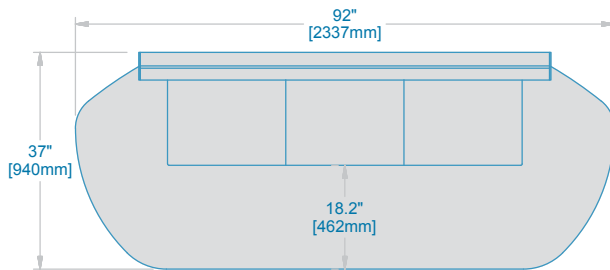
Individual Workstations



CURVED C-TOP END DETAIL

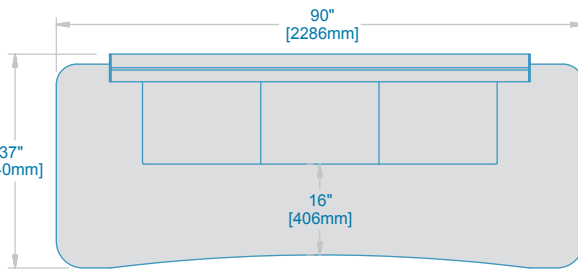


SCALLOPED C-TOP EDGE DETAIL  
**FC-GCX-W3-A**

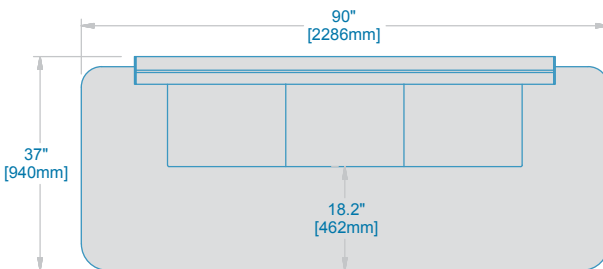


LINEAR C-TOP EDGE DETAIL  
**FC-GCX-W3-B**

SQUARED C-TOP END DETAIL

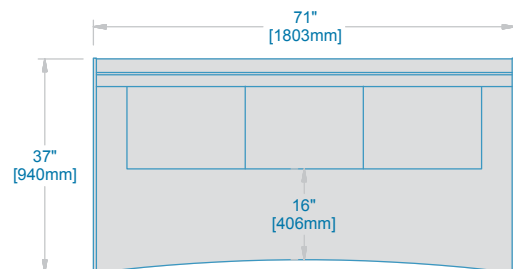


SCALLOPED C-TOP EDGE DETAIL  
**FC-GCX-W3-C**

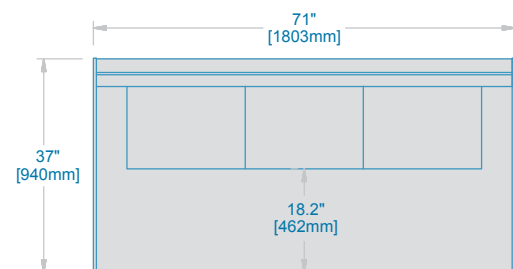


LINEAR C-TOP EDGE DETAIL  
**FC-GCX-W3-D**

CAPPED C-TOP END DETAIL



SCALLOPED C-TOP EDGE DETAIL  
**FC-GCX-W3-E**



LINEAR C-TOP EDGE DETAIL  
**FC-GCX-W3-F**

<b>FC-GCX-W3</b>			
	COUNTERTOP END DETAIL		
	CURVED	SQUARED	CAPPED
WIDTH	<b>92"</b>	<b>90"</b>	<b>72"</b>
DEPTH	<b>37"</b>		
MAX RU's	<b>15RU (3x5RU)</b>		
NUMBER OF OPERATORS	<b>1</b>		
C-TOP DEPTH (Turret To Edge)	<b>Scalloped 15.50"</b> <b>Linear 17.72"</b>		

# GCX-W Workstation™

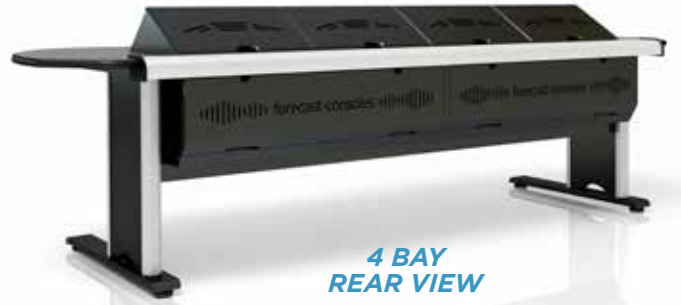
Individual Workstations



## GCX-W4



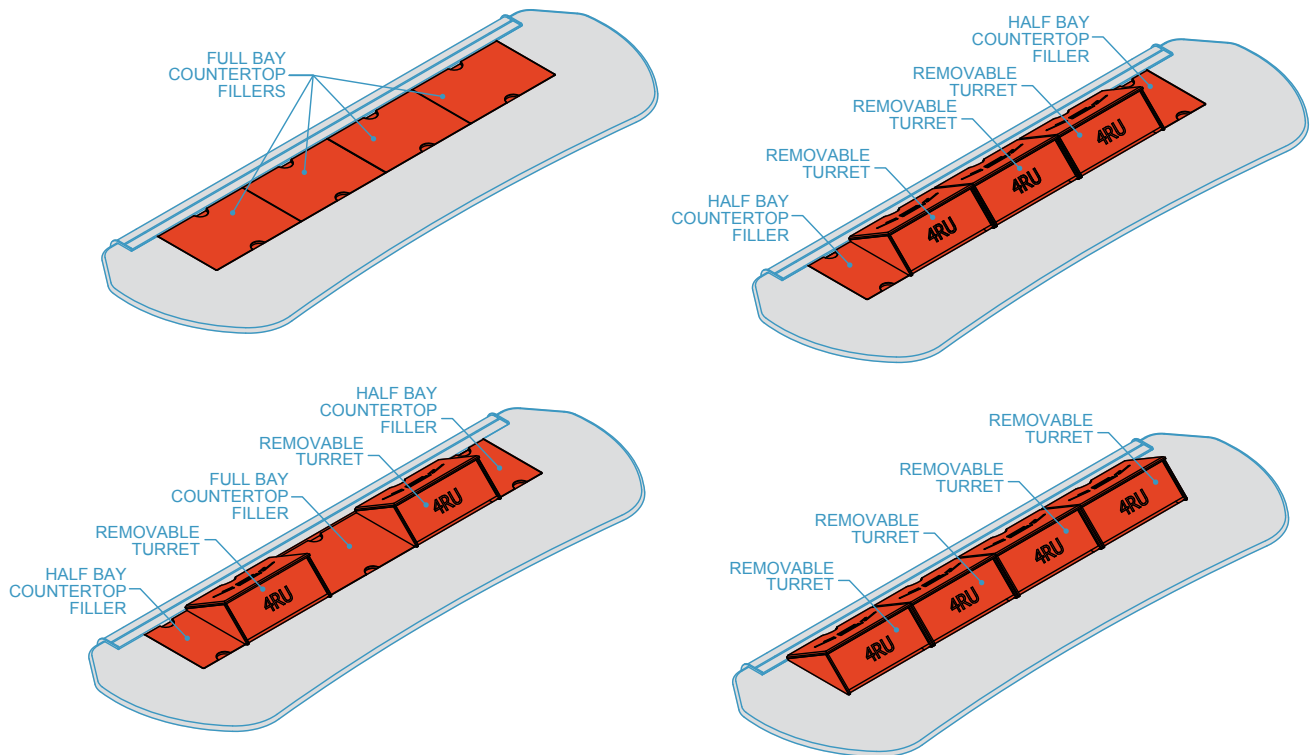
4 BAY  
FRONT VIEW



4 BAY  
REAR VIEW

## Turret and Filler Configurations

All turrets and countertop filler panels are individually removable and reconfigurable. Allowing you the most flexibility.

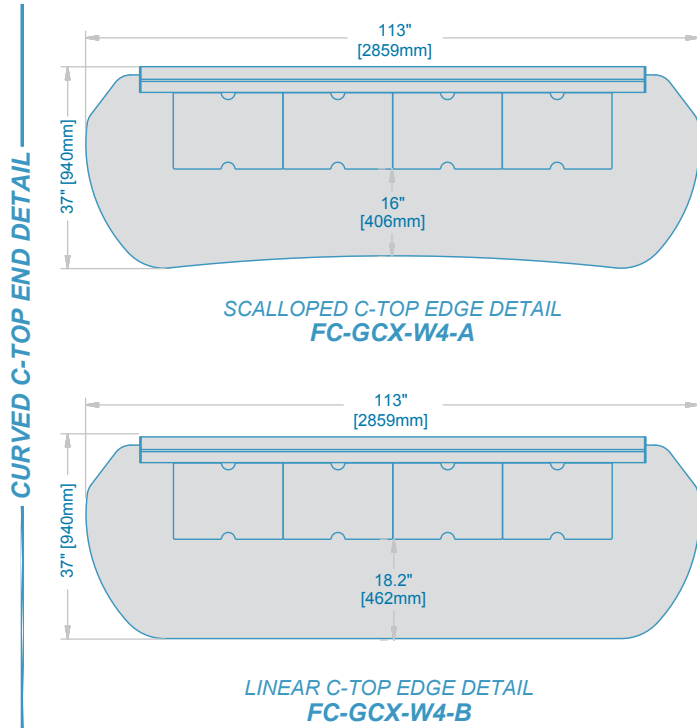


All designs, plans, ideas & specifications in this drawing remain the entire property of Forecast Consoles Inc. and may not be reproduced or used in any manner without written consent.

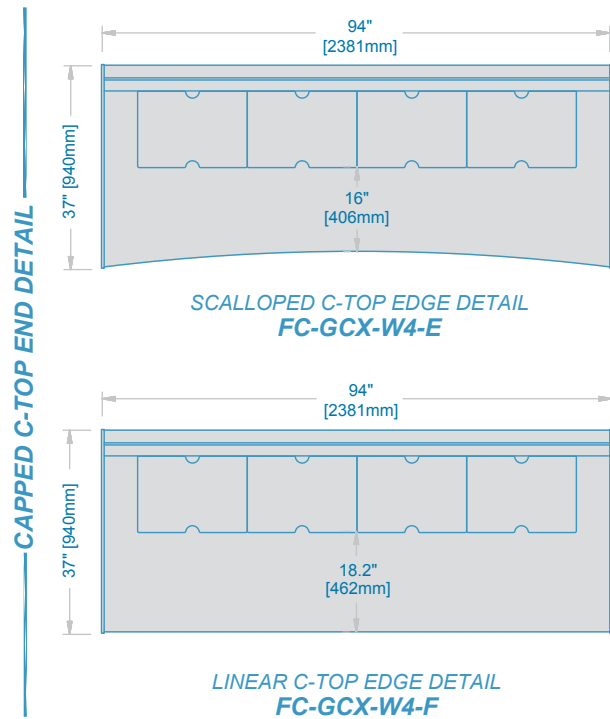
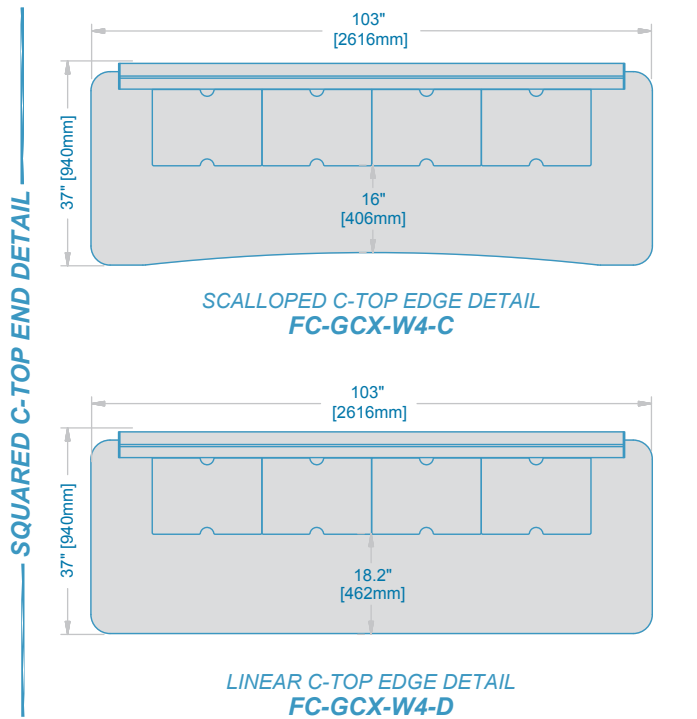
(631) 253-9000 or [info@forecast-consoles.com](mailto:info@forecast-consoles.com)

# GCX-W Workstation™

Individual Workstations



<b>FC-GCX-W4</b>			
	<b>COUNTERTOP END DETAIL</b>		
	<b>CURVED</b>	<b>SQUARED</b>	<b>CAPPED</b>
<b>WIDTH</b>	<b>113"</b>	<b>103"</b>	<b>94"</b>
<b>DEPTH</b>	<b>37"</b>		
<b>MAX RU's</b>	<b>20RU (4x5RU)</b>		
<b>NUMBER OF OPERATORS</b>	<b>1 or 2</b>		
<b>C-TOP DEPTH (Turret To Edge)</b>	<b>Scalloped 16" Linear 18.2"</b>		





C

**Continuum**  
*Expandable and  
Configurable*

# GCX-C Continuum™

Expandable and Configurable



## GCX-C

- Infinitely expandable and configurable console
- Based on combining 1, 2, 3 and 4 bay wide X-Chassis' to create a fully customized console
- Can be configured in any shape or size to compliment any room

# GCX-C Continuum™

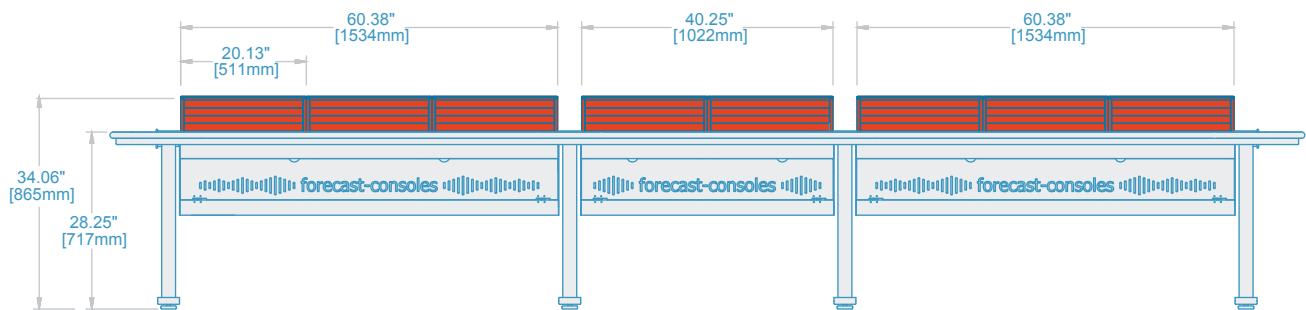
Expandable and Configurable



*Continuum is based on combining 1, 2, 3 and 4 bay X-Chassis' to create a fully customized console*



MODEL SHOWN:  
**FC-GCX-C323**



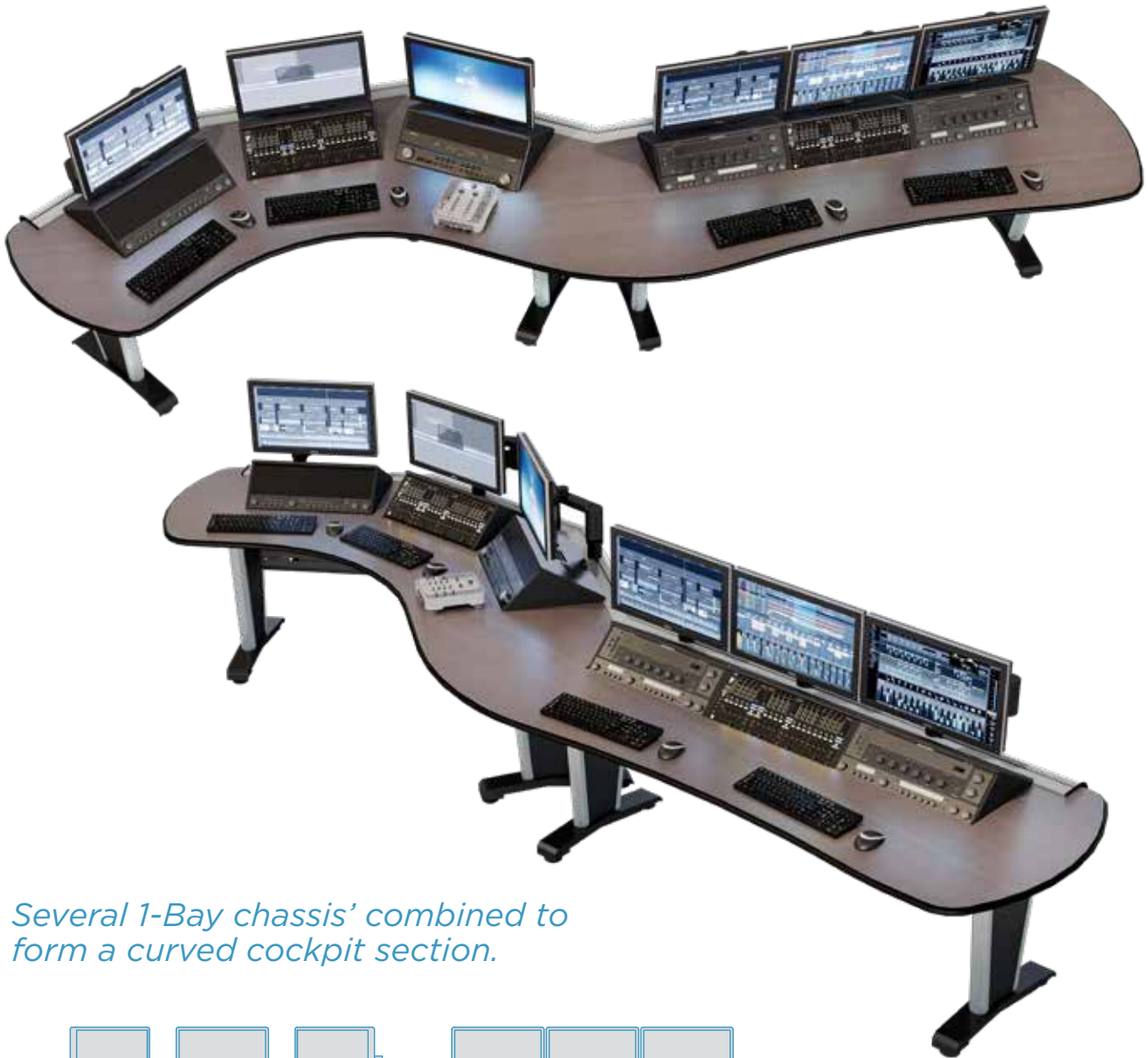
**FRONT VIEW**

All designs, plans, ideas & specifications in this drawing remain the entire property of Forecast Consoles Inc. and may not be reproduced or used in any manner without written consent.

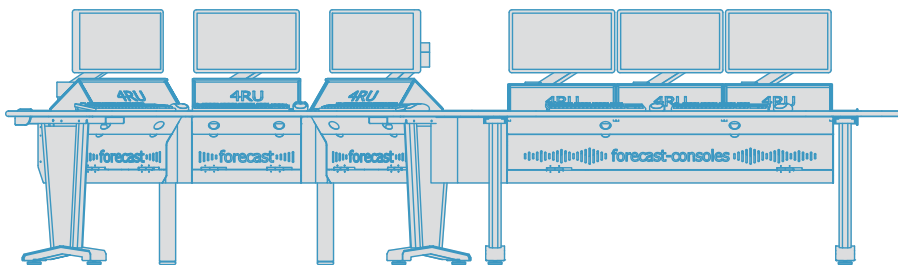
(631) 253-9000 or [info@forecast-consoles.com](mailto:info@forecast-consoles.com)

# GCX-C Continuum™

Expandable and Configurable



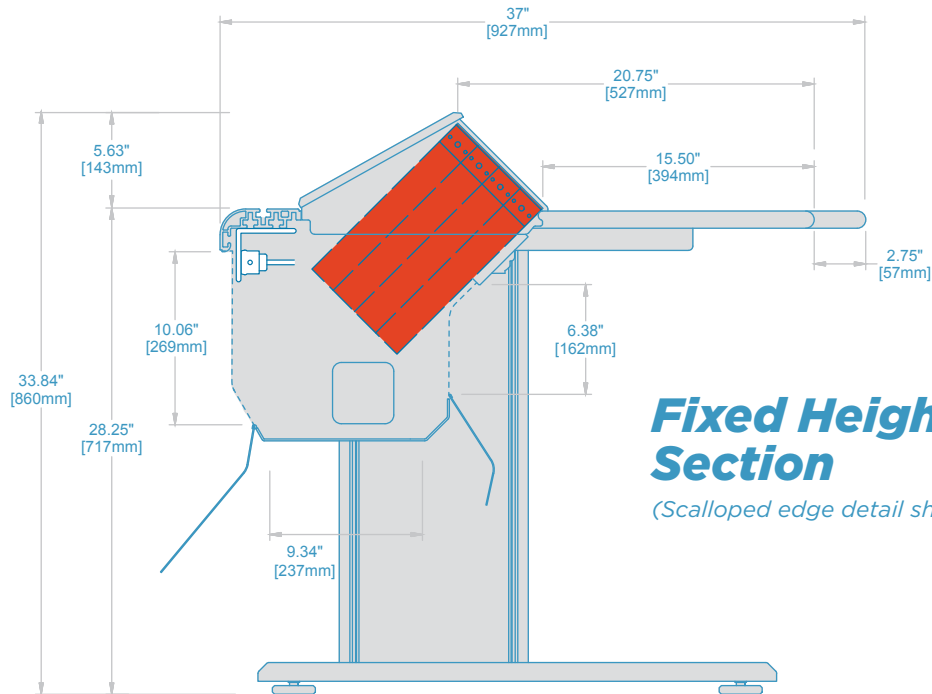
*Several 1-Bay chassis' combined to form a curved cockpit section.*



**FRONT VIEW**

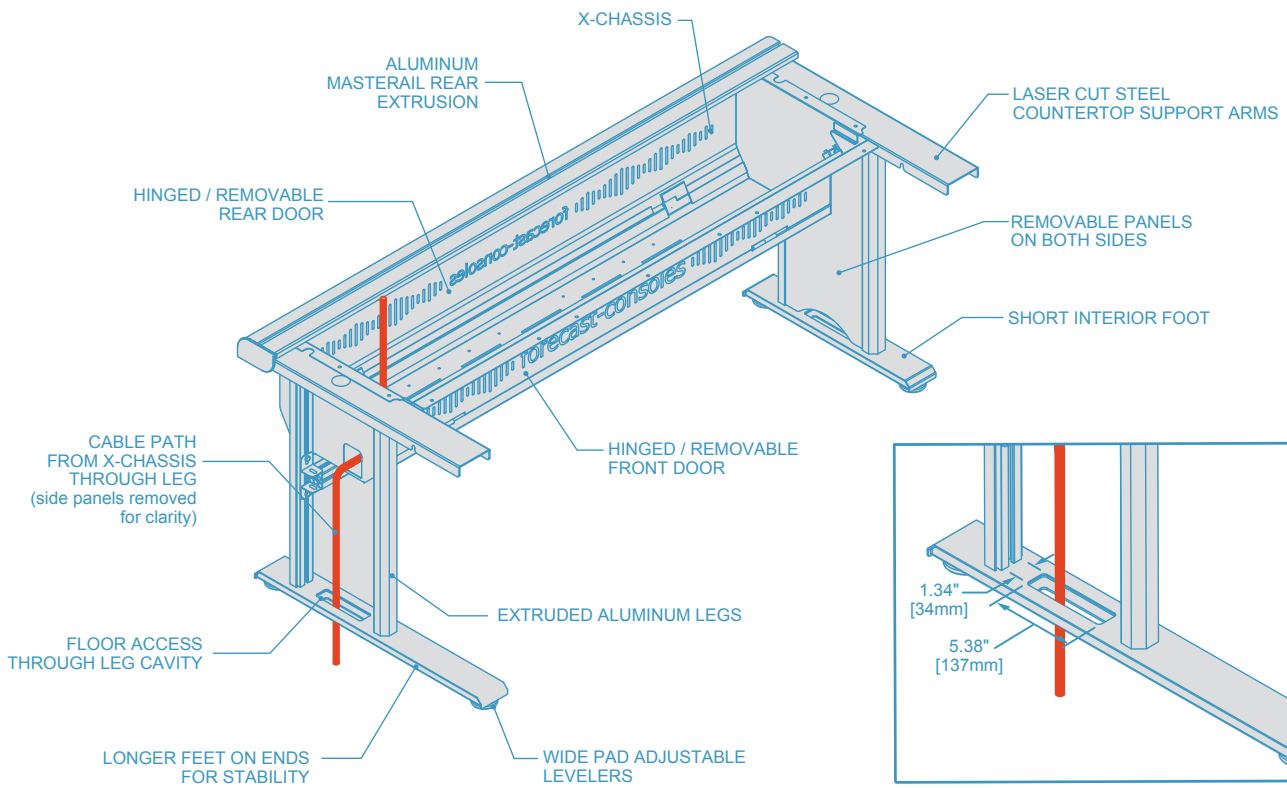
# GCX-C Continuum™

Expandable and Configurable



## Fixed Height Section

(Scalloped edge detail shown)



All designs, plans, ideas & specifications in this drawing remain the entire property of Forecast Consoles Inc. and may not be reproduced or used in any manner without written consent.

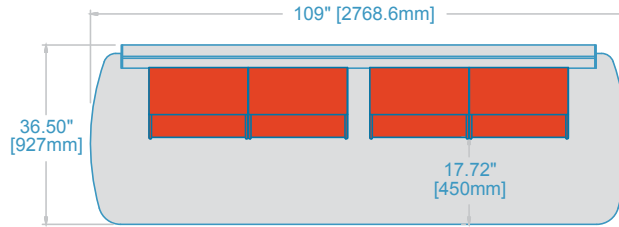
(631) 253-9000 or [info@forecast-consoles.com](mailto:info@forecast-consoles.com)

# GCX-C Continuum™

Expandable and Configurable

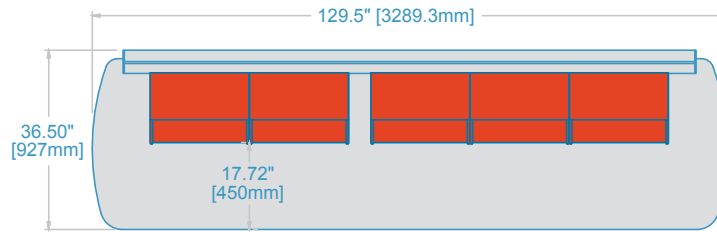


## FC-GCX-C22



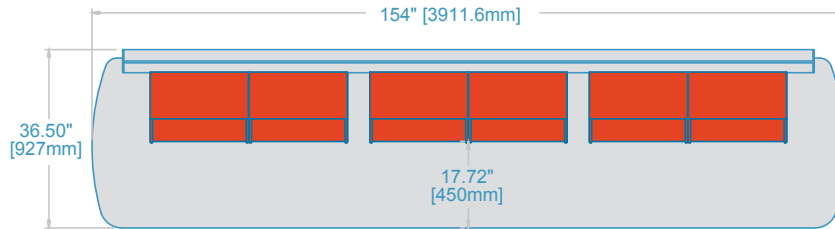
LINEAR C-TOP EDGE DETAIL

## FC-GCX-C23



LINEAR C-TOP EDGE DETAIL

## FC-GCX-C222



LINEAR C-TOP EDGE DETAIL

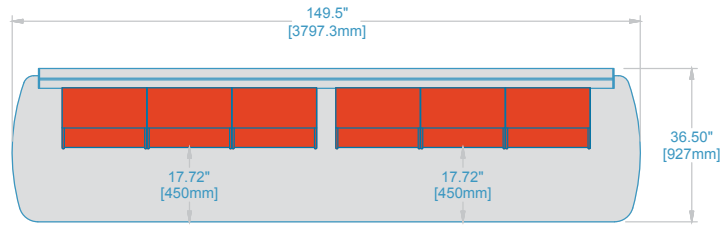
FC-GCX-C22				FC-GCX-C23				FC-GCX-C222			
	COUNTERTOP END DETAIL				COUNTERTOP END DETAIL				COUNTERTOP END DETAIL		
	CURVED	SQUARED	CAPPED		CURVED	SQUARED	CAPPED		CURVED	SQUARED	CAPPED
WIDTH	109"	107"	97"	WIDTH	129.5"	126.5"	117"	WIDTH	154"	151.5"	142"
DEPTH	36.50"			DEPTH	36.50"			DEPTH	36.50"		
MAX RU's	20RU (4x5RU)			MAX RU's	25RU (5x5RU)			MAX RU's	30RU (6x5RU)		
NUMBER OF OPERATORS	2			NUMBER OF OPERATORS	2			NUMBER OF OPERATORS	3		
C-TOP DEPTH (Turret To Edge)	Scalloped 15.50" Linear 17.72"			C-TOP DEPTH (Turret To Edge)	Scalloped 15.50" Linear 17.72"			C-TOP DEPTH (Turret To Edge)	Scalloped 15.50" Linear 17.72"		

# GCX-C Continuum™

Expandable and Configurable

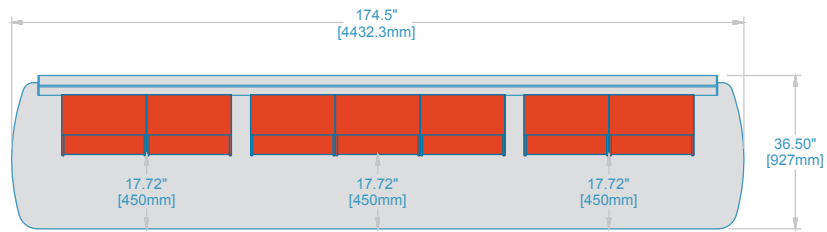


## FC-GCX-C33



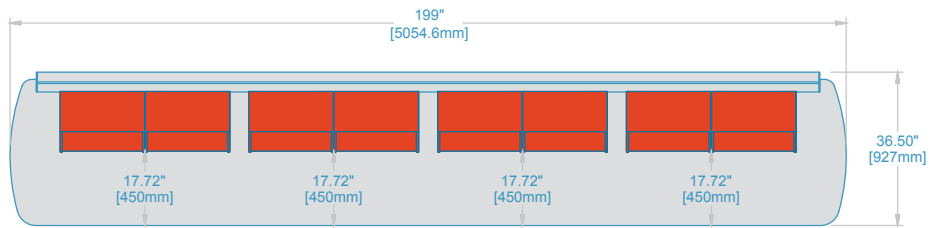
LINEAR C-TOP EDGE DETAIL

## FC-GCX-C232



LINEAR C-TOP EDGE DETAIL

## FC-GCX-C2222



LINEAR C-TOP EDGE DETAIL

FC-GCX-C33			
	COUNTERTOP END DETAIL		
	CURVED	SQUARED	CAPPED
WIDTH	149.5"	147"	137.5"
DEPTH	36.50"		
MAX RU's	30RU (6x5RU)		
NUMBER OF OPERATORS	2-3		
C-TOP DEPTH (Turret To Edge)	Scalloped 15.50" Linear 17.72"		

FC-GCX-C232			
	COUNTERTOP END DETAIL		
	CURVED	SQUARED	CAPPED
WIDTH	174.5"	171.75"	162.25"
DEPTH	36.50"		
MAX RU's	35RU (7x5RU)		
NUMBER OF OPERATORS	3 - 5		
C-TOP DEPTH (Turret To Edge)	Scalloped 15.50" Linear 17.72"		

FC-GCX-C2222			
	COUNTERTOP END DETAIL		
	CURVED	SQUARED	CAPPED
WIDTH	199"	196.5"	187"
DEPTH	36.50"		
MAX RU's	40RU (8x5RU)		
NUMBER OF OPERATORS	4 - 6		
C-TOP DEPTH (Turret To Edge)	Scalloped 15.50" Linear 17.72"		

All designs, plans, ideas & specifications in this drawing remain the entire property of Forecast Consoles Inc. and may not be reproduced or used in any manner without written consent.

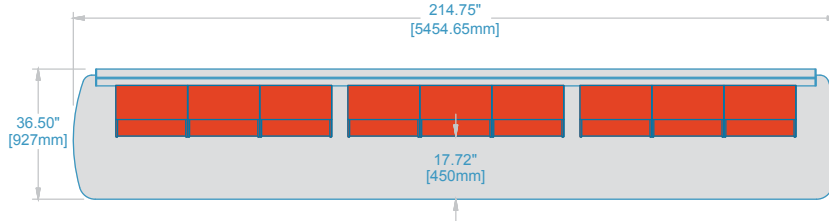
(631) 253-9000 or [info@forecast-consoles.com](mailto:info@forecast-consoles.com)

# GCX-C Continuum™

Expandable and Configurable

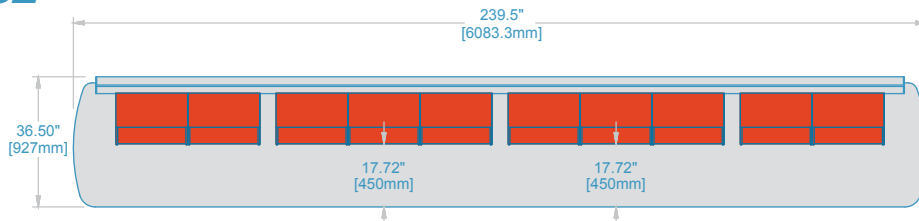


## FC-GCX-C333



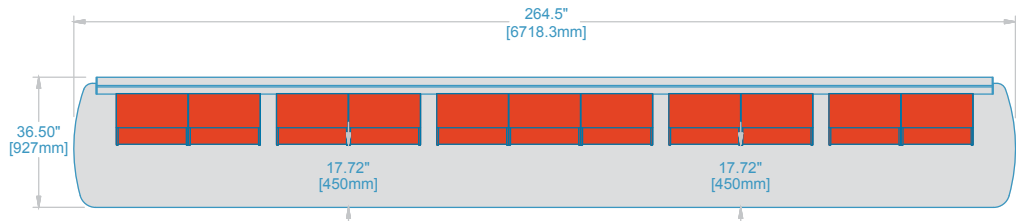
LINEAR C-TOP EDGE DETAIL

## FC-GCX-C2332



LINEAR C-TOP EDGE DETAIL

## FC-GCX-C22322



LINEAR C-TOP EDGE DETAIL

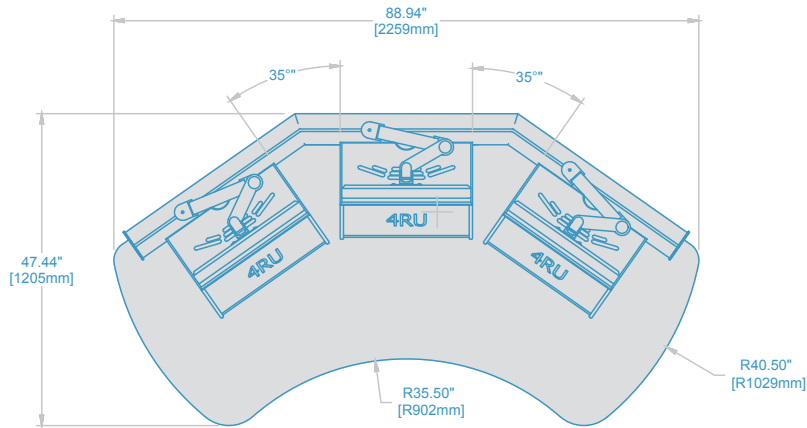
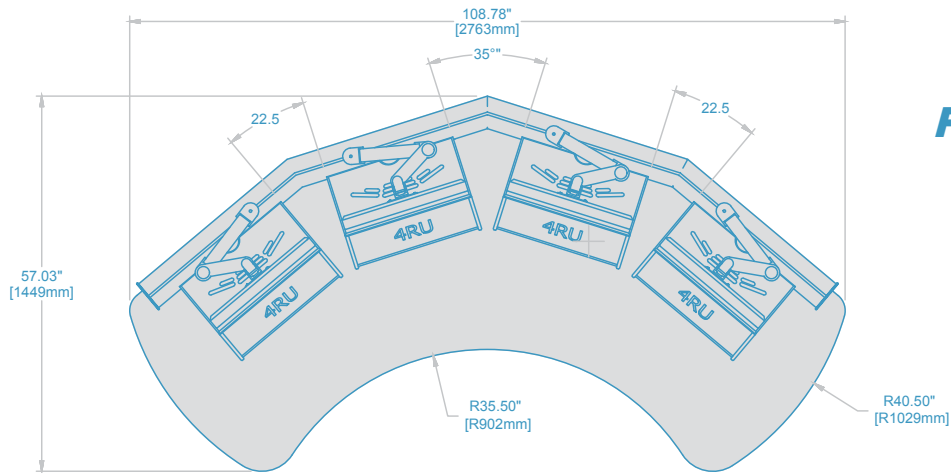
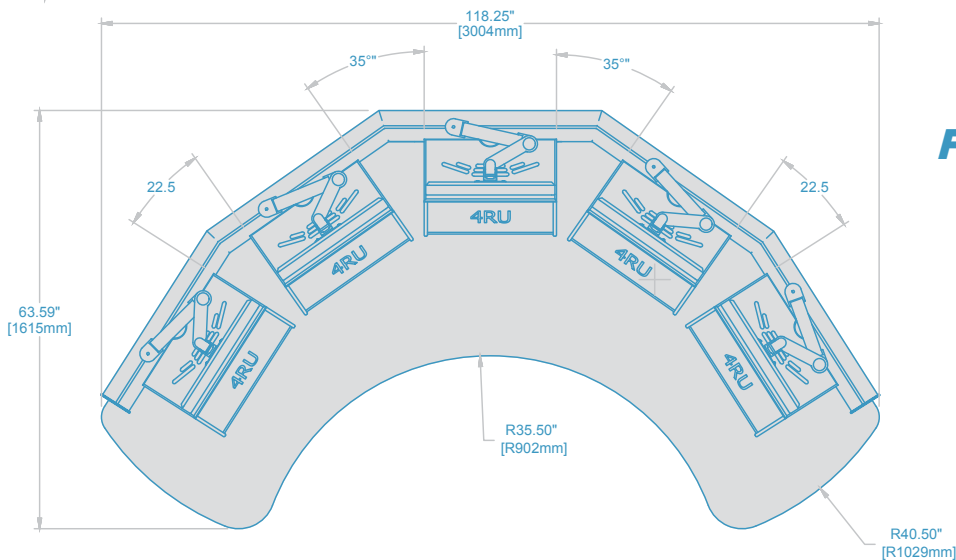
FC-GCX-C333			
	COUNTERTOP END DETAIL		
	CURVED	SQUARED	CAPPED
WIDTH	214.75"	212"	202.5"
DEPTH	36.50"		
MAX RU's	45RU (9x5RU)		
NUMBER OF OPERATORS	3 - 4		
C-TOP DEPTH (Turret To Edge)	Scalloped 15.50" Linear 17.72"		

FC-GCX-C2332			
	COUNTERTOP END DETAIL		
	CURVED	SQUARED	CAPPED
WIDTH	239.5"	237"	227.5"
DEPTH	36.50"		
MAX RU's	50RU (10x5RU)		
NUMBER OF OPERATORS	4 - 5		
C-TOP DEPTH (Turret To Edge)	Scalloped 15.50" Linear 17.72"		

FC-GCX-C22322			
	COUNTERTOP END DETAIL		
	CURVED	SQUARED	CAPPED
WIDTH	264.5"	261.75"	252"
DEPTH	36.50"		
MAX RU's	55RU (11x5RU)		
NUMBER OF OPERATORS	5 - 6		
C-TOP DEPTH (Turret To Edge)	Scalloped 15.50" Linear 17.72"		

# GCX-C Continuum™

Expandable and Configurable

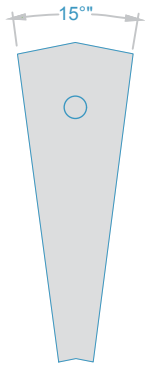
**FC-GCX-C13****FC-GCX-C14****FC-GCX-C15**

All designs, plans, ideas & specifications in this drawing remain the entire property of Forecast Consoles Inc. and may not be reproduced or used in any manner without written consent.

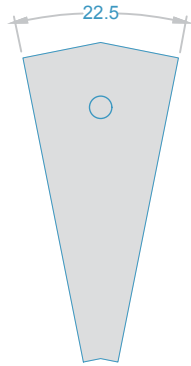
(631) 253-9000 or [info@forecast-consoles.com](mailto:info@forecast-consoles.com)

# GCX-C Continuum™

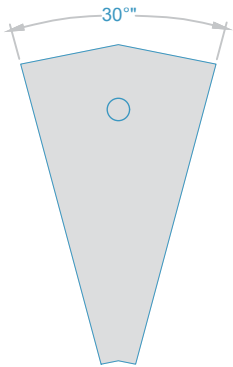
Expandable and Configurable



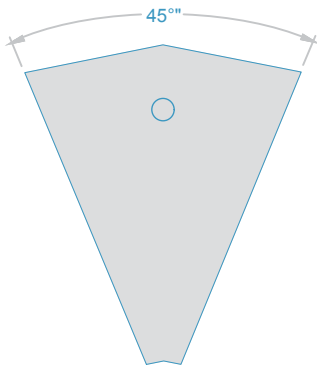
**FC-GCX-TR-15**  
(15° transition angle)



**FC-GCX-TR-22.5**  
(22.5° transition angle)

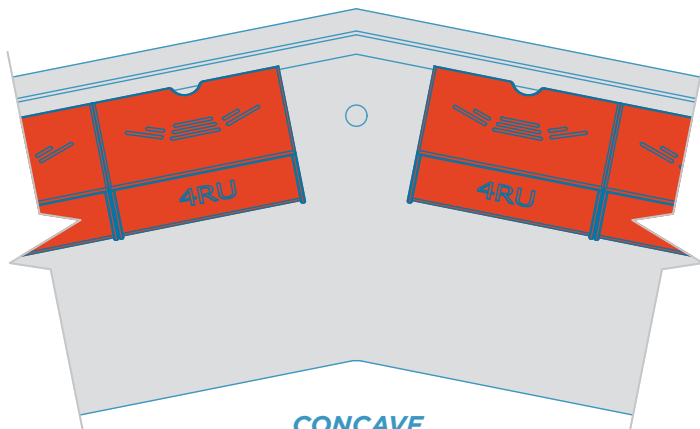
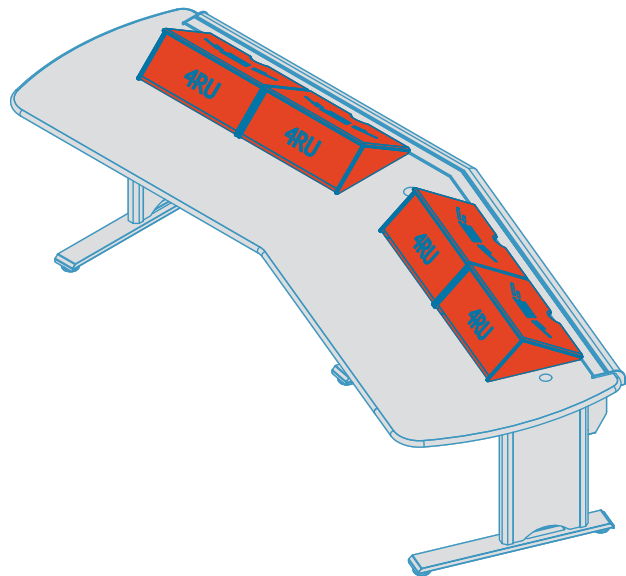


**FC-GCX-TR-30**  
(30° transition angle)

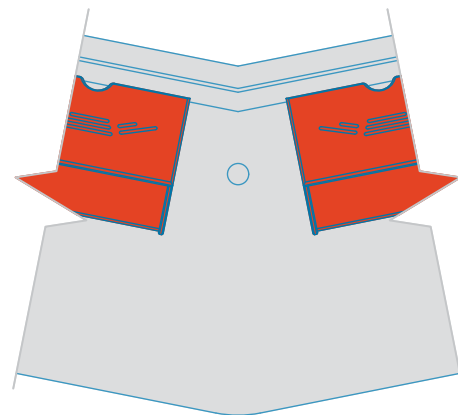


**FC-GCX-TR-45**  
(45° transition angle)

Transitions offered in four angles to build concave or convex curves



**CONCAVE**  
(Towards the user)



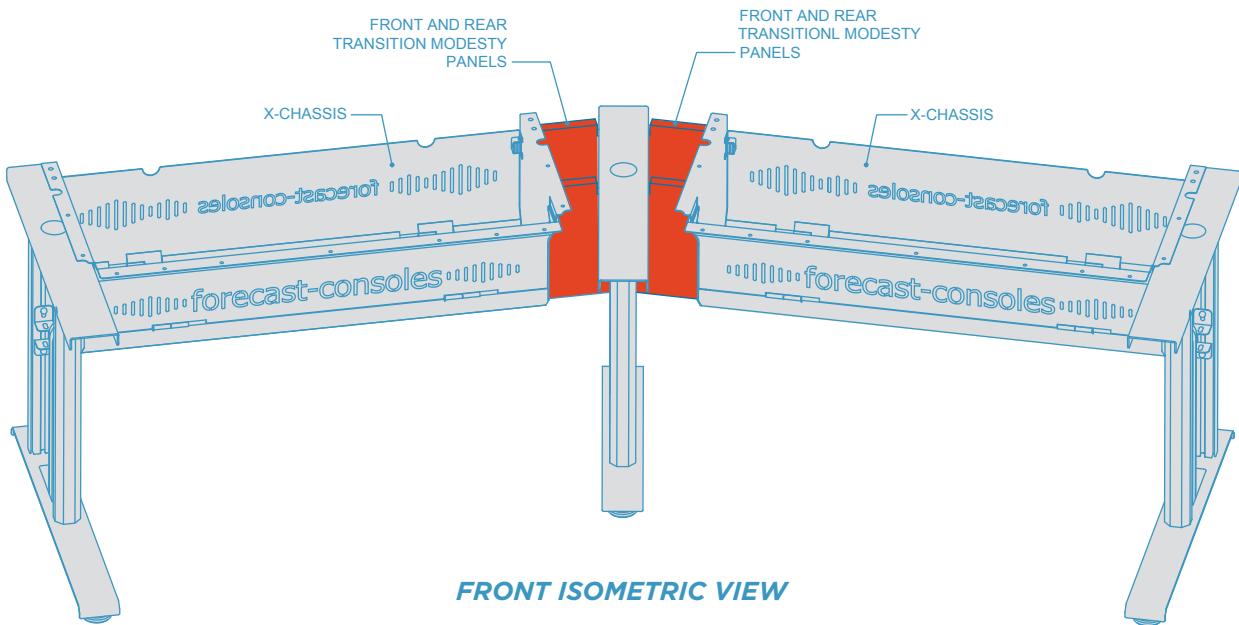
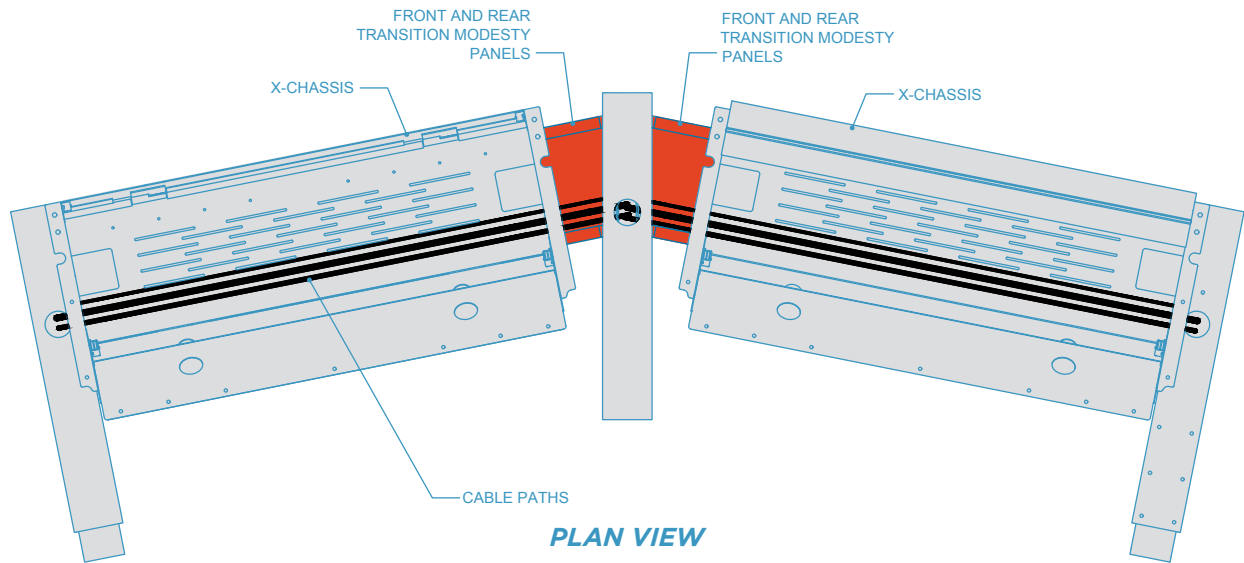
**CONVEX**  
(Away from user)

# GCX-C Continuum™

Expandable and Configurable



Removable modesty panels hide cables between transitions



All designs, plans, ideas & specifications in this drawing remain the entire property of Forecast Consoles Inc. and may not be reproduced or used in any manner without written consent.

(631) 253-9000 or [info@forecast-consoles.com](mailto:info@forecast-consoles.com)

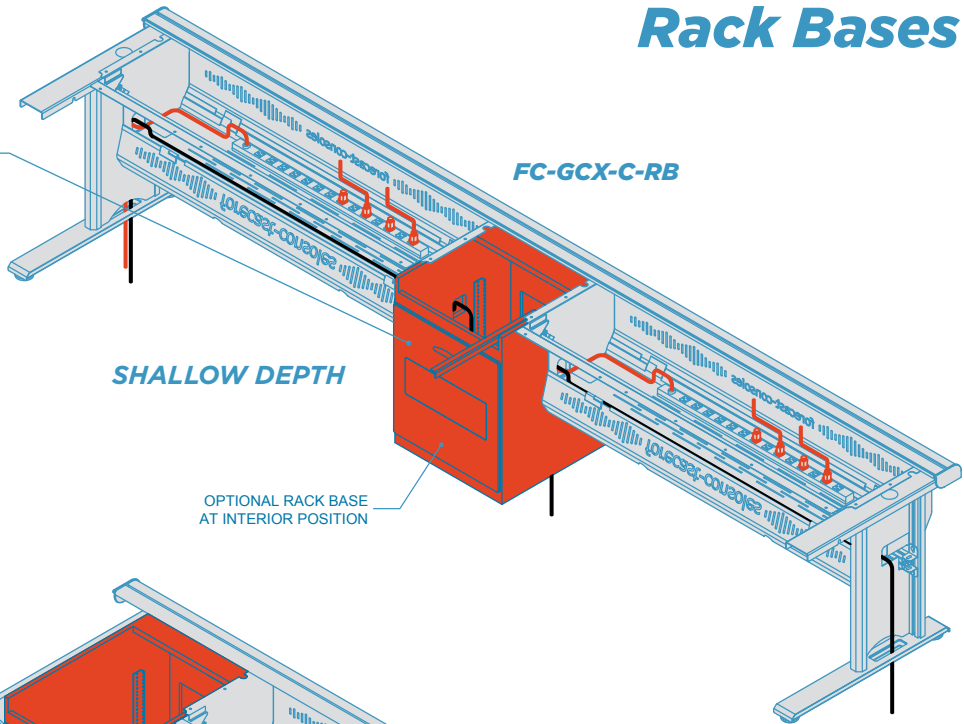
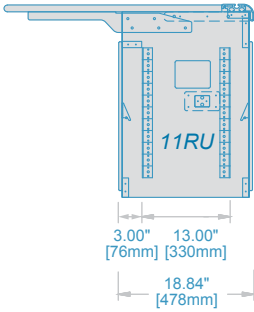
# GCX-C Continuum™

Expandable and Configurable

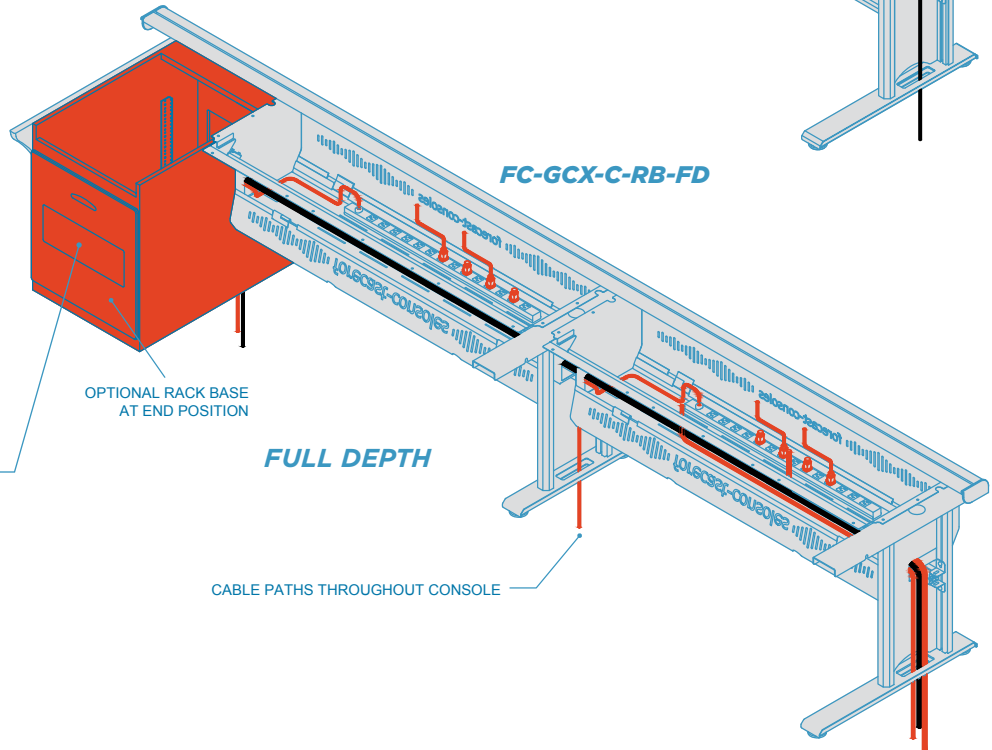
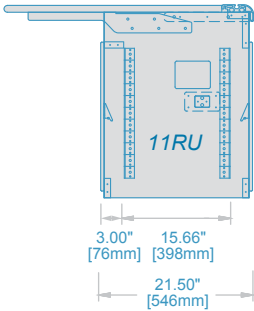


## Optional Rack Bases

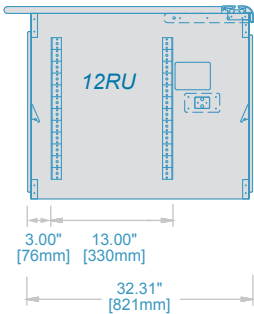
### SHALLOW DEPTH RACK BASE



### MEDIUM DEPTH RACK BASE



### FULL DEPTH RACK BASE

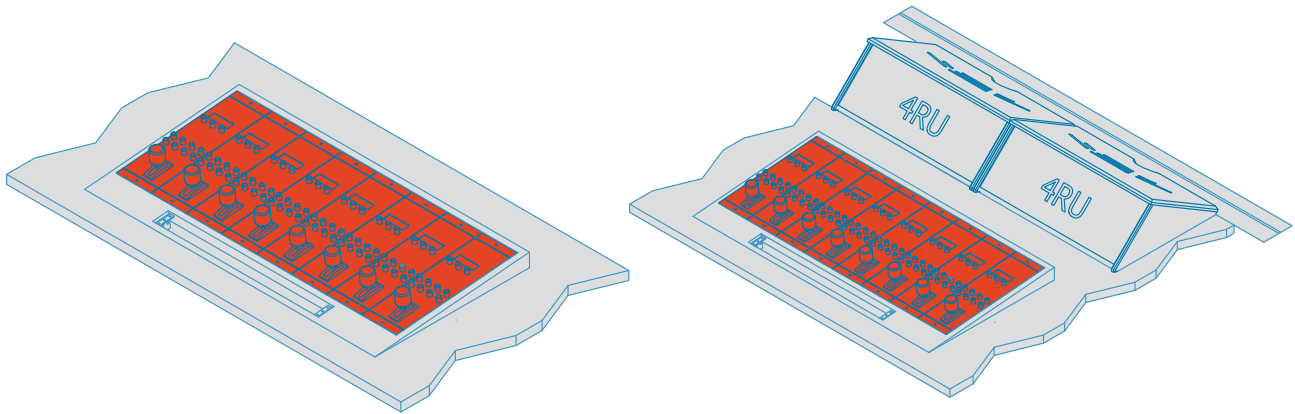


# GCX-C Continuum™

Expandable and Configurable



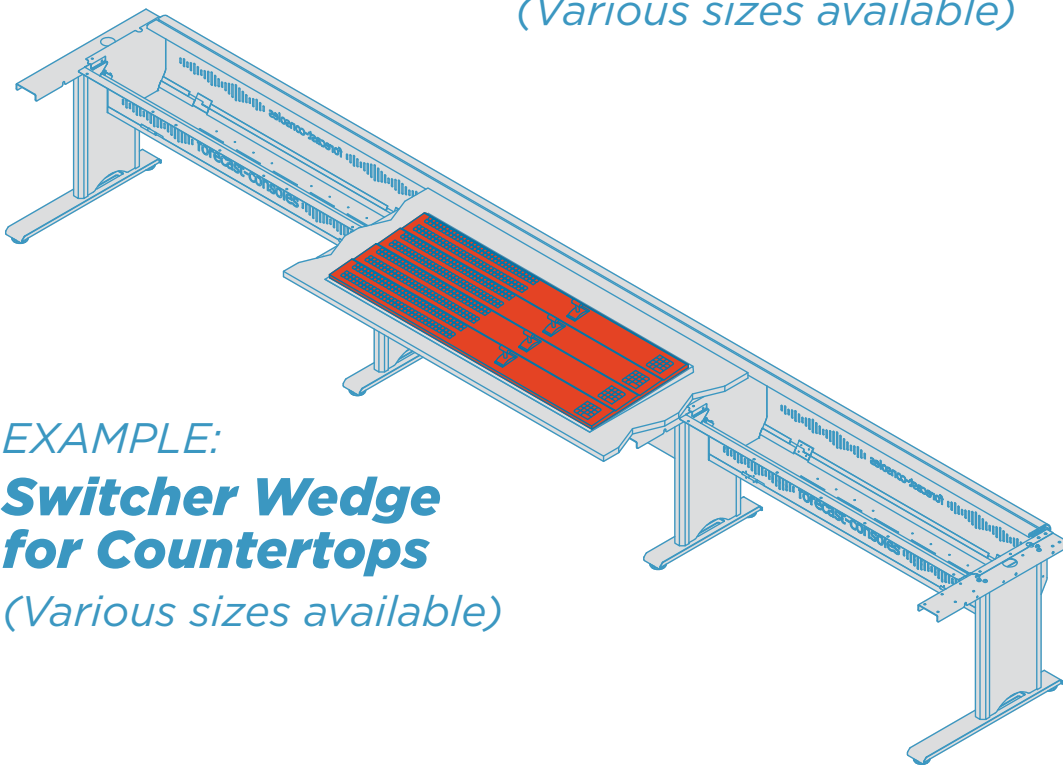
## OPTIONAL EQUIPMENT WEDGES



EXAMPLE:

### **RCP Wedge for Countertops**

*(Various sizes available)*



EXAMPLE:

### **Switcher Wedge for Countertops**

*(Various sizes available)*

# GCX-C Continuum™

Expandable and Configurable



MONITOR  
POST MOUNT ARM



**FC-PA-14-S**  
(30lb Weight Capacity)

DUAL MONITOR  
POST MOUNT ARM



**FC-PA-28-D**  
(40lb Weight Capacity)

FULLY ARTICULATING  
MONITOR ARM



**FC-AA-0313**  
(3-13lb Weight Capacity)  
**FC-AA-0825**  
(8-25lb Weight Capacity)  
**FC-AA-1331**  
(13-31lb Weight Capacity)

POST MOUNT  
SPEAKER PLATFORM



**FC-PA-14 SPEAKER**  
14" Post (20lb Weight Capacity)  
**FC-PA-28 SPEAKER**  
28" Post (20lb Weight Capacity)

## MasteRail™ Universal Mounting System\*

Aluminum Extrusion has a channel used to mount a variety of accessories giving you maximum flexibility. (Mounts and accessories sold separately.)

\*Available in all GCX models



ARTICULATING  
TELEPHONE  
POST MOUNT



**FC-PA-14-PHONE**

GOOSENECK  
TASK LIGHT

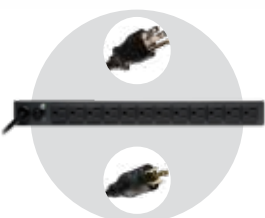


**FC-AC-GOOSENECK LT**

## Power Distribution Options

Rack Mount Power Distribution Units can be mounted in different locations depending on your wiring requirements.

RACK MOUNT (12)  
OUTLET POWER STRIP



**FC-RS1215** (15 Amp)  
**FC-RS1220** (20 Amp)

FORECAST 1RU  
POWER DATA UNIT



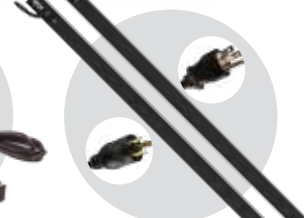
**FC-PDM-1**

24" (8) OUTLET  
POWER STRIP



**FC-PS0815**

36" (14) OUTLET  
POWER STRIP



**FC-PS1415** (15 Amp)  
**FC-PS1420** (20 Amp)



**MasterVision™**  
 Low-Profile Production &  
 Monitoring Console System



**Sightline™**  
 Configurable Monitor  
 Wall System



**GCX-Chassis™**  
 Modular Desk System for  
 One or More Operators

For more information: **(800) 735-2070** or **info@forecast-consoles.com**

All designs, plans, ideas & specifications in this drawing remain the entire property of Forecast Consoles Inc. and may not be reproduced or used in any manner without written consent.

\*Prices upon request