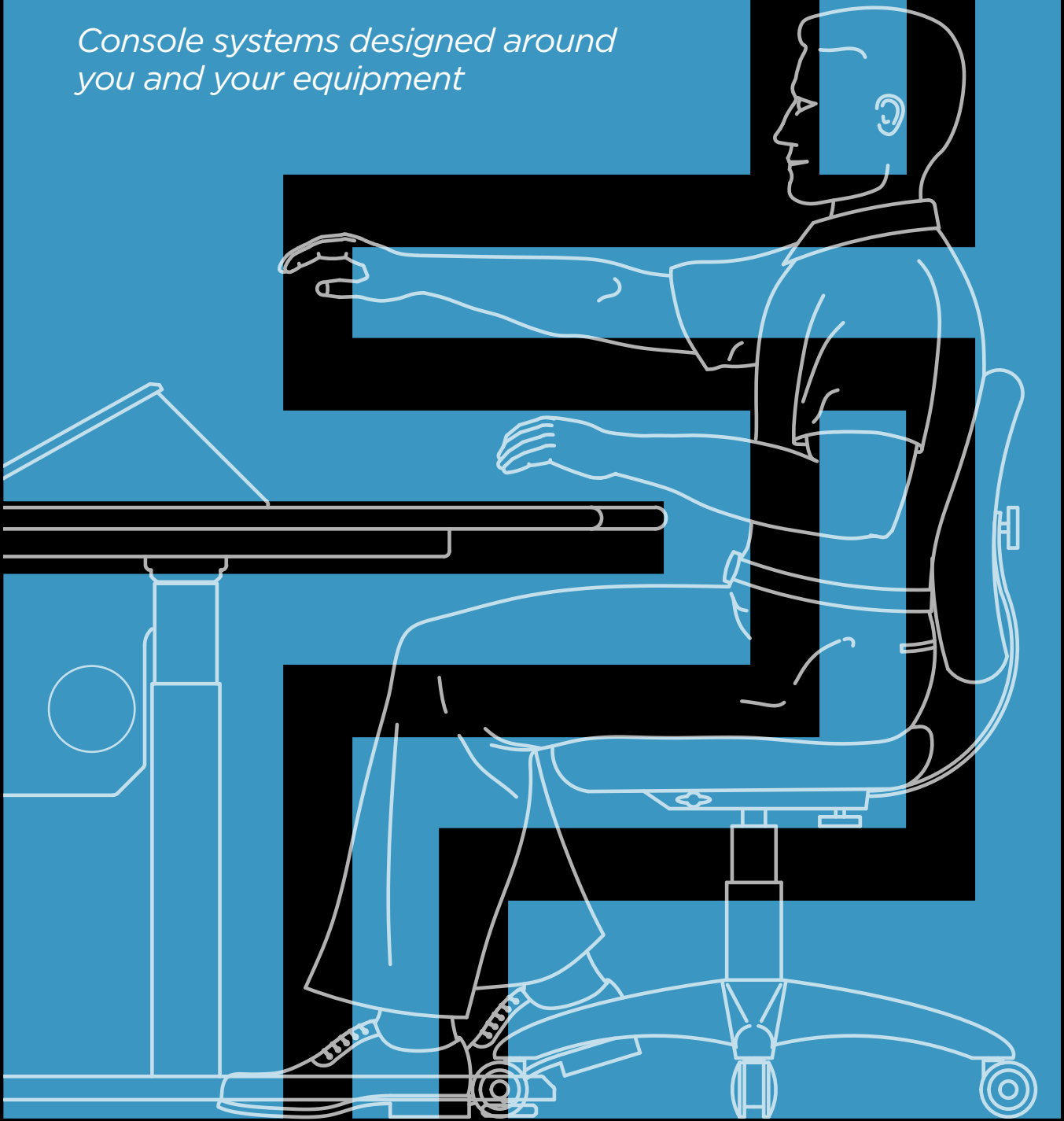
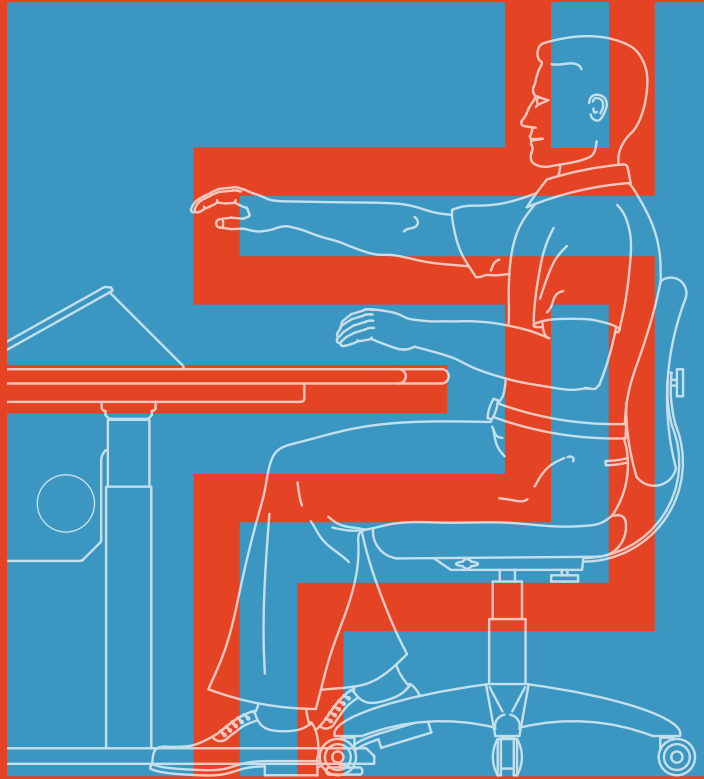


*Console systems designed around
you and your equipment*



 **Forecast**

INNOVATIVE TECHNICAL FURNITURE



Console systems designed around you and your equipment

The ability to turn customer's work environments into creative, elegant, and functional workspace solutions has made Forecast Consoles the industry leader in technical furniture and consoles for over three decades. The proven success of Forecast Consoles lies in its ability to anticipate the advances in multimedia technology and quickly develop creative solutions to accommodate these new toolsets. From Broadcast Television and Radio, Editing, Post Production, to Graphics, Security & Surveillance, Forecast Consoles has an elegant functional workspace solution for you.



Broadcasting



Stadiums



Mission Critical



Houses of Worship



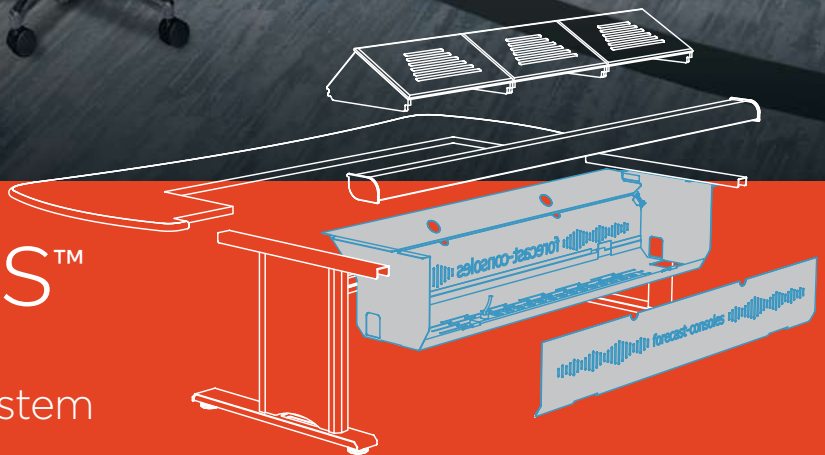
Recording

TABLE OF CONTENTS:

GCX	5	■ Countertop Heights.....	59
■ The anatomy of GCX	8	■ Wiring.....	60
■ The look of your GCX.....	9	■ Transitions.....	62
■ GCX in Action.....	10	■ Wedges	64
■ Turret Options.....	12	■ Accessories.....	65
■ X-Chassis Dimensions	13		
■ Wiring.....	14	MASTERAIL	67
■ Console Section Dimensions	15	■ The anatomy of MasteRail	70
		■ The technology inside MasteRail	71
GCX-S SIT-2-STAND CONSOLES	16	■ The look of your MasteRail	72
■ GCX-S1 Base Model	18	■ Configure your MasteRail	73
■ GCX-S1 Countertop Options	19	■ Rack Bases	74
■ GCX-S2 Base Model	20	■ Clear Bay Spans	75
■ GCX-S2 Countertop Options.....	21	■ Turrets Options.....	76
■ GCX-S3 Base Model.....	22	C-Top Extensions & Drop Wells	77
■ GCX-S3 Countertop Options.....	23	Flat Top.....	78
		Extended Face	79
GCX-W INDIVIDUAL WORKSATIONS	24	Straight Face.....	80
■ GCX-W1 Base Model	26	Split Face	81
■ GCX-W1 Countertop Options	27	■ Countertop Options.....	82
■ GCX-W2 Base Model	28	■ Wiring.....	83
■ GCX-W2 Countertop Options	29	■ Transitions.....	84
■ GCX-W3 Base Model.....	30	■ Equipment Wedge Options	85
■ GCX-W3 Countertop Options.....	31	■ Accessories.....	86
		■ Standard Laminates.....	87
GCX-C CONTINUUM	32		
■ GCX-Continuum.....	34	SIGHTLINE	89
■ Curved Layouts	35	■ Installation Options	92
■ GCX Continuum Detail	36	■ Vertical Supports	93
■ Pre-Configured Models	37	■ QuickRail.....	94
■ Curved Console Cockpit.....	40	■ MonoRail.....	95
■ Transitions	41	■ Shape Options	96
■ Rack Base Options	43	■ Outrigger Options.....	97
■ Equipment Wedge Options	44	■ Monitor Mounting Options	98
■ Accessories.....	45	■ Accessories.....	99
MASTERVISION	47		
■ The anatomy of a MasterVision.....	50		
■ The technology inside MasterVision.....	51		
■ The look of your MasterVision	52		
■ Configure your MasterVision	53		
■ Turret Options	54		
■ Removable Rack Insert.....	56		
■ Removable CPU Shelf	57		
■ Countertop Options.....	58		



The infinitely accessible, light weight and affordable console solution



GCX-Chassis™

Total Access, Affordable
X-Chassis Based Console System



GCX-W: WORKSTATION
Individual Console



GCX-C: CONTINUUM
Expandable and Configurable

TABLE OF CONTENTS:

GCX	5
■ The Anatomy of GCX.....	8
■ The Look of your GCX	9
■ GCX in Action.....	10
■ Turret Options.....	12
■ X-Chassis Dimensions	13
■ Wiring.....	14
■ Console Section Dimensions	15
GCX-S	16
■ GCX-S1 Base Model	18
■ GCX-S1 Countertop Options.....	19
■ GCX-S2 Base Model	20
■ GCX-S2 Countertop Options.....	21
■ GCX-S3 Base Model.....	22
■ GCX-S3 Countertop Options.....	23
GCX-W	24
■ GCX-W1 Base Model	26
■ GCX-W1 Countertop Options.....	27
■ GCX-W2 Base Model	28
■ GCX-W2 Countertop Options.....	29
■ GCX-W3 Base Model.....	30
■ GCX-W3 Countertop Options.....	31
GCX-C Continuum	32
■ GCX-Continuum.....	34
■ Curved Layouts	35
■ GCX Continuum Detail	36
■ Pre-Configured Models	37
■ Curved Console Cockpit.....	40
■ Transitions.....	41
■ Rack Base Options	43
■ Equipment Wedge Options	44
■ Accessories.....	45

GCX product line options:

W

Workstation
Individual
Console



GCX-W

- Stationary console available in 1, 2 and 3 bay wide X-Chassis
- Legs have removable panels to access cables from X-Chassis to floor
- Lift-off, removable, vented turrets and filler panels available

S

Sit-2-Stand
Electronic Height
Adjustable



GCX-S

- Countertop height fully adjustable from 25" to 50"
- Motorized legs have a 500 lb. lift capacity
- Flexible and protective cable management
- Console available in 1, 2 and 3 bay wide X-Chassis
- Electronic handset switch has 3-programmable height settings

C

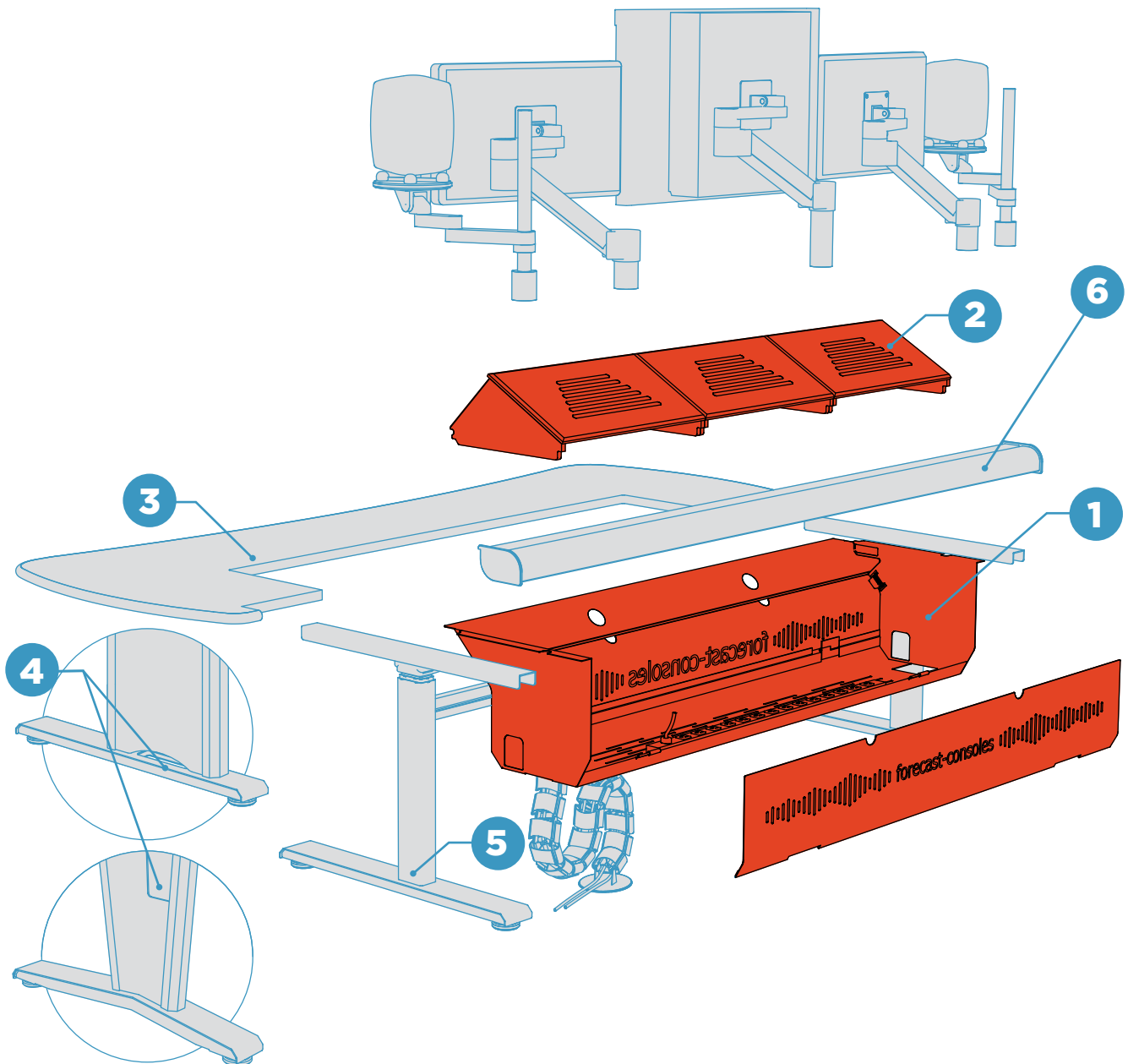
Continuum
Expandable and
Configurable



GCX-C

- Infinitely expandable and configurable console
- Based on combining 1, 2 and 3 bay wide X-Chassis to create a fully customized console
- Can be configured in any shape to compliment any size room

The anatomy of a GCX:



- 1 Lightweight steel **X-Chassis** with removable hinged doors. Available in 1, 2 and 3 bay widths.
- 2 Vented and lift-off **removable turrets** are available in 2, 3, 4 & 5 rack units (Can be combined with 1 and 1/2 bay countertop fillers).
- 3 Available in multiple **countertop** sizes, styles and finishes.
- 4 Stationary legs for **Continuum** (GCX-C) & **Workstation** (GCX-W). Legs have removable panels to easily route cables to the floor.
- 5 **Sit-2-Stand** console (GCX-S) uses electronically controlled height adjustable legs. Adjusts from approximately 25" to 50" at countertop height.
- 6 **Rear Rail** for accessory mounting.

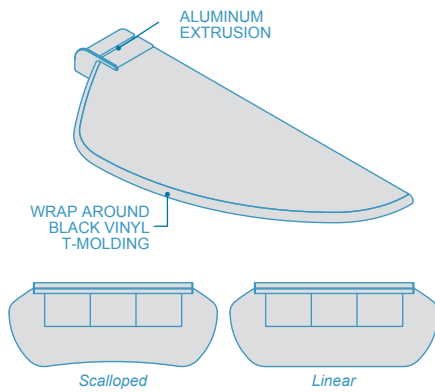
The look of your GCX:

Give your consoles their own look

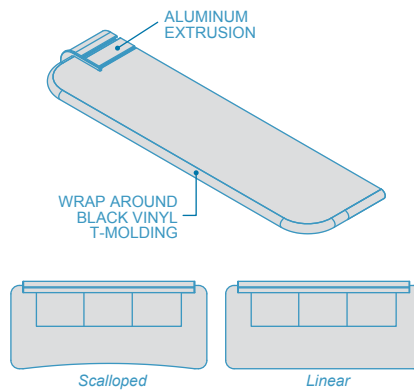
COUNTLESS COUNTERTOP VARIATIONS

Various countertop shapes, end details, materials and colors allow you to create the perfect console for your needs.

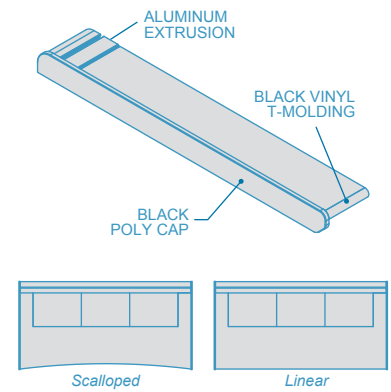
CURVED COUNTERTOP



SQUARED COUNTERTOP



CAPPED COUNTERTOP



LAMINATE OR LINOLEUM WITH T-MOLDING



SOLID SURFACE

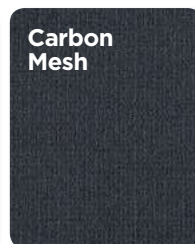
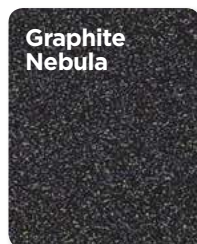


ACRYLIC



LAMINATE W/ COMFORT EDGE

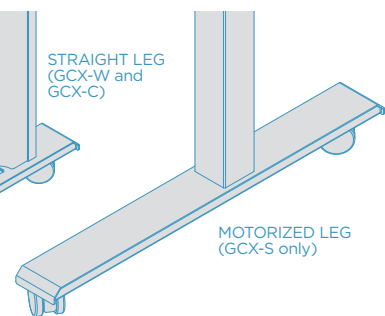
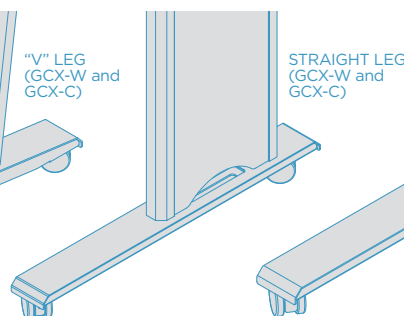
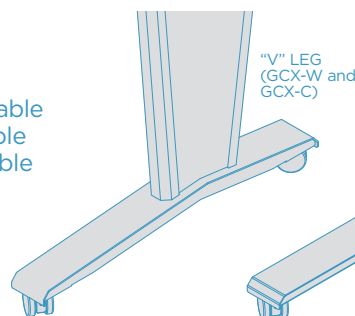
Standard Laminates



A leg to stand on

LEG OPTIONS

Console leg comes standard with adjustable height floor levelers. Combination lockable front & free-wheel rear casters are available as an upgrade.



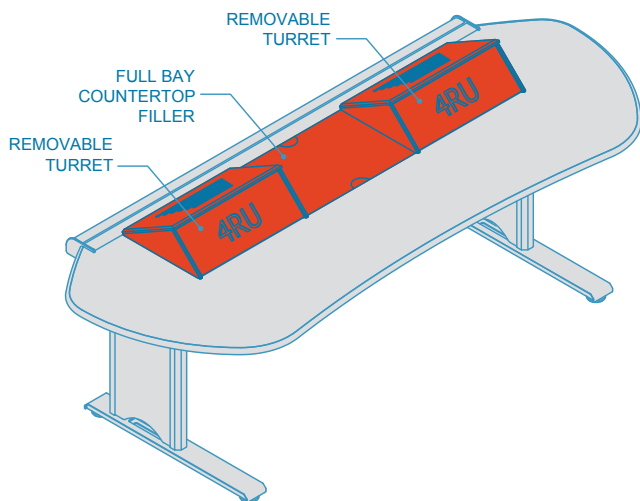
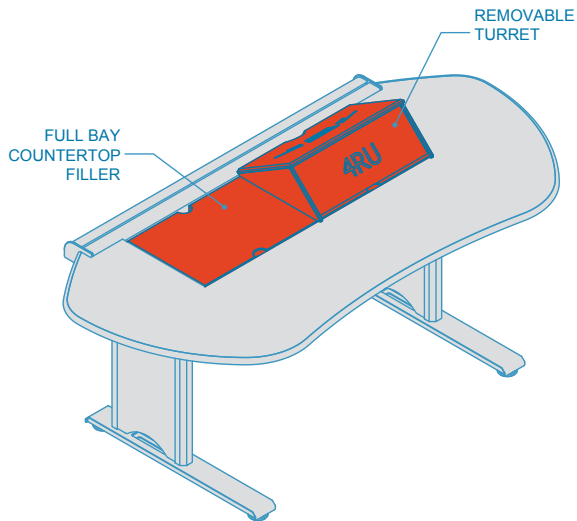
GCX in action:

One man show

GCX-W WORKSTATION -
EVERYTHING AT YOUR FINGERTIPS



Workstations offer the best possible solutions for non-linear editing, graphics and color correction workstations. The consoles are pre-engineered, affordable and ready for quick-ship.

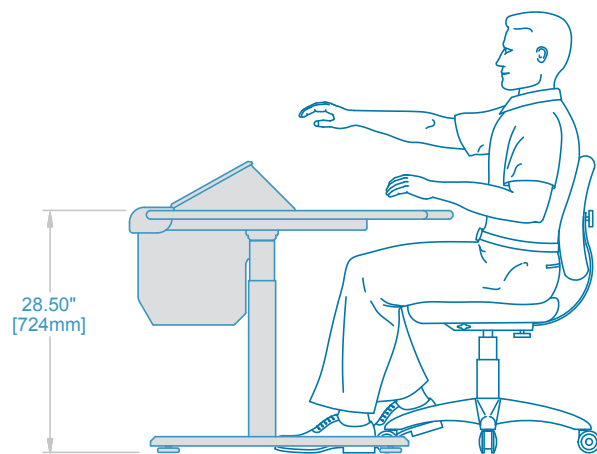
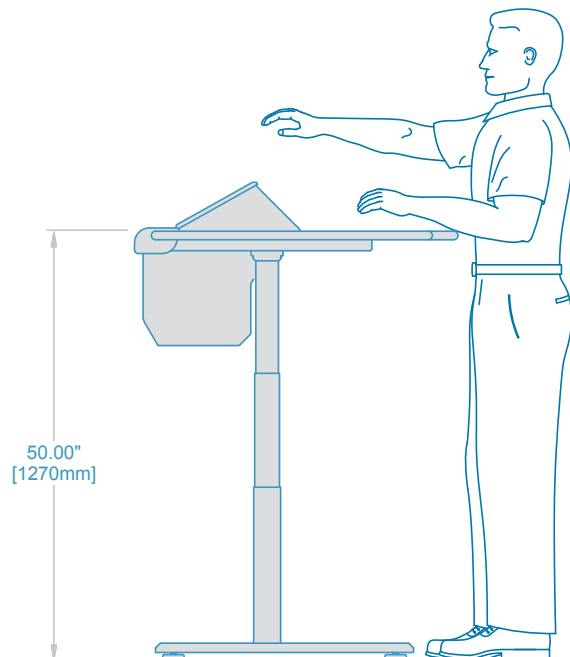


Rise to the occasion

GCX-S SIT-2-STAND -
ELECTRONIC HEIGHT ADJUSTABLE



All GCX-S are fully height adjustable with electronically controlled actuators, capable of 500 pounds of lift. This allows the countertop height to go from 25 inches above the floor all the way to 50 inches.



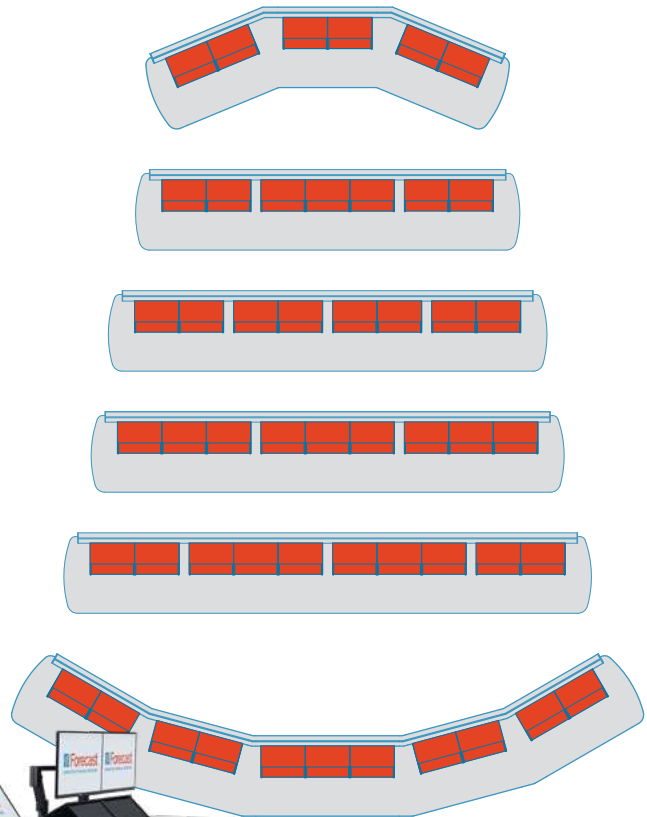
NOTE: Countertop height is not shown in the lowest position

Infinitely expandable and configurable

GCX-C CONTINUUM -
FITS ANY/EVERY ROOM SIZE OR SHAPE



Continuum can be configured in rows, or in concave or convex curves as well as freeform S-shape footprints. The lower transition panels ensure that wiring between units is protected and hidden from view. The rear aluminum extrusion (accessories rail) is custom cut to match the final shape allowing for easy addition and relocation of the monitor arms and other mounted accessories.

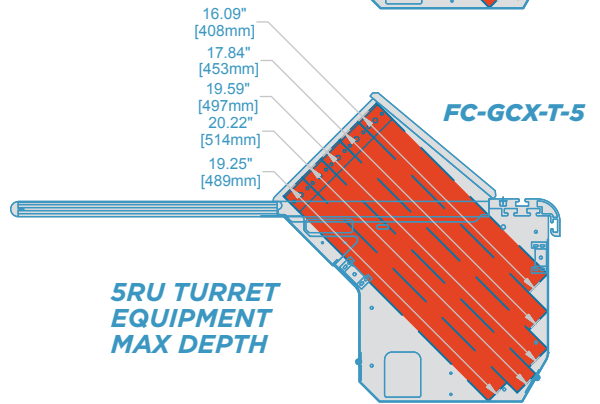
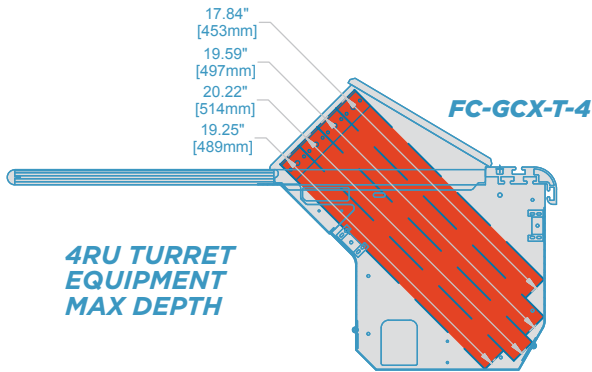
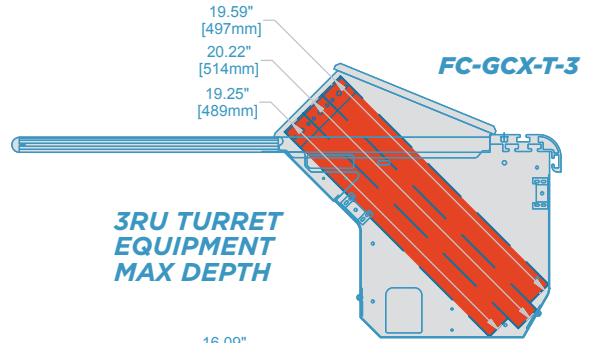
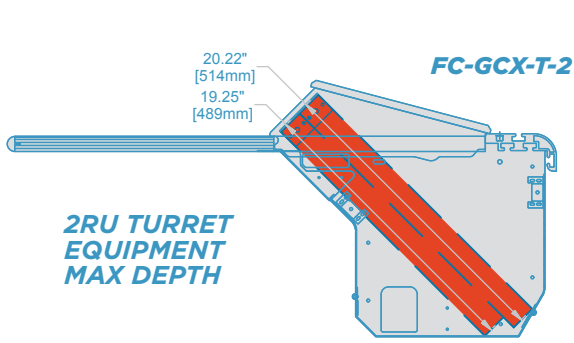


GCX-Chassis™

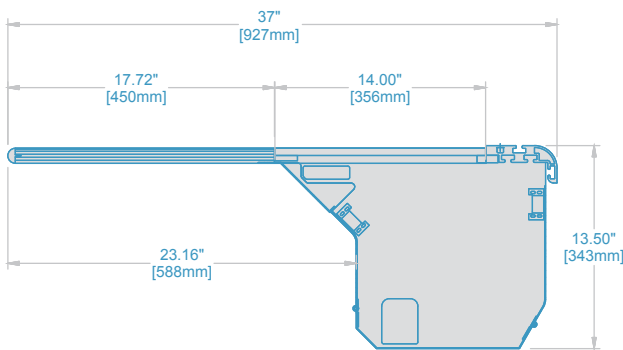
Specs & Configurations



Removable Turrets

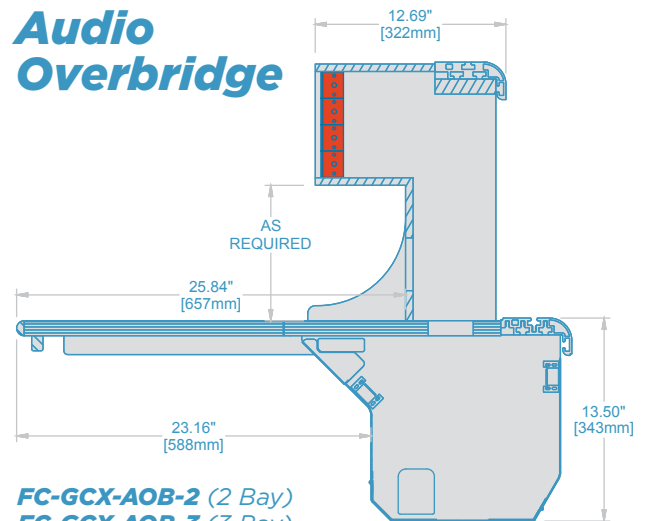


Removable C-Top Filler



FC_GCX-CF-1 (1 Bay)
FC-GCX-CF-0.5 (1/2 Bay)

Audio Overbridge



FC-GCX-AOB-2 (2 Bay)
FC-GCX-AOB-3 (3 Bay)

NOTE: Actual dimensions depends on the final design

GCX-Chassis™

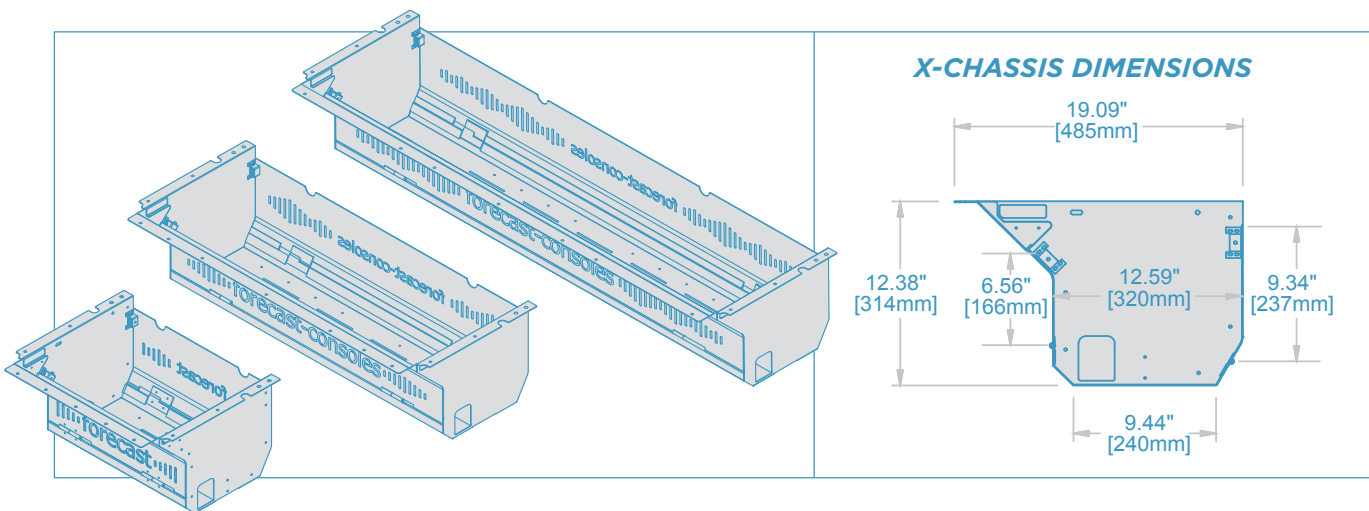
Specs & Configurations



X-CHASSIS



- Precision laser cut, lightweight steel X-Chassis with front and rear hinged/removable doors
- Perforated for ample ventilation
- Integrated power distribution options
- Multiple slots for managing cables
- Strategically placed holes for cable routing
- Open design for easy access



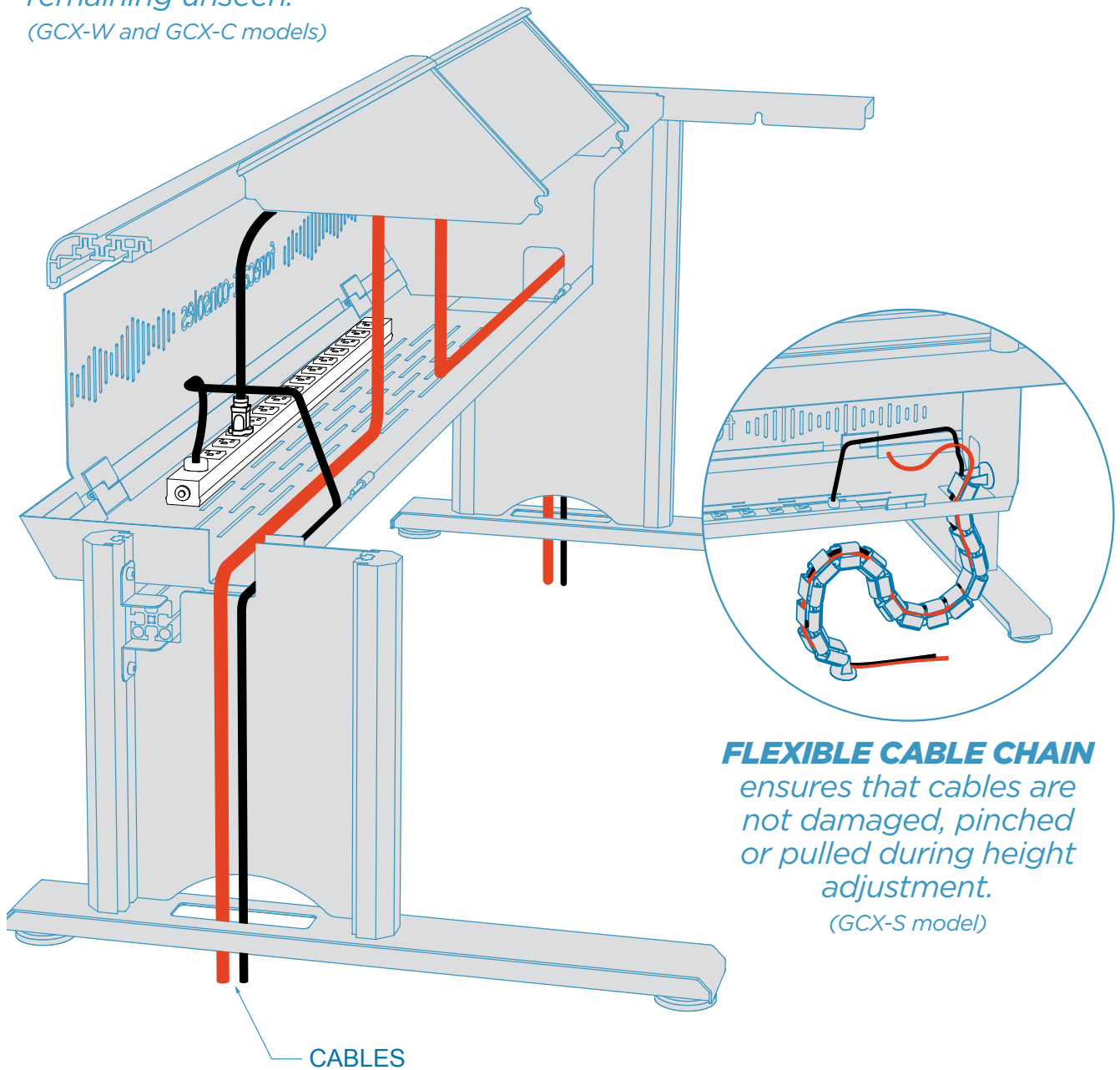
GCX-Chassis™

Specs & Configurations



CABLE PATHS ensure that wiring can easily be passed between X-Chassis' and support legs while remaining unseen.

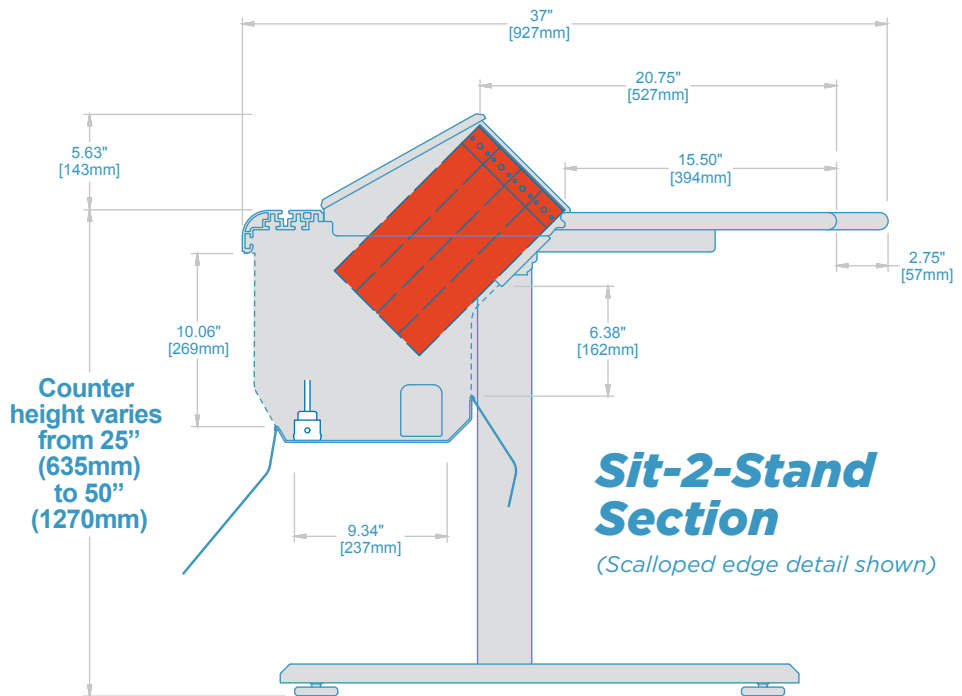
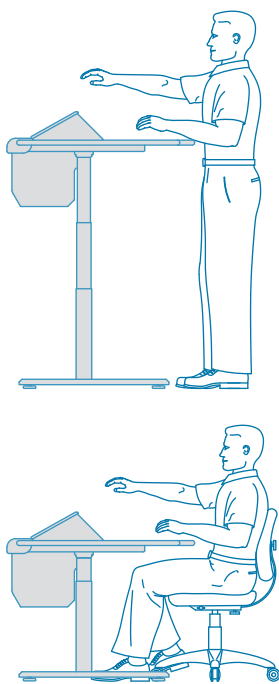
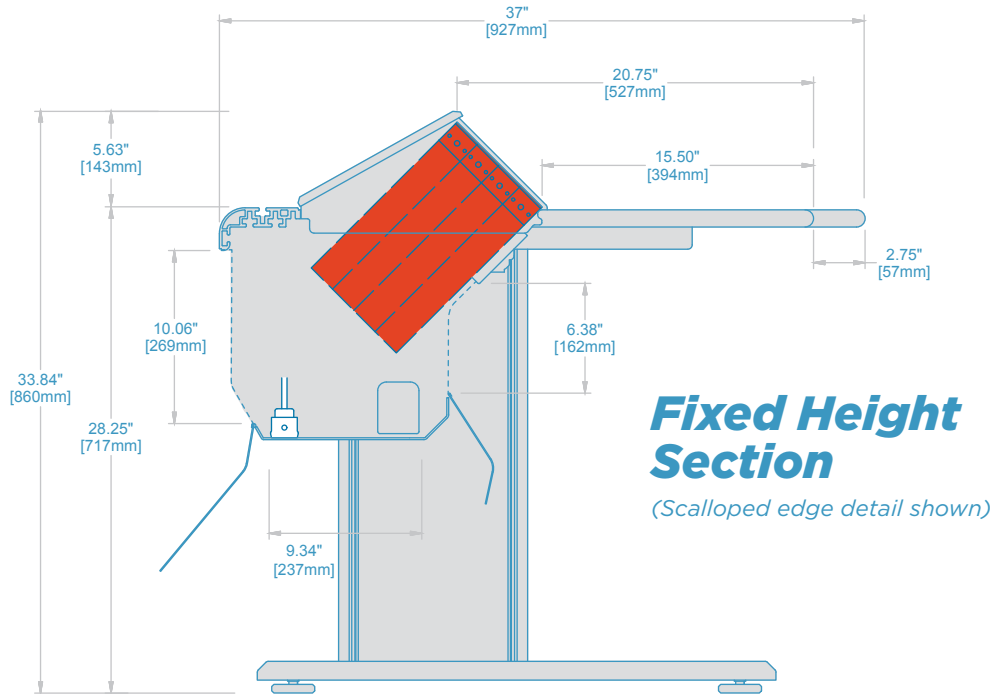
(GCX-W and GCX-C models)



FLEXIBLE CABLE CHAIN

ensures that cables are not damaged, pinched or pulled during height adjustment.

(GCX-S model)





S

Sit-2-Stand

*Electronic Height
Adjustable*

GCX-S Sit-2-Stand™

Electronic Height Adjustment



GCX-S (Sit-2-Stand console)

- Console available in 1, 2 and 3 bay wide X-Chassis
- Countertop height fully adjustable from 25" to 50"
- Motorized legs have a 500 lb. lift capacity
- Flexible and protective cable management
- Electronic controller has three programmable height settings



MODEL SHOWN:
FC-GCX-S3-A

GCX-S Sit-2-Stand™

Electronic Height Adjustment



GCX-S1



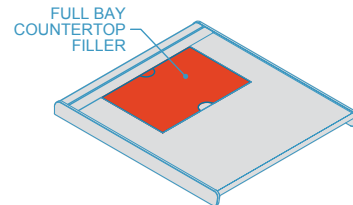
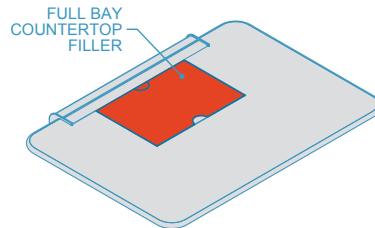
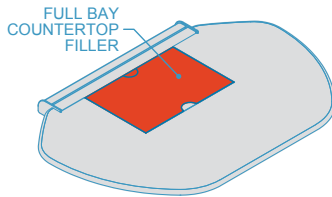
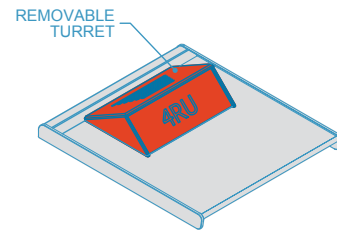
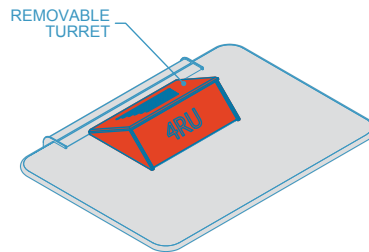
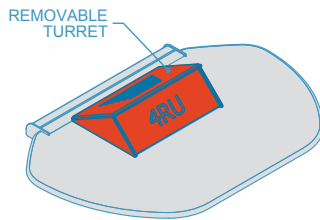
1 BAY
FRONT VIEW



1 BAY
REAR VIEW

Turret and Filler Configurations

All turrets and countertop filler panels are individually removable and reconfigurable. Allowing you the most flexibility.

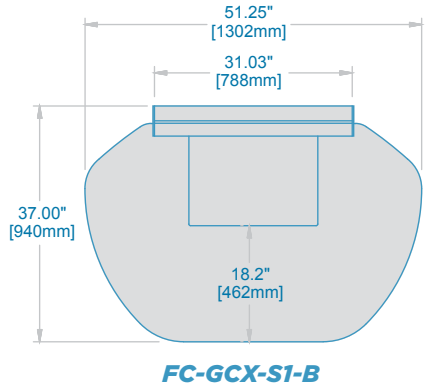


GCX-S Sit-2-Stand™

Electronic Height Adjustment

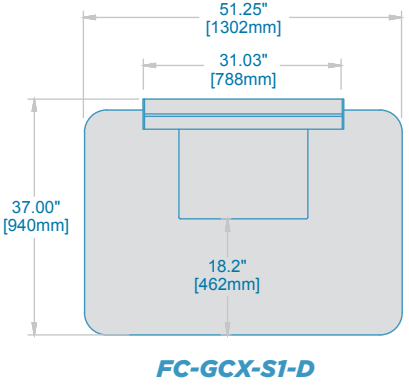


— CURVED C-TOP END DETAIL —

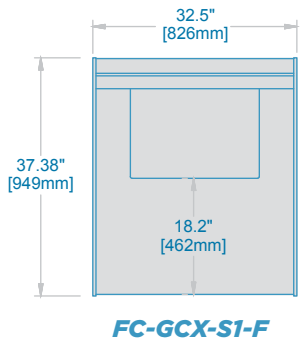


FC-GCX-S1			
	COUNTERTOP END DETAIL		
	CURVED	SQUARED	CAPPED
WIDTH	51.25"	51.25"	32.5"
DEPTH	37"		
MAX RU's	5RU (1x5RU)		
NUMBER OF OPERATORS	1		
C-TOP DEPTH (Turret To Edge)	Linear 18.2"		

— SQUARED C-TOP END DETAIL —



— CAPPED C-TOP END DETAIL —



GCX-S Sit-2-Stand™

Electronic Height Adjustment

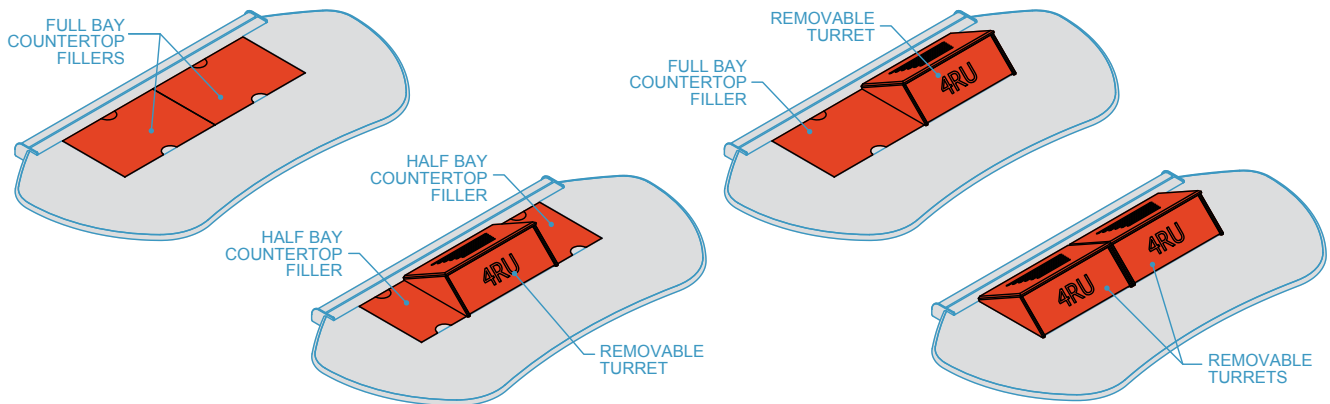


GCX-S2



Turret and Filler Configurations

All turrets and countertop filler panels are individually removable and reconfigurable. Allowing you the most flexibility.



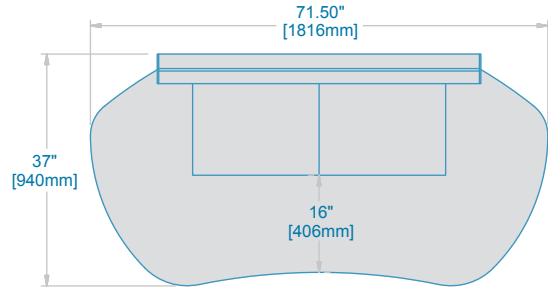
GCX-S Sit-2-Stand™

Electronic Height Adjustment

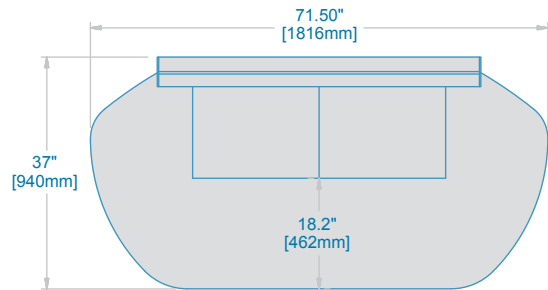


FC-GCX-S2			
	COUNTERTOP END DETAIL		
	CURVED	SQUARED	CAPPED
WIDTH	71.5"	71.5"	52.75"
DEPTH	37"		
MAX RU's	10RU (2x5RU)		
NUMBER OF OPERATORS	1		
C-TOP DEPTH (Turret To Edge)	Scalloped 16" Linear 18.2"		

CURVED C-TOP END DETAIL

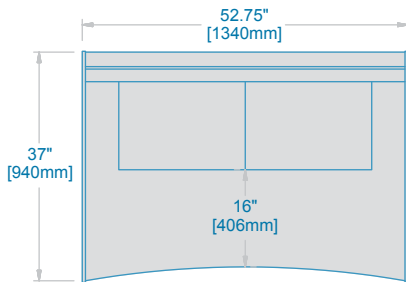


SCALLOPED C-TOP EDGE DETAIL
FC-GCX-S2-A

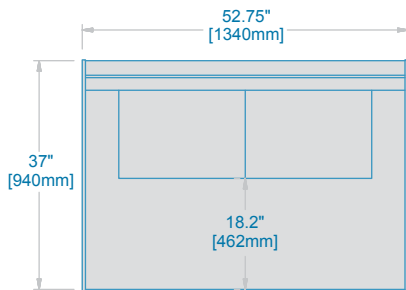


LINEAR C-TOP EDGE DETAIL
FC-GCX-S2-B

CAPPED C-TOP END DETAIL

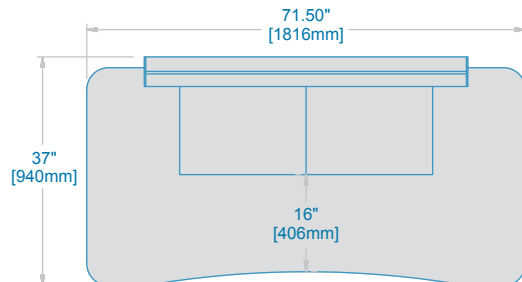


SCALLOPED C-TOP EDGE DETAIL
FC-GCX-S2-E

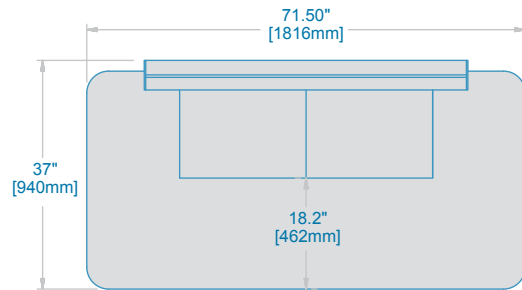


LINEAR C-TOP EDGE DETAIL
FC-GCX-S2-F

SQUARED C-TOP END DETAIL



SCALLOPED C-TOP EDGE DETAIL
FC-GCX-S2-C



LINEAR C-TOP EDGE DETAIL
FC-GCX-S2-D

GCX-S Sit-2-Stand™

Electronic Height Adjustment

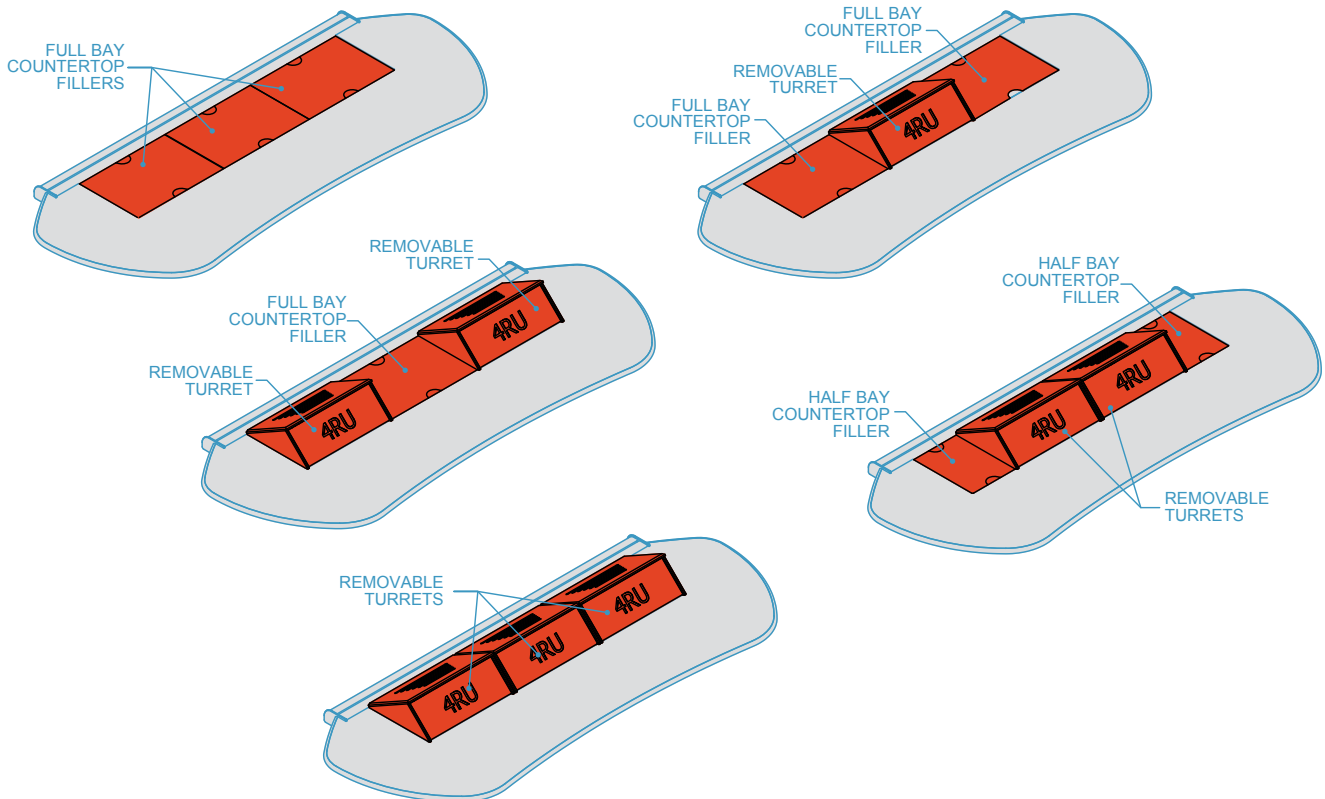


GCX-S3



Turret and Filler Configurations

All turrets and countertop filler panels are individually removable and reconfigurable. Allowing you the most flexibility.



All designs, plans, ideas & specifications in this drawing remain the entire property of Forecast Consoles Inc. and may not be reproduced or used in any manner without written consent.

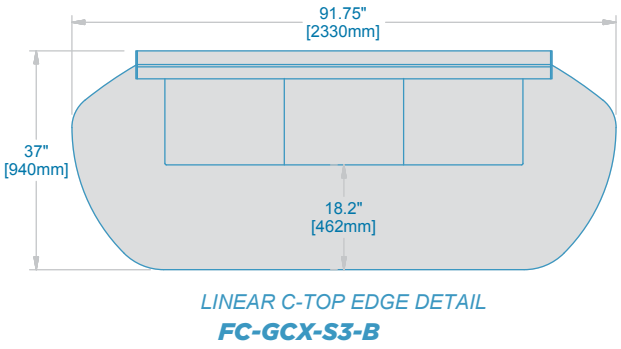
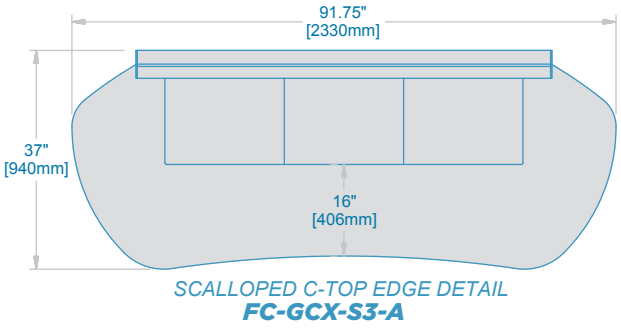
(631) 253-9000 or info@forecast-consoles.com

GCX-S Sit-2-Stand™

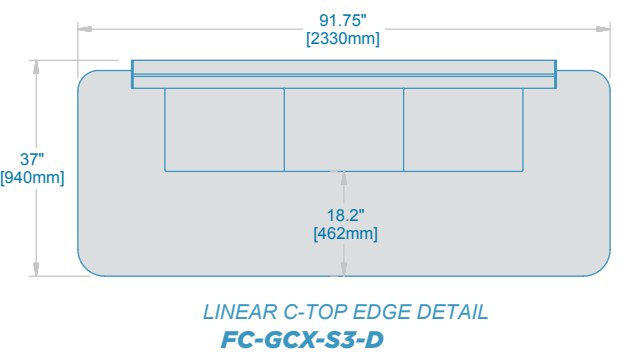
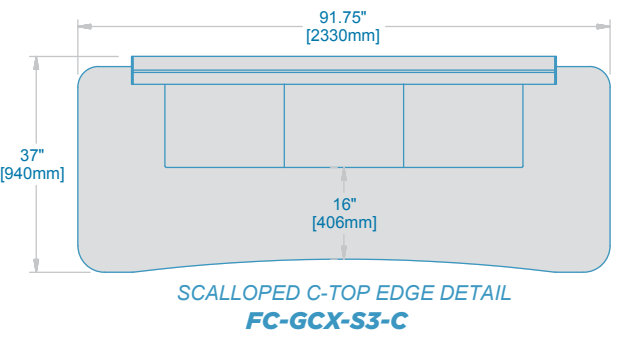
Electronic Height Adjustment



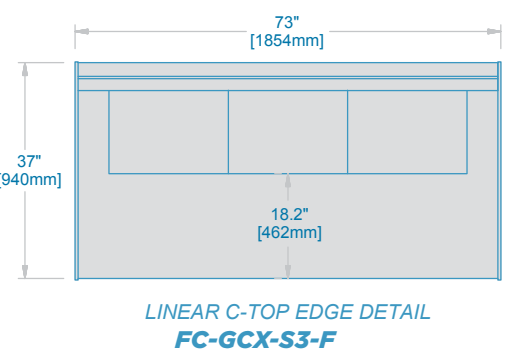
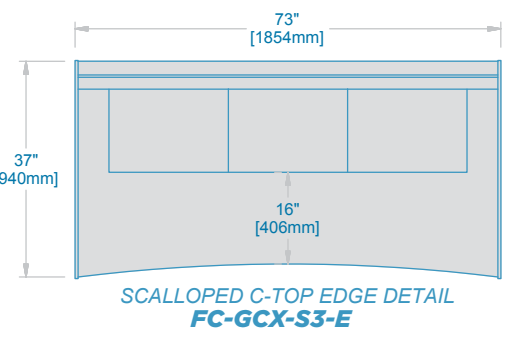
CURVED C-TOP END DETAIL



SQUARED C-TOP END DETAIL



CAPPED C-TOP END DETAIL

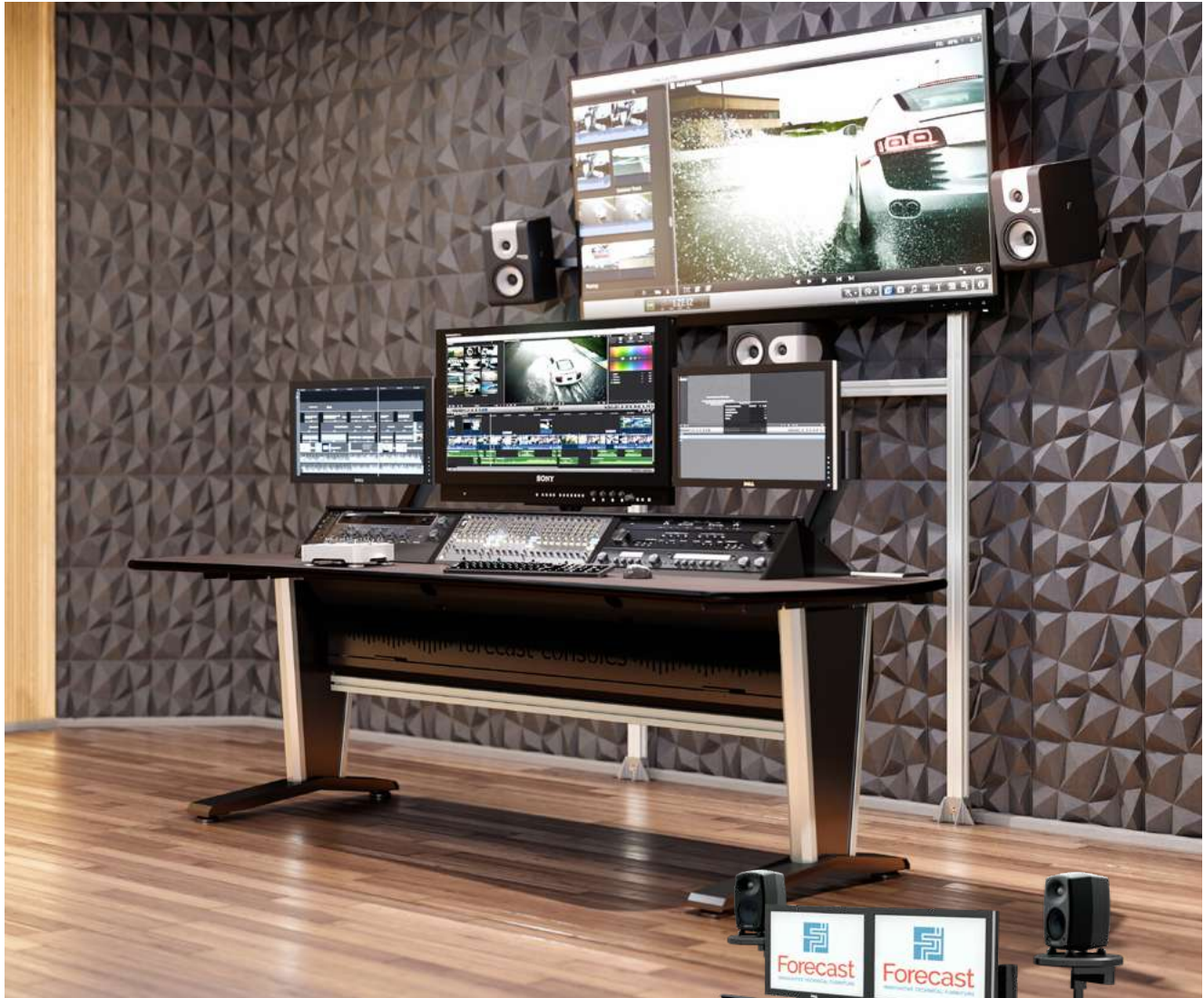


FC-GCX-S3			
	COUNTERTOP END DETAIL		
	CURVED	SQUARED	CAPPED
WIDTH	91.75"	91.75"	73"
DEPTH	37"		
MAX RU's	15RU (3x5RU)		
NUMBER OF OPERATORS	1		
C-TOP DEPTH (Turret To Edge)	Scalloped 16" Linear 18.2"		



GCX-W Workstation™

Individual Workstations



GCX-W

- Stationary console available in 1, 2 and 3 bay wide X-Chassis
- Legs have removable panels to access cables from X-Chassis to floor
- Lift-off, removable, vented turrets and filler panels available



MODEL SHOWN:
FC-GCX-W3-A

(631) 253-9000 or info@forecast-consoles.com

All designs, plans, ideas & specifications in this drawing remain the entire property of Forecast Consoles Inc. and may not be reproduced or used in any manner without written consent.

GCX-W Workstation™

Individual Workstations



GCX-W1

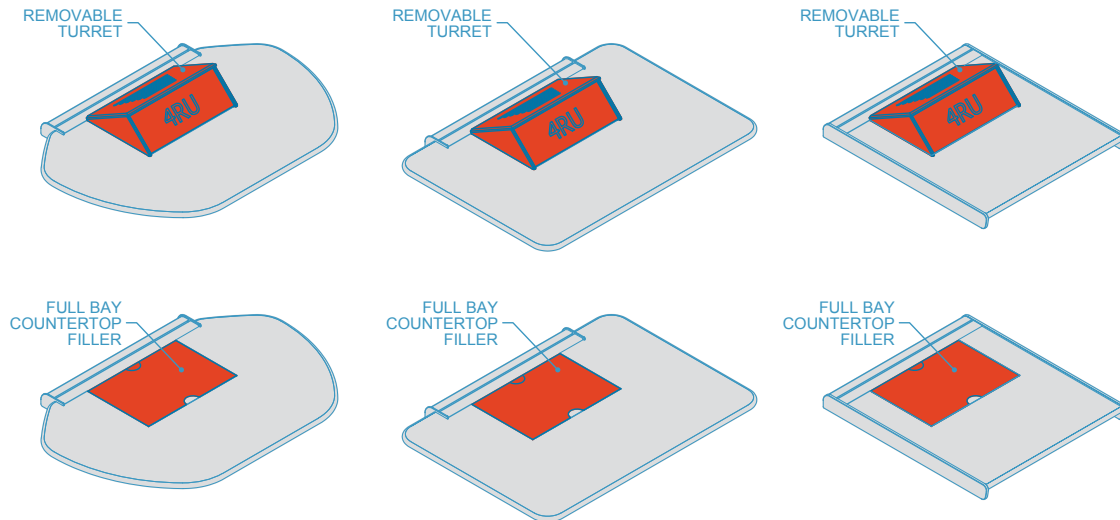


1 BAY
FRONT VIEW

1 BAY
REAR VIEW

Turret and Filler Configurations

All turrets and countertop filler panels are individually removable and reconfigurable. Allowing you the most flexibility.

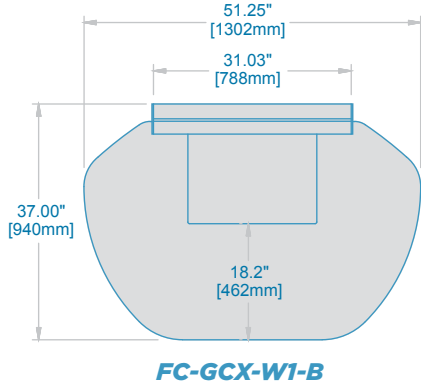


GCX-W Workstation™

Individual Workstations

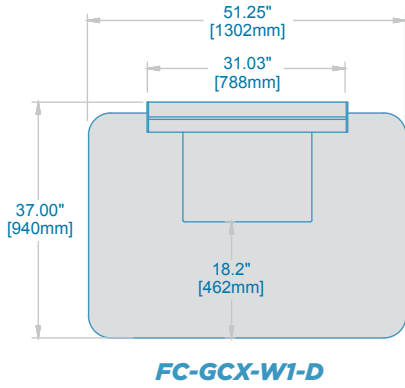


— CURVED C-TOP END DETAIL —

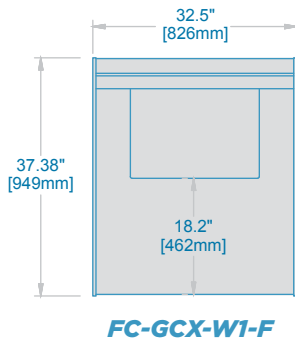


FC-GCX-W1			
	COUNTERTOP END DETAIL		
	CURVED	SQUARED	CAPPED
WIDTH	51.25"	51.25"	32.5"
DEPTH	37"		
MAX RU's	5RU (1x5RU)		
NUMBER OF OPERATORS	1		
C-TOP DEPTH (Turret To Edge)	Linear 18.2"		

— SQUARED C-TOP END DETAIL —



— CAPPED C-TOP END DETAIL —



GCX-W Workstation™

Individual Workstations



GCX-W2



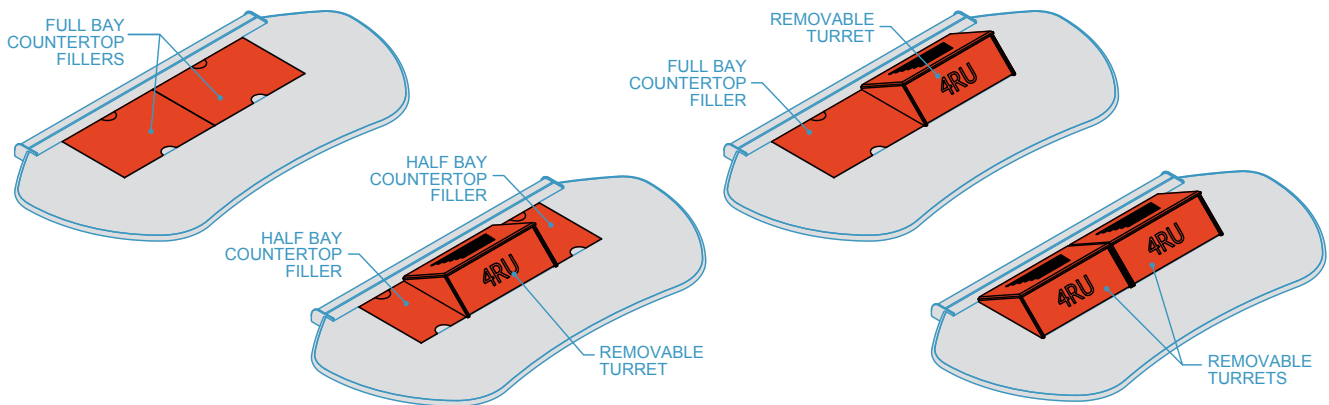
2 BAY
FRONT VIEW



2 BAY
REAR VIEW

Turret and Filler Configurations

All turrets and countertop filler panels are individually removable and reconfigurable. Allowing you the most flexibility.



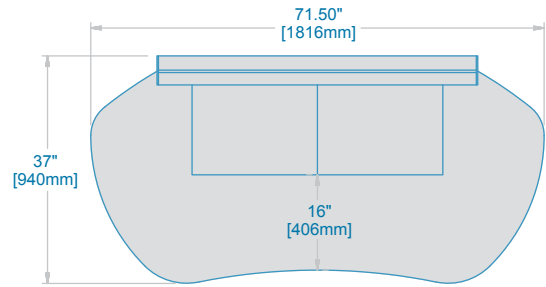
GCX-W Workstation™

Individual Workstations



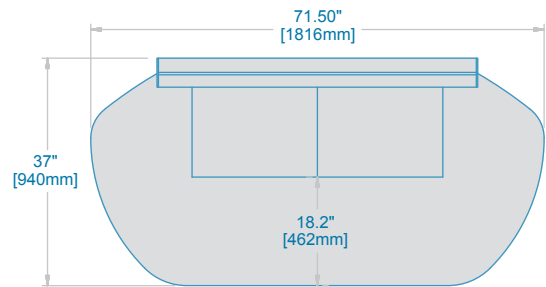
FC-GCX-W2			
	COUNTERTOP END DETAIL		
	CURVED	SQUARED	CAPPED
WIDTH	71.5"	71.5"	52.75"
DEPTH	37"		
MAX RU's	10RU (2x5RU)		
NUMBER OF OPERATORS	1		
C-TOP DEPTH (Turret To Edge)	Scalloped 16" Linear 18.2"		

CURVED C-TOP END DETAIL



SCALLOPED C-TOP EDGE DETAIL

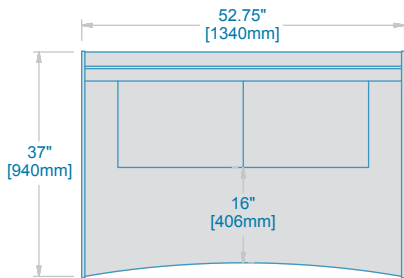
FC-GCX-W2-A



LINEAR C-TOP EDGE DETAIL

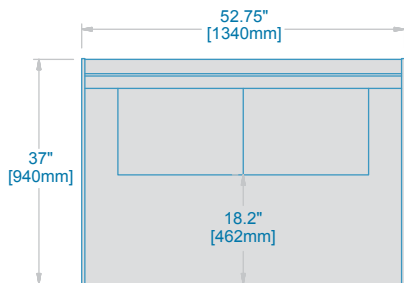
FC-GCX-W2-B

CAPPED C-TOP END DETAIL



SCALLOPED C-TOP EDGE DETAIL

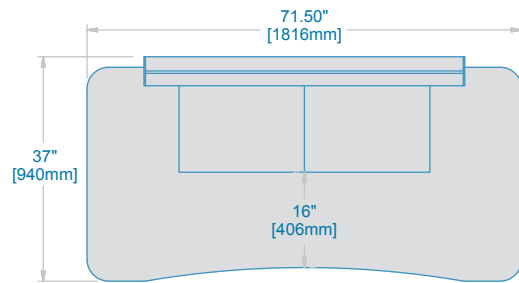
FC-GCX-W2-E



LINEAR C-TOP EDGE DETAIL

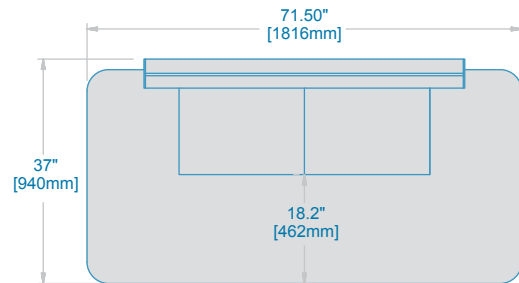
FC-GCX-W2-F

SQUARED C-TOP END DETAIL



SCALLOPED C-TOP EDGE DETAIL

FC-GCX-W2-C



LINEAR C-TOP EDGE DETAIL

FC-GCX-W2-D

GCX-W Workstation™

Individual Workstations

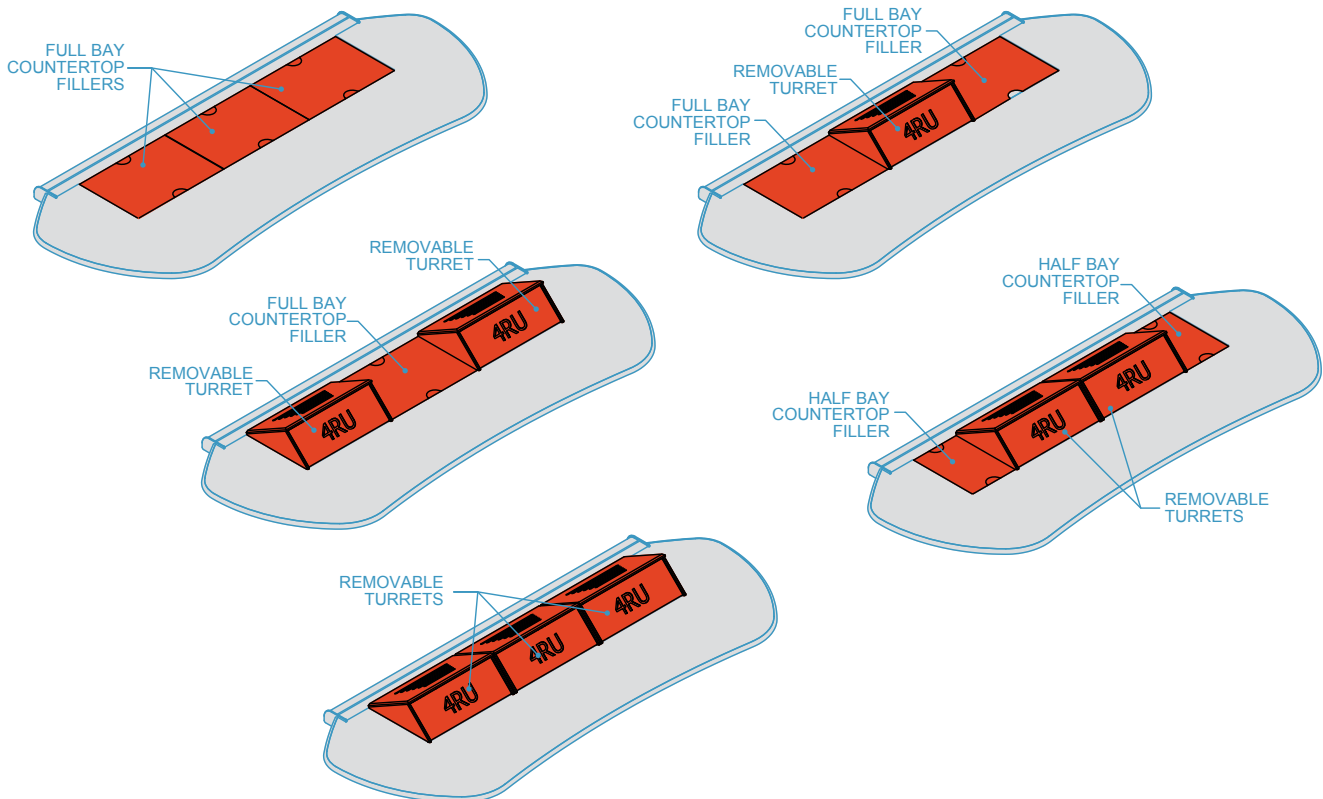


GCX-W3



Turret and Filler Configurations

All turrets and countertop filler panels are individually removable and reconfigurable. Allowing you the most flexibility.



All designs, plans, ideas & specifications in this drawing remain the entire property of Forecast Consoles Inc. and may not be reproduced or used in any manner without written consent.

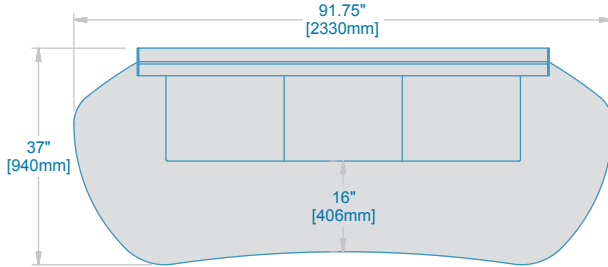
(631) 253-9000 or info@forecast-consoles.com

GCX-W Workstation™

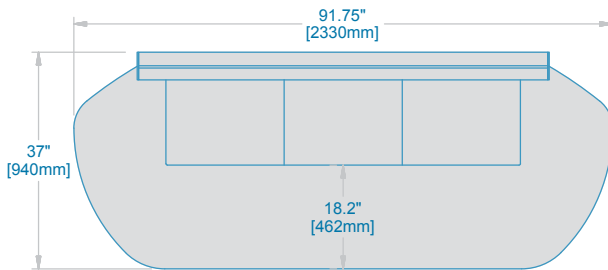
Individual Workstations



CURVED C-TOP END DETAIL

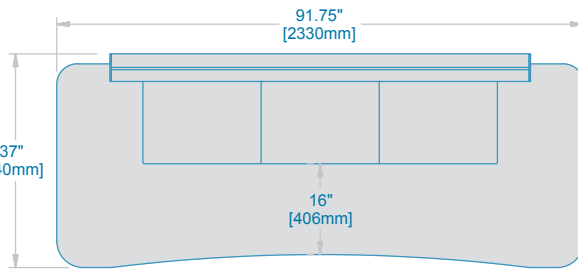


SCALLOPED C-TOP EDGE DETAIL
FC-GCX-W3-A

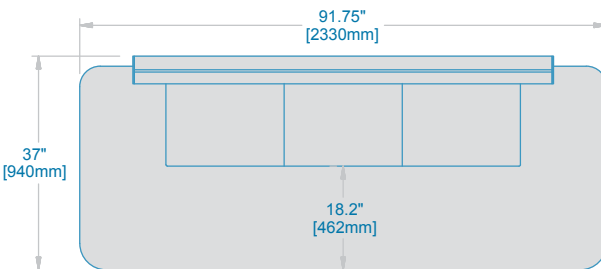


LINEAR C-TOP EDGE DETAIL
FC-GCX-W3-B

SQUARED C-TOP END DETAIL

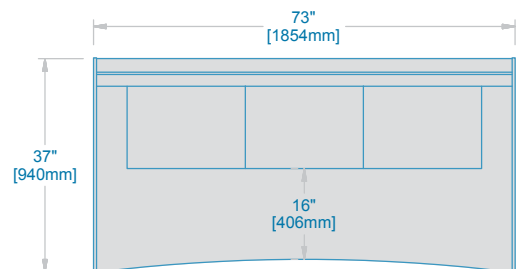


SCALLOPED C-TOP EDGE DETAIL
FC-GCX-W3-C

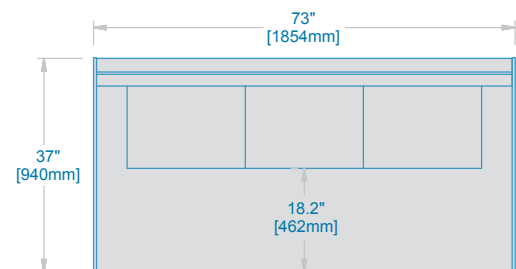


LINEAR C-TOP EDGE DETAIL
FC-GCX-W3-D

CAPPED C-TOP END DETAIL



SCALLOPED C-TOP EDGE DETAIL
FC-GCX-W3-E



LINEAR C-TOP EDGE DETAIL
FC-GCX-W3-F

FC-GCX-W3			
	COUNTERTOP END DETAIL		
	CURVED	SQUARED	CAPPED
WIDTH	91.75"	91.75"	73"
DEPTH	37"		
MAX RU's	15RU (3x5RU)		
NUMBER OF OPERATORS	1		
C-TOP DEPTH (Turret To Edge)	Scalloped 16" Linear 18.2"		



GCX-C Continuum™

Expandable and Configurable



GCX-C

- Infinitely expandable and configurable console
- Based on combining 1, 2 and 3 bay wide X-Chassis' to create a fully customized console
- Can be configured in any shape or size to compliment any room

GCX-C Continuum™

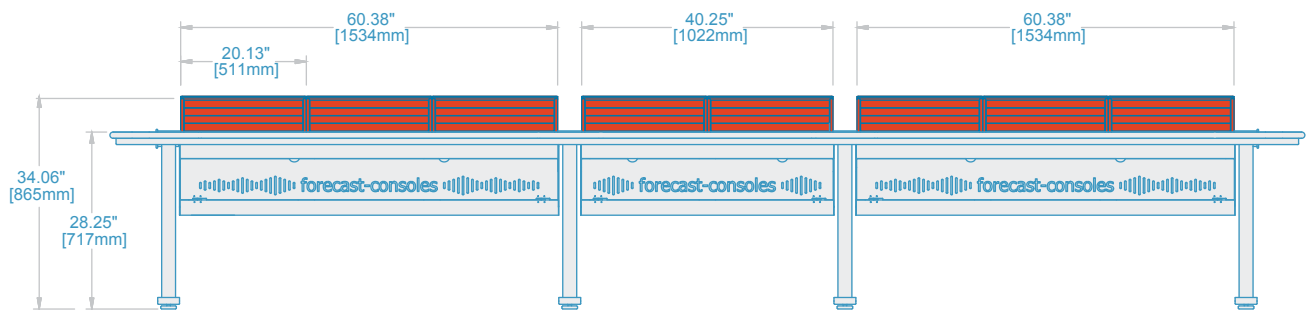
Expandable and Configurable



*Continuum is based on combining
1, 2 and 3 bay X-Chassis' to create a
fully customized console*



MODEL SHOWN:
FC-GCX-C323



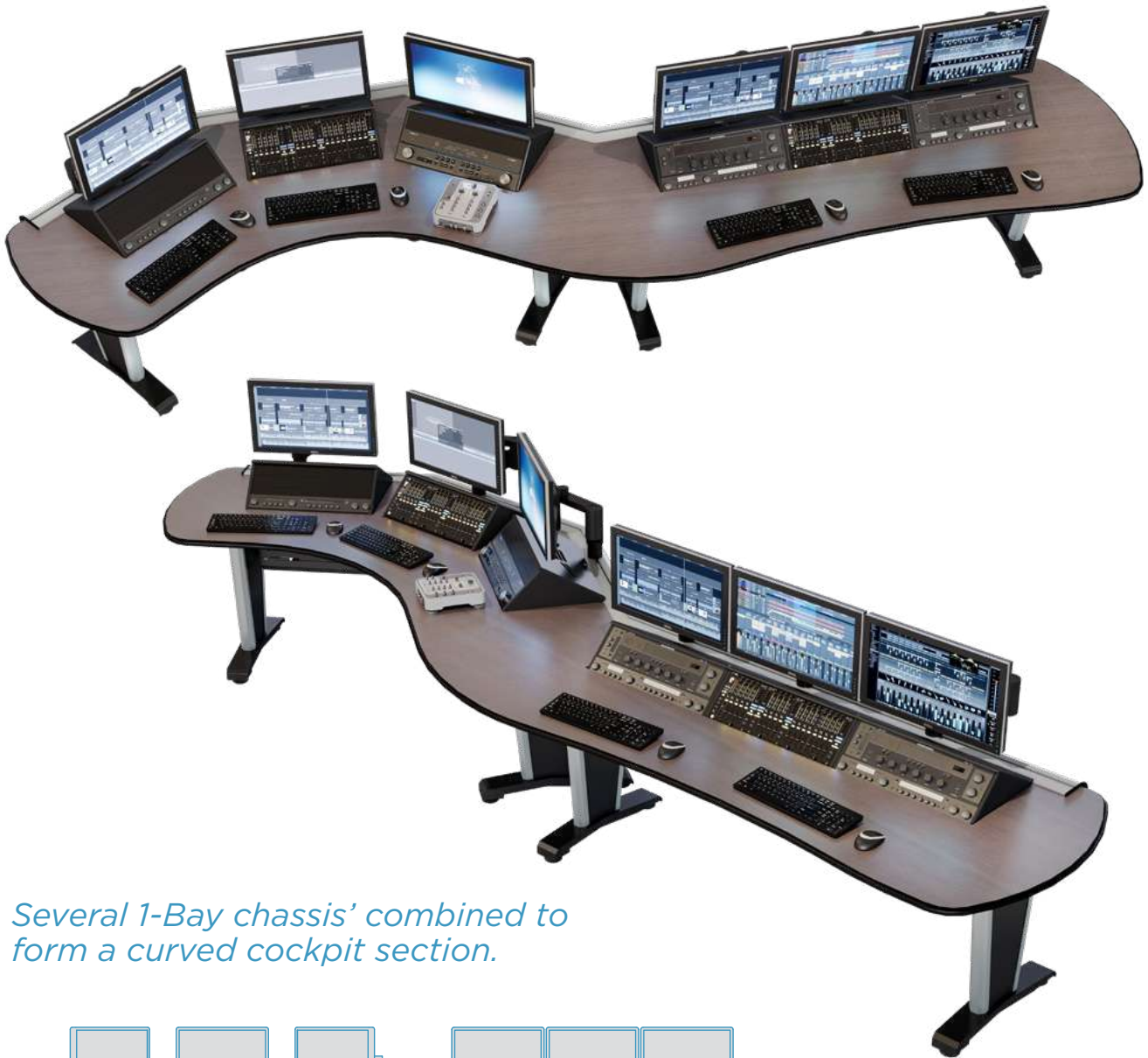
FRONT VIEW

All designs, plans, ideas & specifications in this drawing remain the entire property of Forecast Consoles Inc. and may not be reproduced or used in any manner without written consent.

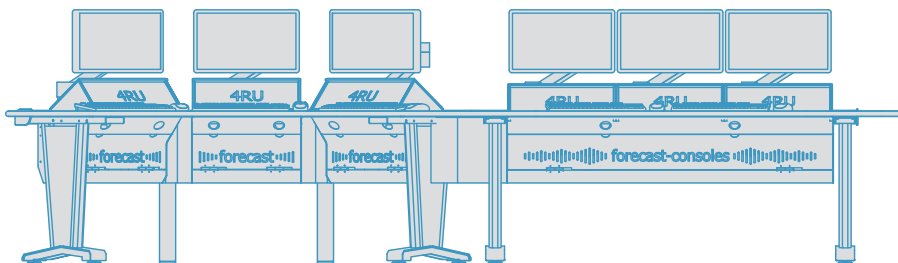
(631) 253-9000 or info@forecast-consoles.com

GCX-C Continuum™

Expandable and Configurable



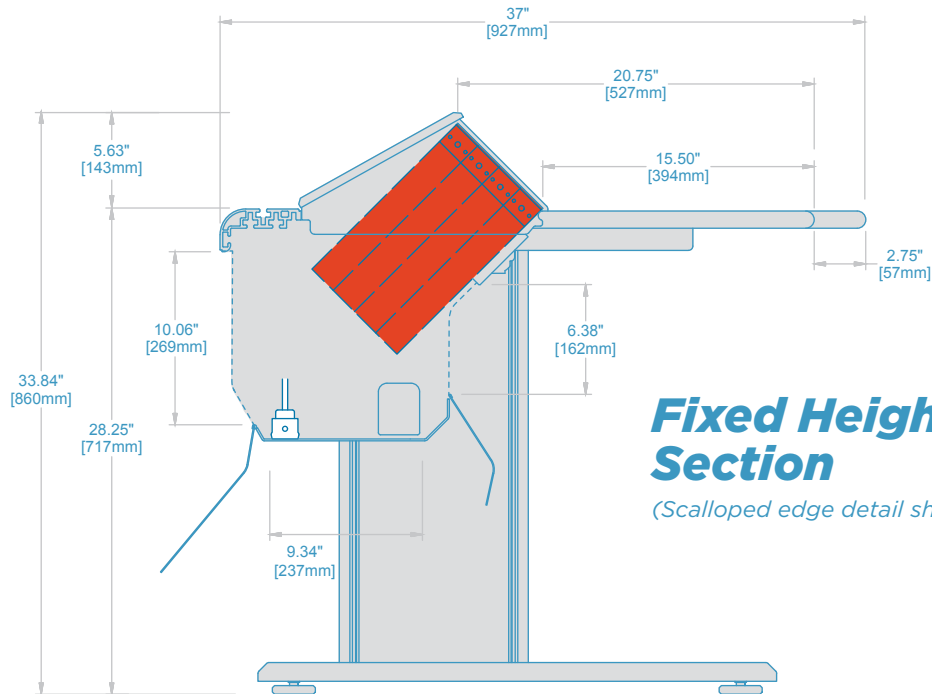
Several 1-Bay chassis' combined to form a curved cockpit section.



FRONT VIEW

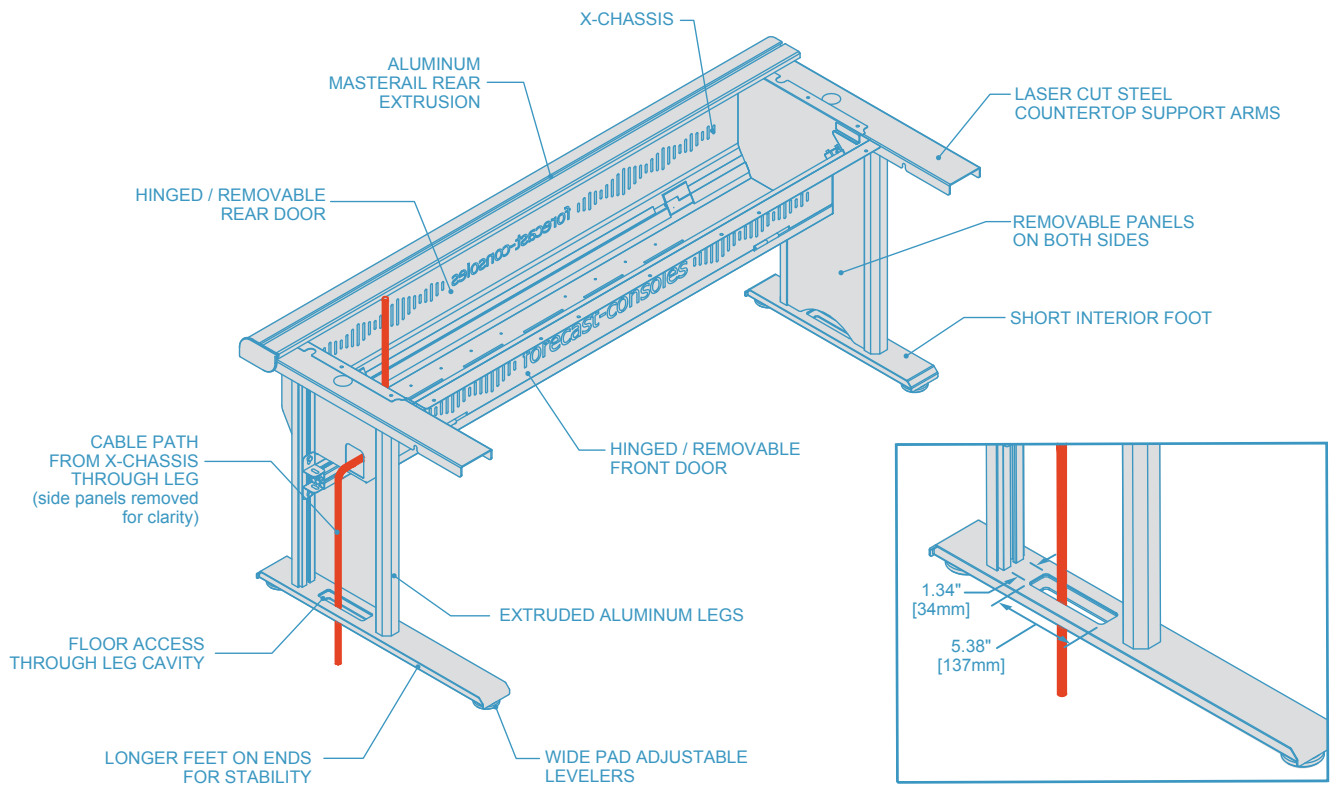
GCX-C Continuum™

Expandable and Configurable



Fixed Height Section

(Scalloped edge detail shown)



All designs, plans, ideas & specifications in this drawing remain the entire property of Forecast Consoles Inc. and may not be reproduced or used in any manner without written consent.

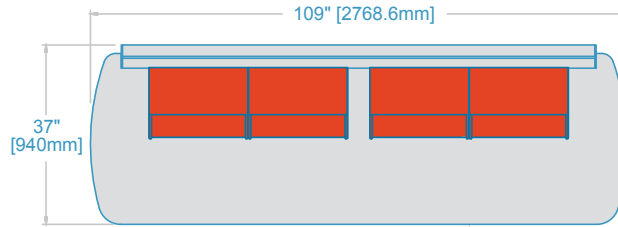
(631) 253-9000 or info@forecast-consoles.com

GCX-C Continuum™

Expandable and Configurable

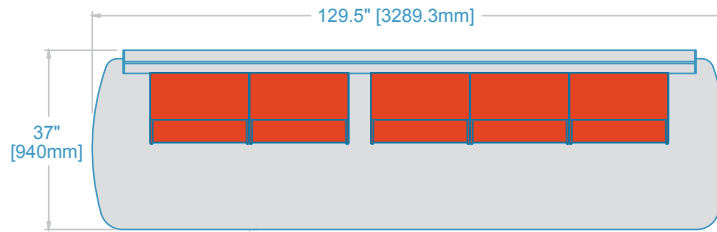


FC-GCX-C22



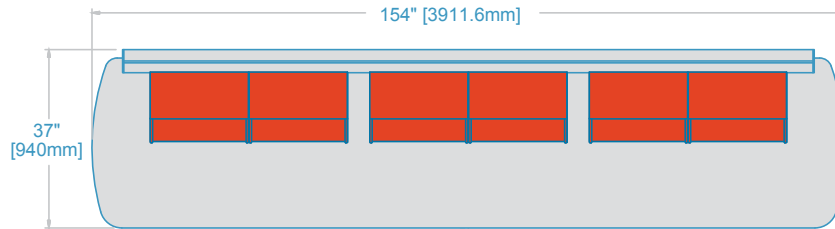
LINEAR C-TOP EDGE DETAIL

FC-GCX-C23



LINEAR C-TOP EDGE DETAIL

FC-GCX-C222



LINEAR C-TOP EDGE DETAIL

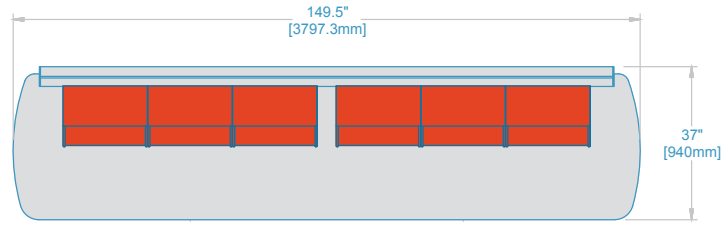
FC-GCX-C22				FC-GCX-C23				FC-GCX-C222			
	COUNTERTOP END DETAIL				COUNTERTOP END DETAIL				COUNTERTOP END DETAIL		
	CURVED	SQUARED	CAPPED		CURVED	SQUARED	CAPPED		CURVED	SQUARED	CAPPED
WIDTH	109"	107"	97"	WIDTH	129.5"	126.5"	117"	WIDTH	154"	151.5"	142"
DEPTH	37"			DEPTH	37"			DEPTH	37"		
MAX RU's	20RU (4x5RU)			MAX RU's	25RU (5x5RU)			MAX RU's	30RU (6x5RU)		
NUMBER OF OPERATORS	2			NUMBER OF OPERATORS	2			NUMBER OF OPERATORS	3		
C-TOP DEPTH (Turret To Edge)	Scalloped 16" Linear 18.2"			C-TOP DEPTH (Turret To Edge)	Scalloped 16" Linear 18.2"			C-TOP DEPTH (Turret To Edge)	Scalloped 16" Linear 18.2"		

GCX-C Continuum™

Expandable and Configurable

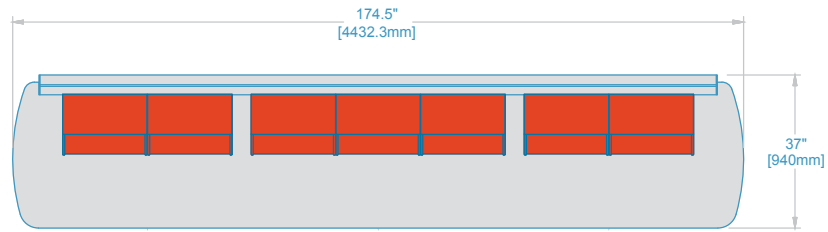


FC-GCX-C33



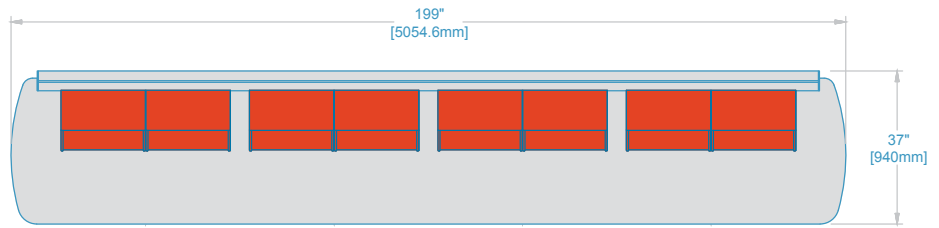
LINEAR C-TOP EDGE DETAIL

FC-GCX-C232



LINEAR C-TOP EDGE DETAIL

FC-GCX-C2222



LINEAR C-TOP EDGE DETAIL

FC-GCX-C33			
	COUNTERTOP END DETAIL		
	CURVED	SQUARED	CAPPED
WIDTH	149.5"	147"	137.5"
DEPTH	37"		
MAX RU's	30RU (6x5RU)		
NUMBER OF OPERATORS	2-3		
C-TOP DEPTH (Turret To Edge)	Scalloped 16" Linear 18.2"		

FC-GCX-C232			
	COUNTERTOP END DETAIL		
	CURVED	SQUARED	CAPPED
WIDTH	174.5"	171.75"	162.25"
DEPTH	37"		
MAX RU's	35RU (7x5RU)		
NUMBER OF OPERATORS	3 - 5		
C-TOP DEPTH (Turret To Edge)	Scalloped 16" Linear 18.2"		

FC-GCX-C2222			
	COUNTERTOP END DETAIL		
	CURVED	SQUARED	CAPPED
WIDTH	199"	196.5"	187"
DEPTH	37"		
MAX RU's	40RU (8x5RU)		
NUMBER OF OPERATORS	4 - 6		
C-TOP DEPTH (Turret To Edge)	Scalloped 16" Linear 18.2"		

All designs, plans, ideas & specifications in this drawing remain the entire property of Forecast Consoles Inc. and may not be reproduced or used in any manner without written consent.

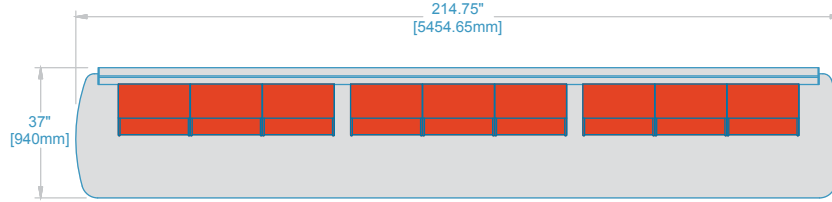
(631) 253-9000 or info@forecast-consoles.com

GCX-C Continuum™

Expandable and Configurable

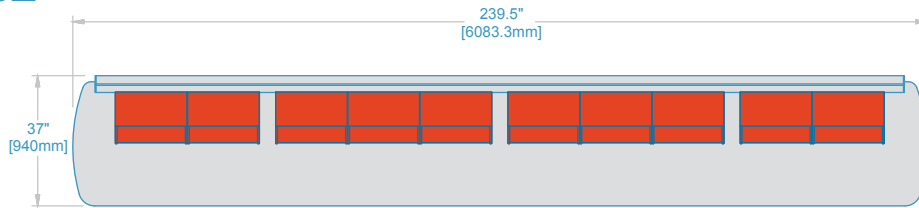


FC-GCX-C333



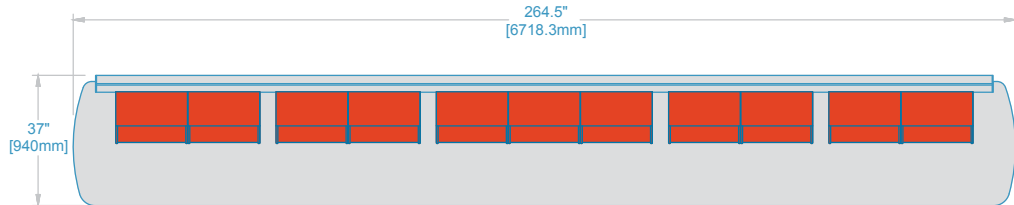
LINEAR C-TOP EDGE DETAIL

FC-GCX-C2332



LINEAR C-TOP EDGE DETAIL

FC-GCX-C22322



LINEAR C-TOP EDGE DETAIL

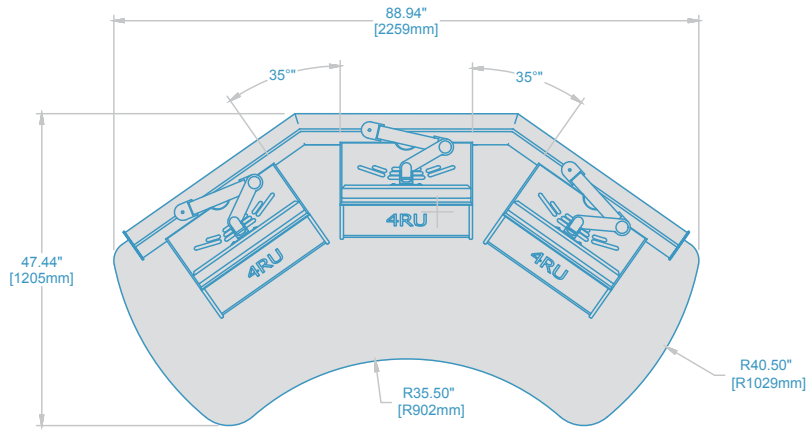
FC-GCX-C333			
	COUNTERTOP END DETAIL		
	CURVED	SQUARED	CAPPED
WIDTH	214.75"	212"	202.5"
DEPTH	37"		
MAX RU's	45RU (9x5RU)		
NUMBER OF OPERATORS	3 - 4		
C-TOP DEPTH (Turret To Edge)	Scalloped 16" Linear 18.2"		

FC-GCX-C2332			
	COUNTERTOP END DETAIL		
	CURVED	SQUARED	CAPPED
WIDTH	239.5"	237"	227.5"
DEPTH	37"		
MAX RU's	50RU (10x5RU)		
NUMBER OF OPERATORS	4 - 5		
C-TOP DEPTH (Turret To Edge)	Scalloped 16" Linear 18.2"		

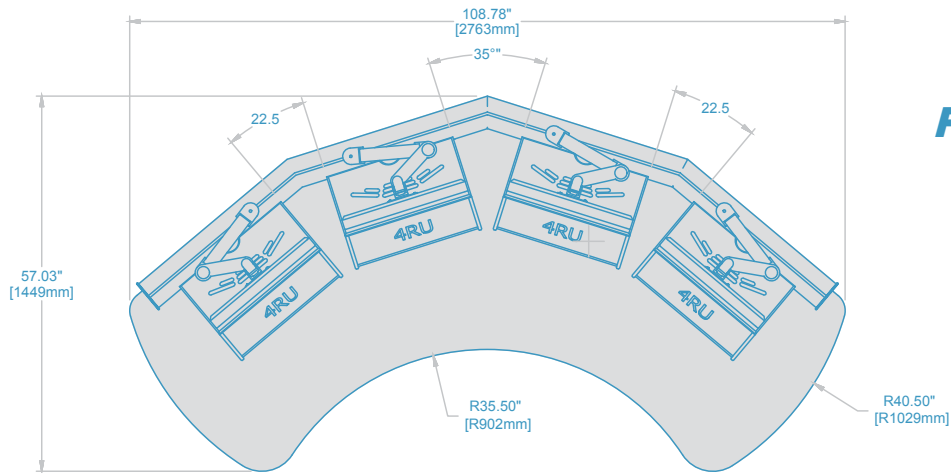
FC-GCX-C22322			
	COUNTERTOP END DETAIL		
	CURVED	SQUARED	CAPPED
WIDTH	264.5"	261.75"	252"
DEPTH	37"		
MAX RU's	55RU (11x5RU)		
NUMBER OF OPERATORS	5 - 6		
C-TOP DEPTH (Turret To Edge)	Scalloped 16" Linear 18.2"		

GCX-C Continuum™

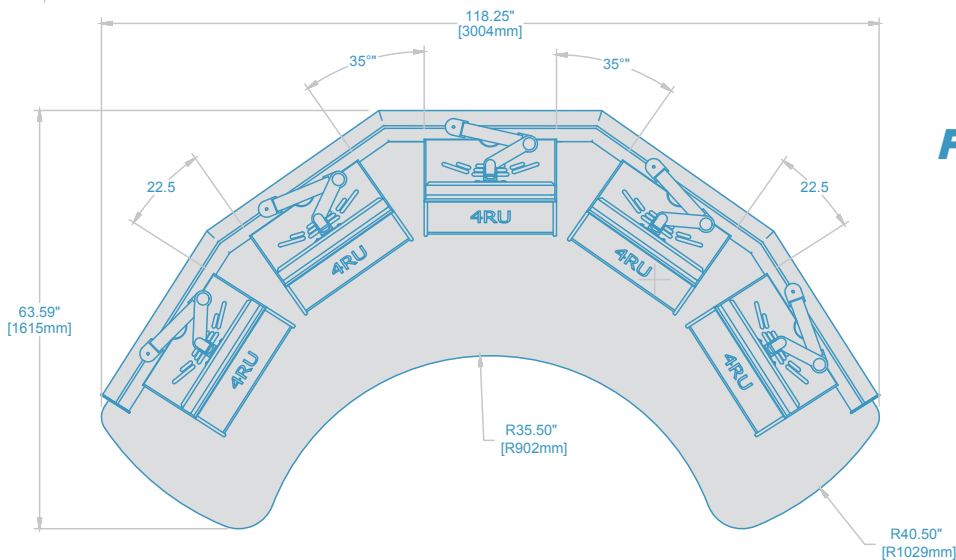
Expandable and Configurable



FC-GCX-C13



FC-GCX-C14



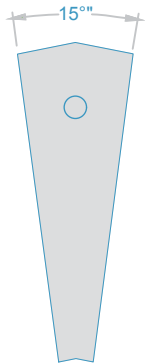
FC-GCX-C15

All designs, plans, ideas & specifications in this drawing remain the entire property of Forecast Consoles Inc. and may not be reproduced or used in any manner without written consent.

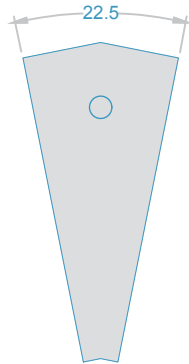
(631) 253-9000 or info@forecast-consoles.com

GCX-C Continuum™

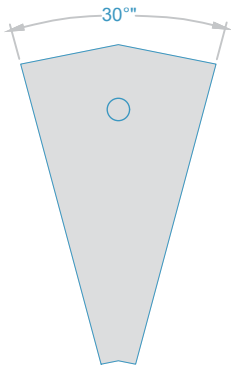
Expandable and Configurable



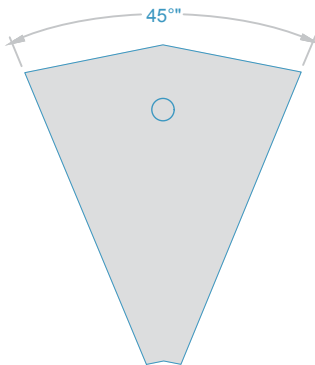
FC-GCX-TR-15
(15° transition angle)



FC-GCX-TR-22.5
(22.5° transition angle)

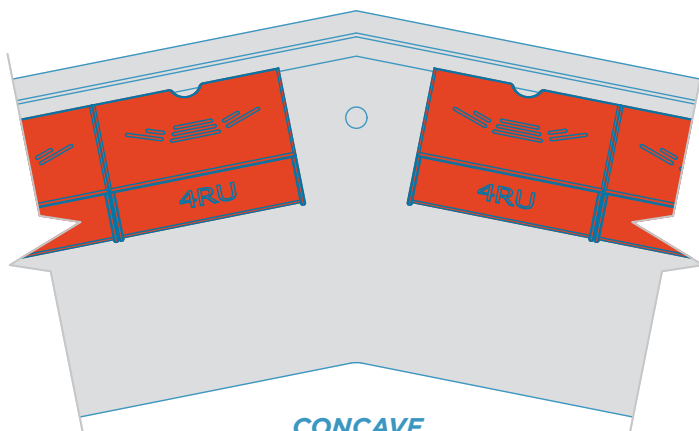
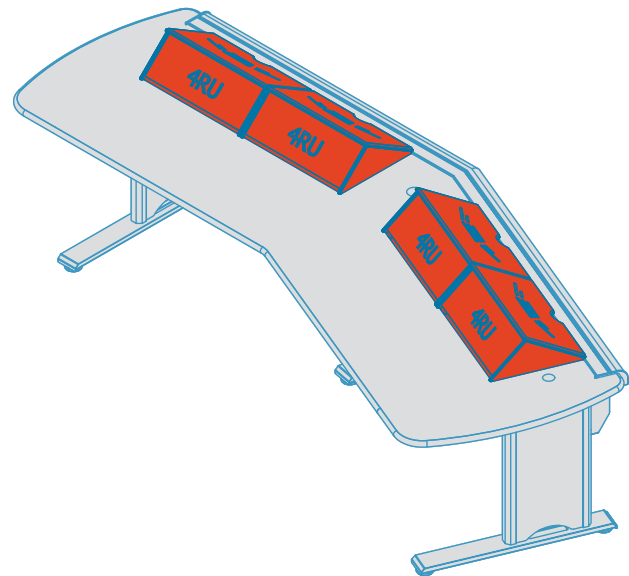


FC-GCX-TR-30
(30° transition angle)

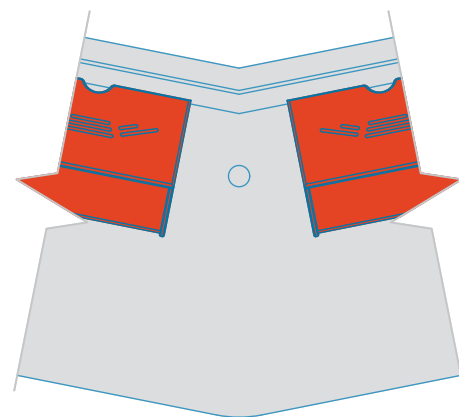


FC-GCX-TR-45
(45° transition angle)

Transitions offered in four angles to build concave or convex curves



CONCAVE
(Towards the user)



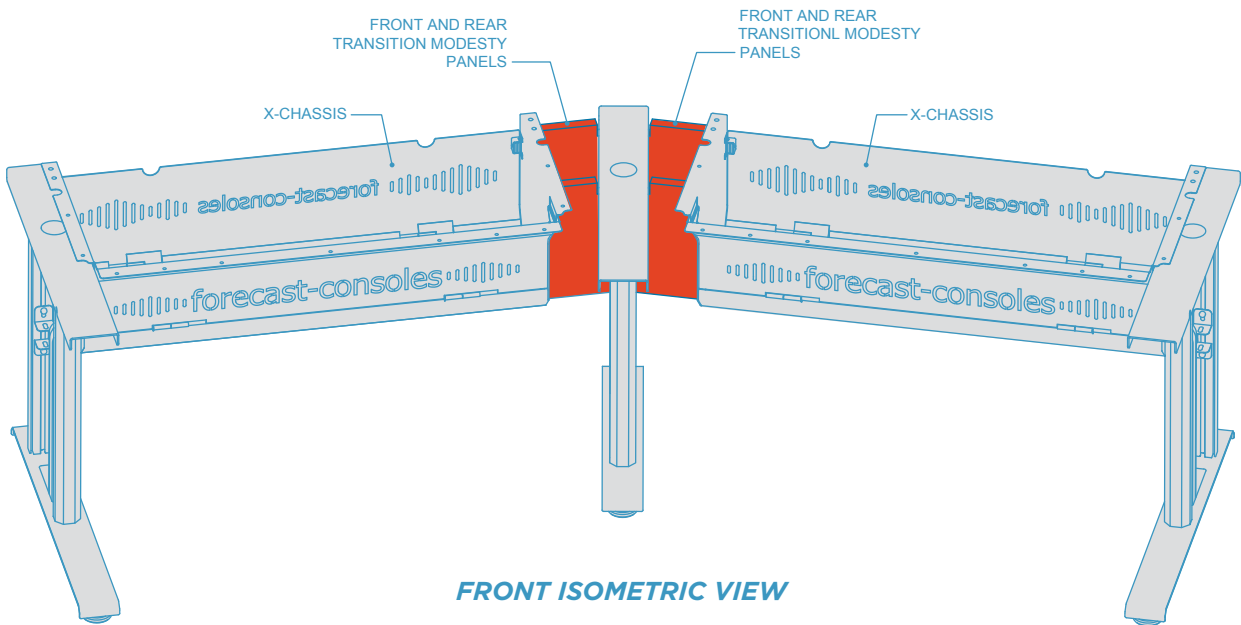
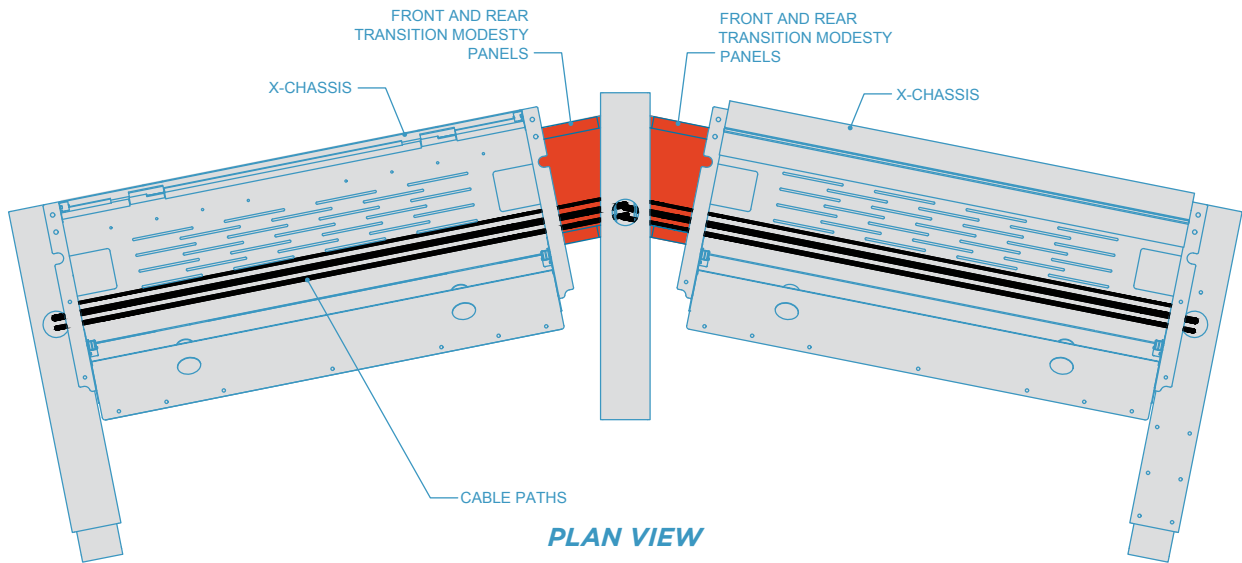
CONVEX
(Away from user)

GCX-C Continuum™

Expandable and Configurable



Removable modesty panels hide cables between transitions



All designs, plans, ideas & specifications in this drawing remain the entire property of Forecast Consoles Inc. and may not be reproduced or used in any manner without written consent.

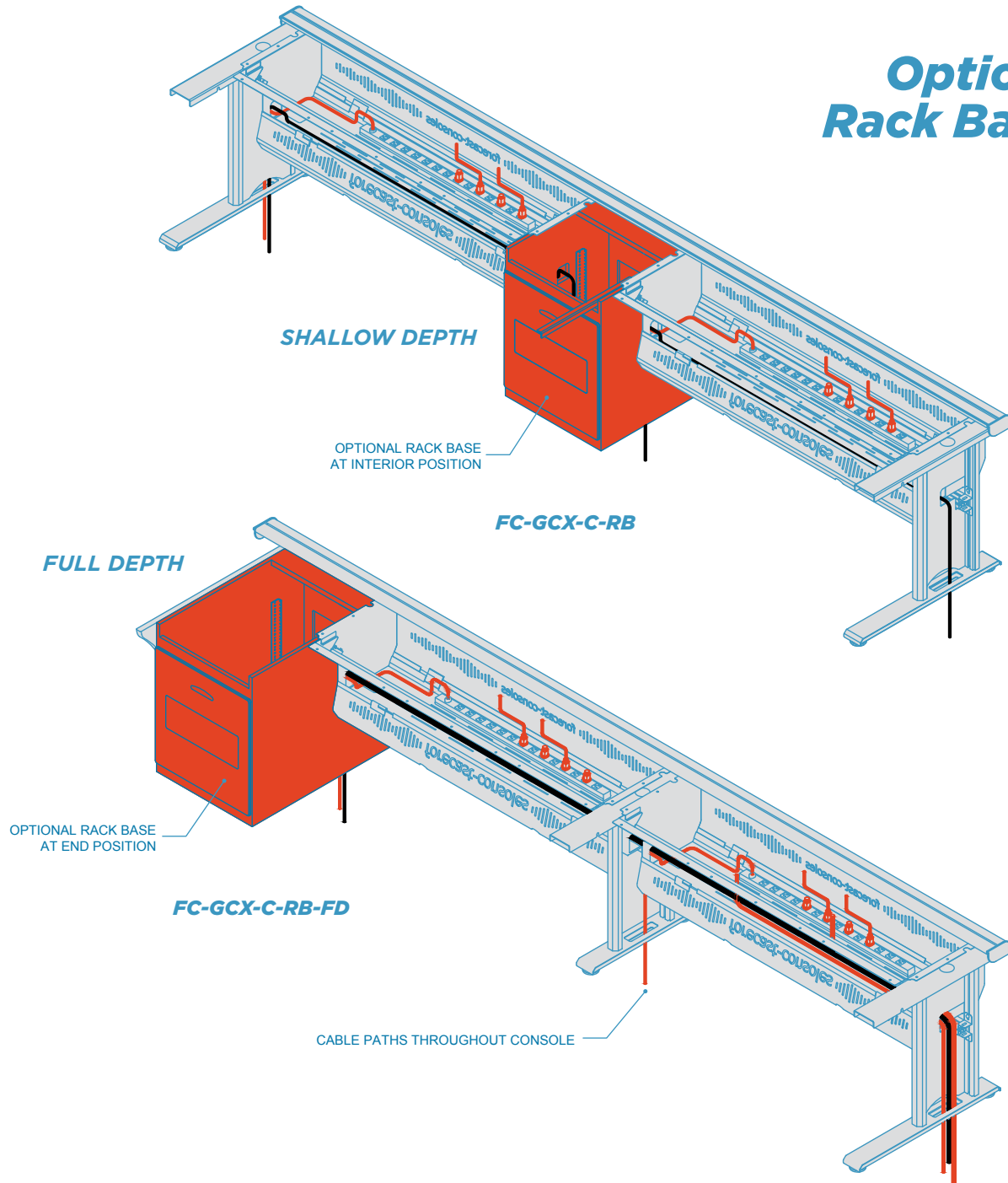
(631) 253-9000 or info@forecast-consoles.com

GCX-C Continuum™

Expandable and Configurable

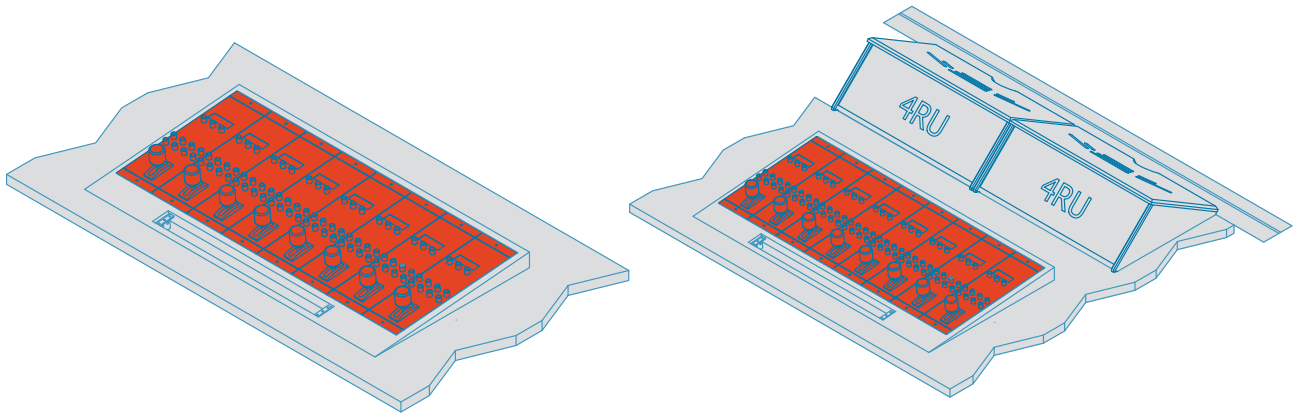


Optional Rack Bases





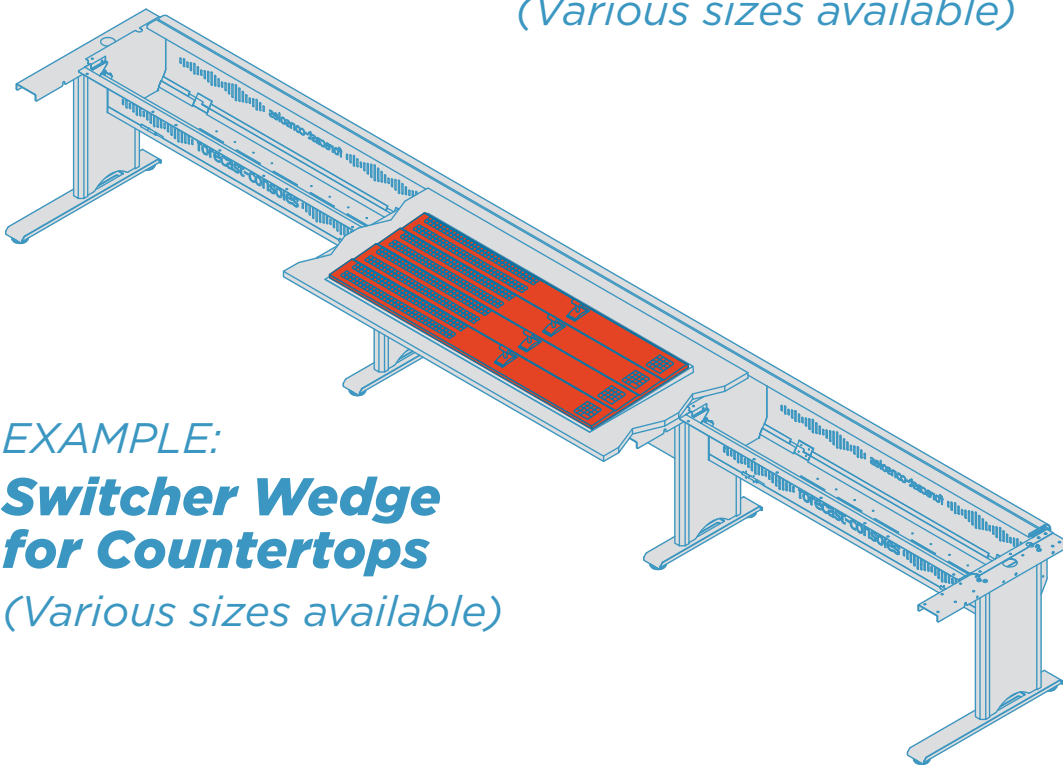
OPTIONAL EQUIPMENT WEDGES



EXAMPLE:

RCP Wedge for Countertops

(Various sizes available)



EXAMPLE:

Switcher Wedge for Countertops

(Various sizes available)

GCX-C Continuum™

Expandable and Configurable



MONITOR
POST MOUNT ARM



FC-PA-14-S
(30lb Weight Capacity)

DUAL MONITOR
POST MOUNT ARM



FC-PA-28-D
(40lb Weight Capacity)

FULLY ARTICULATING
MONITOR ARM



FC-AA-0313
(3-13lb Weight Capacity)
FC-AA-0825
(8-25lb Weight Capacity)
FC-AA-1331
(13-31lb Weight Capacity)

POST MOUNT
SPEAKER PLATFORM



FC-PA-14 SPEAKER
14" Post (20lb Weight Capacity)
FC-PA-28 SPEAKER
28" Post (20lb Weight Capacity)

MasteRail™ Universal Mounting System*

Aluminum Extrusion has a channel used to mount a variety of accessories giving you maximum flexibility. (Mounts and accessories sold separately.)

*Available in all GCX models

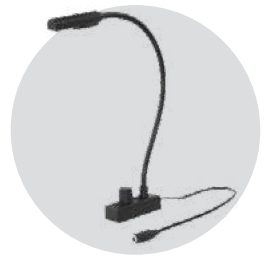


ARTICULATING
TELEPHONE
POST MOUNT



FC-PA-14-PHONE

GOOSENECK
TASK LIGHT

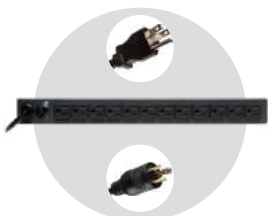


FC-AC-GOOSENECK LT

Power Distribution Options

Rack Mount Power Distribution Units can be mounted in different locations depending on your wiring requirements.

RACK MOUNT (12)
OUTLET POWER STRIP



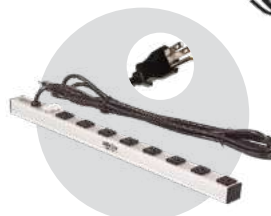
FC-RS1215 (15 Amp)
FC-RS1220 (20 Amp)

FORECAST 1RU
POWER DATA UNIT



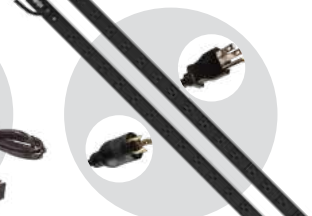
FC-PDM-1

24" (8) OUTLET
POWER STRIP



FC-PS0815

36" (14) OUTLET
POWER STRIP

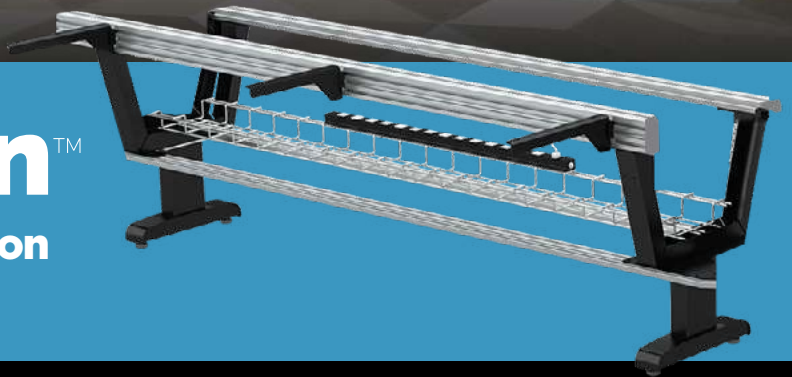


FC-PS1415 (15 Amp)
FC-PS1420 (20 Amp)



MasterVision™

Low profile, **Cut-to-Fit Skeleton**
Based Console System



***Designed for Improved Sightlines,
Future Expansion and Ease of Integration***

TABLE OF CONTENTS:

<i>MASTERVISION</i>	47
■ The anatomy of a MasterVision.....	50
■ The technology inside MasterVision.....	51
■ The look of your MasterVision	52
■ Configure your MasterVision	53
■ Turret Options.....	54
■ Removable Rack Insert.....	56
■ Removable CPU Shelf	57
■ Countertop Options.....	58
■ Countertop Heights.....	59
■ Wiring.....	60
■ Transitions	62
■ Wedges	64
■ Accessories.....	65

The MasterVision Advantage:

OPEN
Architecture



The open frame design and continuous integrated cableway makes pulling cables and wiring easier and more accessible.

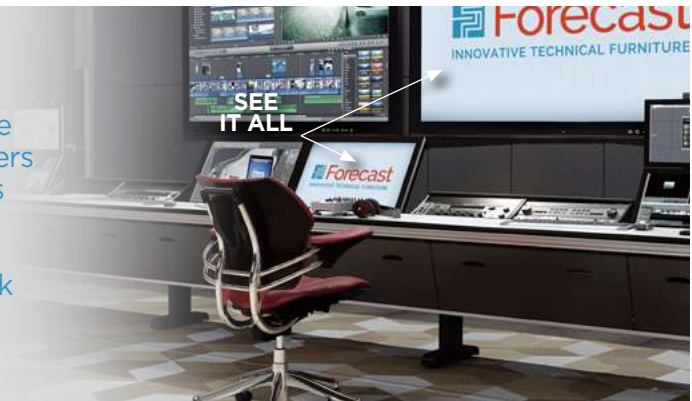


MasterVision rack turrets and monitor drop wells can easily be removed and replaced to meet changing equipment needs. Just lift and replace, no tools needed.

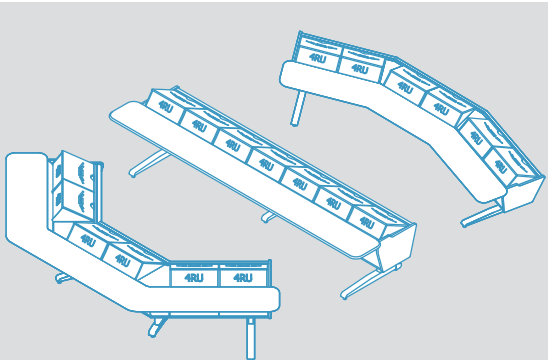
TOOL-LESS
Adjustments

LOW
Profile

MasterVision's sleek, low profile design gives users better sightlines and a shorter reach to touch screens and rack equipment.



SEE IT ALL



MasterVision consoles can be configured to fit almost any space. Angular transitions are also available to create custom footprints.

CUT TO FIT
Anywhere

The anatomy of a MasterVision:



- 1 Custom designed aluminum extrusion forms a continuous central core.
- 2 Steel countertop arms interlock into the front extrusion and can be positioned and repositioned as needed.
- 3 Steel stanchions form the structure of the continuous central core.
- 4 Steel leg assemblies include adjustable levelers and cable pass-through to allow easy routing to the floor.
- 5 Removable front and rear panels to allow for easy access.

- 6 Continuous wire cableway.
- 7 Optional 14 outlet power distribution can be mounted along entire central core.
- 8 Vented lift-off removable turrets available in 2, 3, 4 & 5 rack units.
- 9 Drop wells and countertop extensions are available in 1/2 & 1 rack bay wide or custom width
- 10 Rear extrusion for mounting accessories.

The technology inside MasterVision:

Total Access & Flexibility

OPEN ARCHITECTURE BASE STRUCTURE

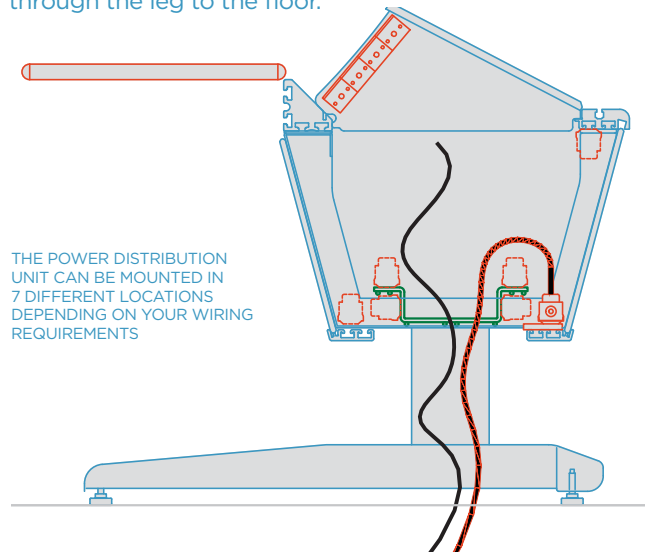
The open frame design and continuous integrated cable tray makes pulling cables and wiring easier than ever. Laser-cut machine formed steel stanchions and footings are unified with anodized aluminum extrusions, maximizing strength and reducing overall weight. Extrusions can be cut to any length and are not restricted to bay widths.



Run wiring through legs

CABLE PASS-THROUGH IN LEG

Cables can easily pass from your equipment through the leg to the floor.



Continuous Cableways

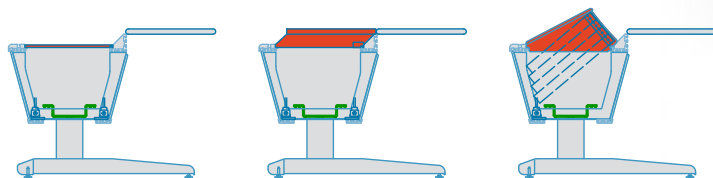
Cable management throughout the console.



Ready for all your gear

EASILY ARRANGE AND RE-ARRANGE TURRETS AND FILLERS AS NEEDED

Rack Turrets are available in 2, 3, 4 and 5 rack units. Countertop extensions and drop-wells are also available. Both have cable pass-through slots to allow desktop equipment cables to pass into the central core.



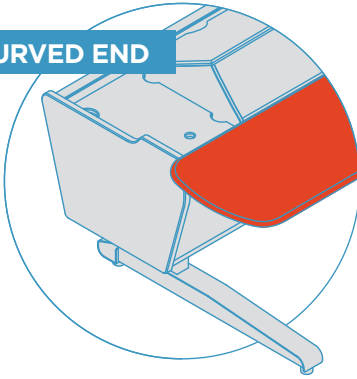
The look of your MasterVision:

Give your consoles their own look

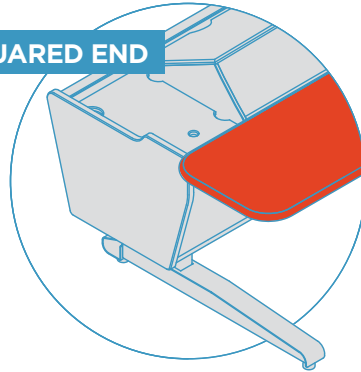
COUNTLESS COUNTERTOP VARIATIONS

Various countertop shapes, end details, materials and colors allow you to create the console of your dreams

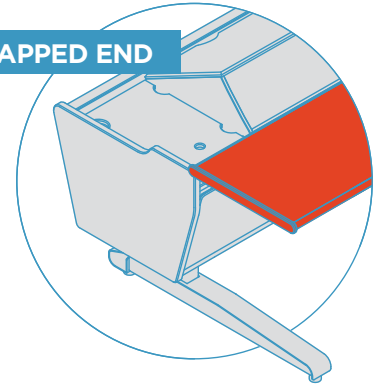
CURVED END



SQUARED END



CAPPED END



LAMINATE OR
LINOLEUM
WITH T-MOLDING



SOLID
SURFACE



ACRYLIC



LAMINATE
W/ COMFORT EDGE
(OUTSOURCED)

Standard Laminates



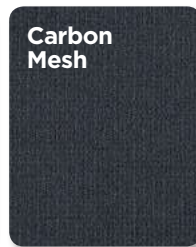
Graphite
Nebula



Pewter
Brush



Oiled Soap
Stone



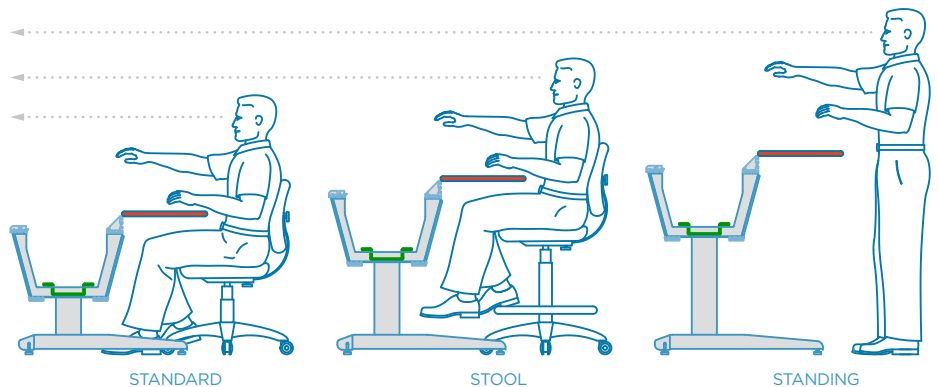
Carbon
Mesh



Asian
Night

Down in front!

Height options allow for better sightlines for rear rows.

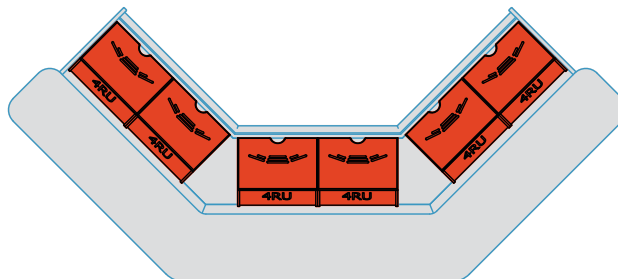
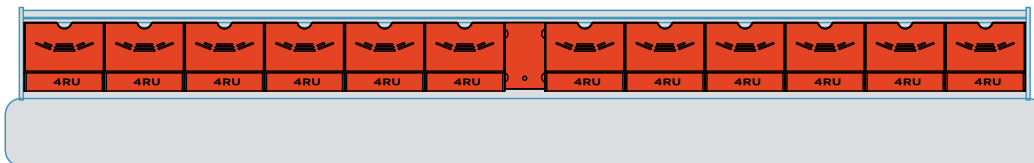
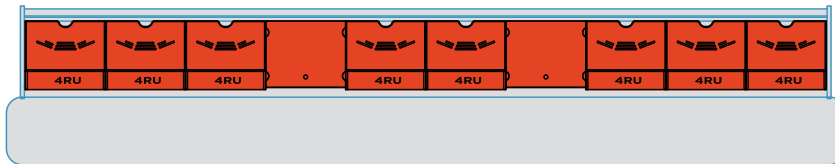
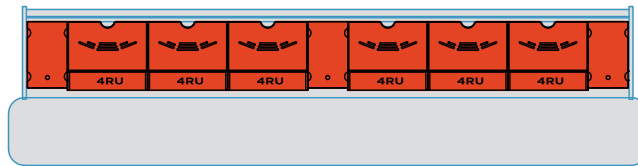
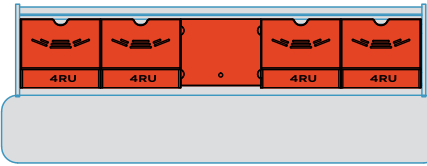
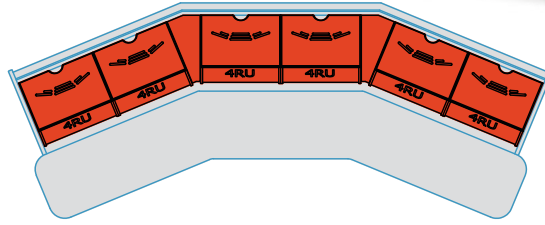


Configure your MasterVision:

Infinitely Expandable and Configurable

MASTERVISION FITS ANY AND EVERY ROOM SIZE OR SHAPE

MasterVision can be configured in concave or convex curves as well as free-form S-shape layouts. The lower transition panels ensure that wiring between the units are protected and hidden from view. Custom transition angles are available as an option. Aluminum extrusion is custom cut to match the final shape ensuring easy addition and relocation of the monitor arms and other mounted accessories.





MasterVision Inserts & Turrets



Ready For All Your Gear:

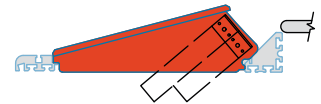
All turrets are vented and easily removable without tools. Drop well and countertop fillers are available in 1 and 1/2 bay sizes. Both have cable pass-through slots to allow desktop equipment cables to pass into the central core.



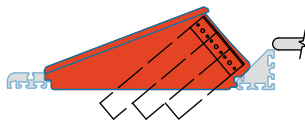
DROPWELL



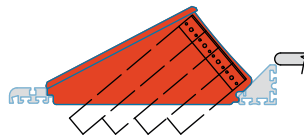
COUNTERTOP EXTENSION



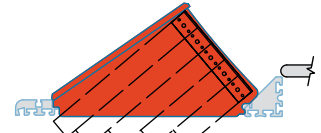
2RU TURRET



3RU TURRET



4RU TURRET



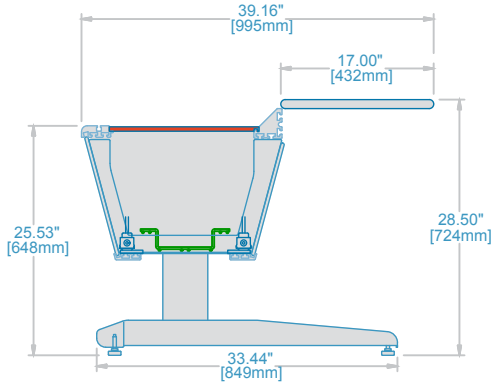
5RU TURRET

MasterVision™

Specs & Configurations

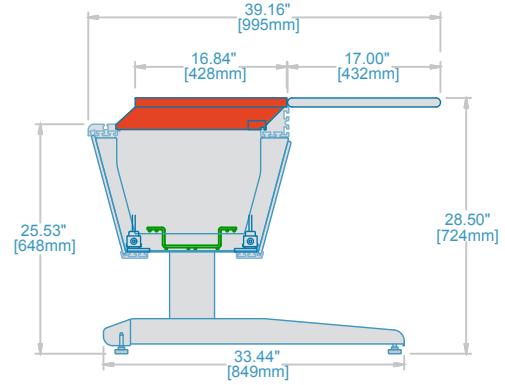


FC-MV-DW-0.5 (1/2 Bay)
FC-MV-DW-1 (1 Bay)
FC-MV-DW-CUSTOM



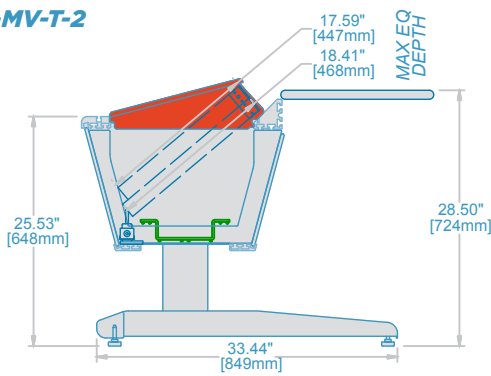
DROP WELL

FC-MV-CX-0.5 (1/2 Bay)
FC-MV-CX-1 (1 Bay)
FC-MV-CX-CUSTOM



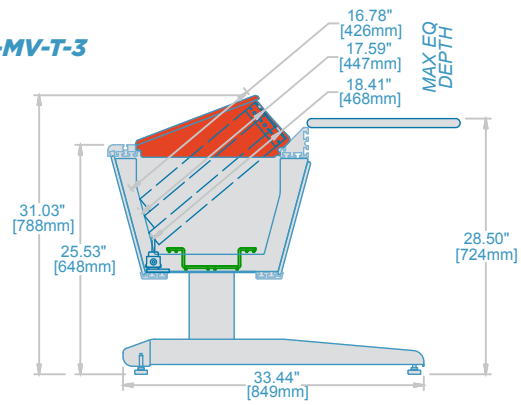
COUNTERTOP EXTENSION

FC-MV-T-2



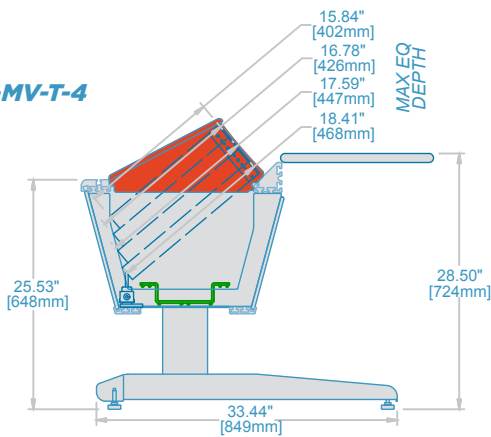
2RU TURRET

FC-MV-T-3



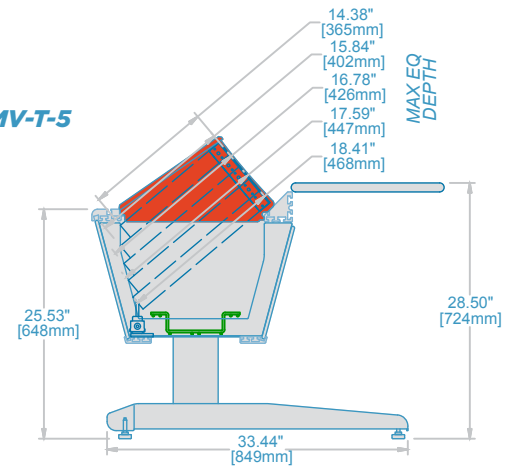
3RU TURRET

FC-MV-T-4



4RU TURRET

FC-MV-T-5



5RU TURRET

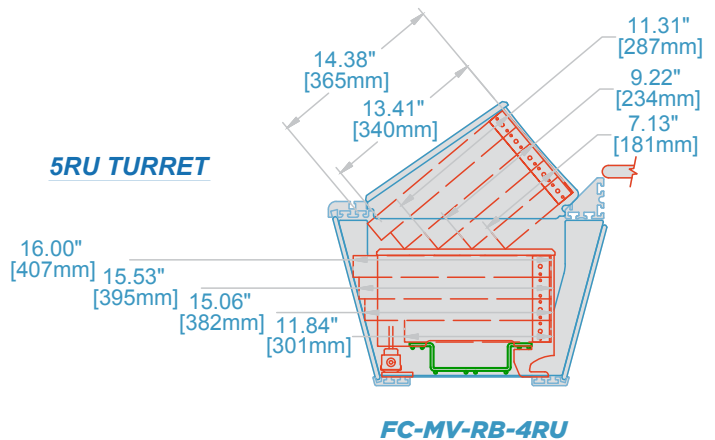
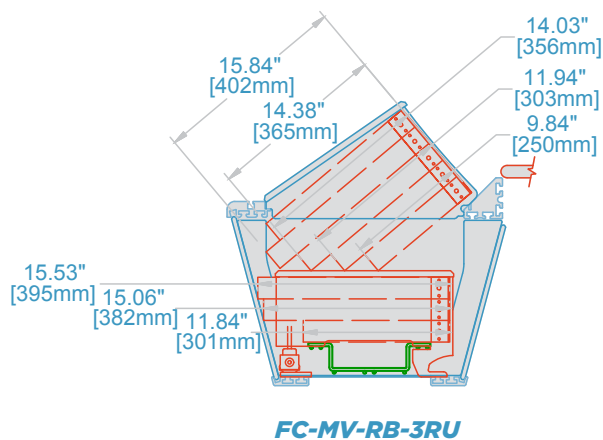
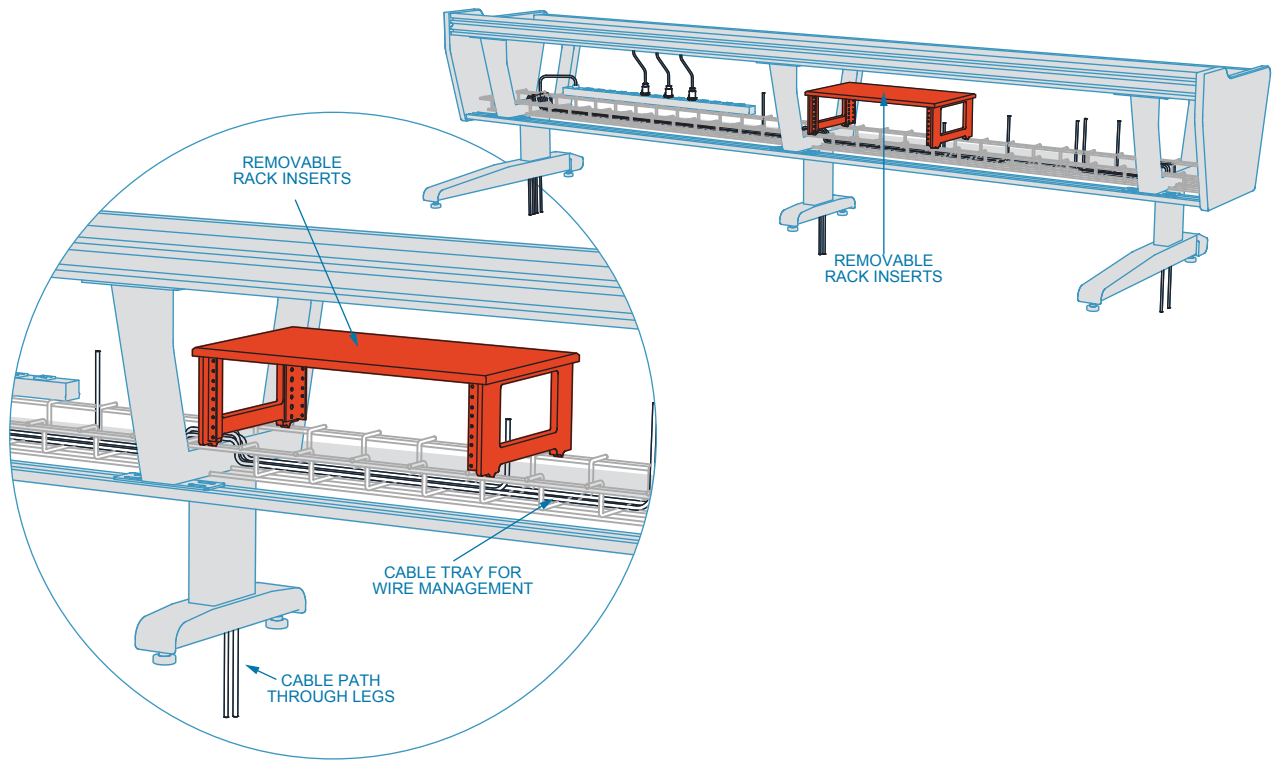
MasterVision™

Specs & Configurations



Removable Rack Inserts

MasterVision removable rack inserts are available in 3 and 4 rack unit. Diagrams below show maximum equipment depth when using a 5 rack unit turret and 3 and 4 rack unit undercounter rack insert combinations.



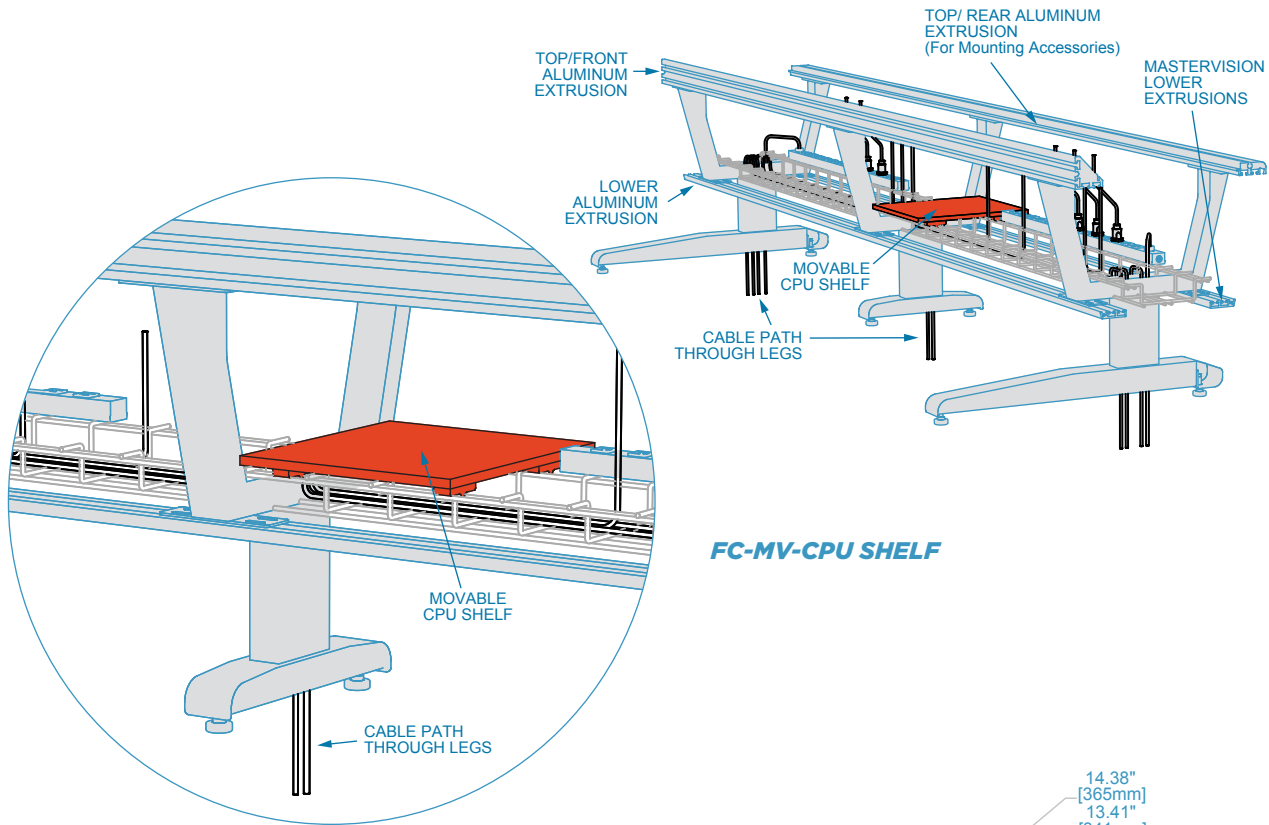
All designs, plans, ideas & specifications in this drawing remain the entire property of Forecast Consoles Inc. and may not be reproduced or used in any manner without written consent.

(631) 253-9000 or info@forecast-consoles.com

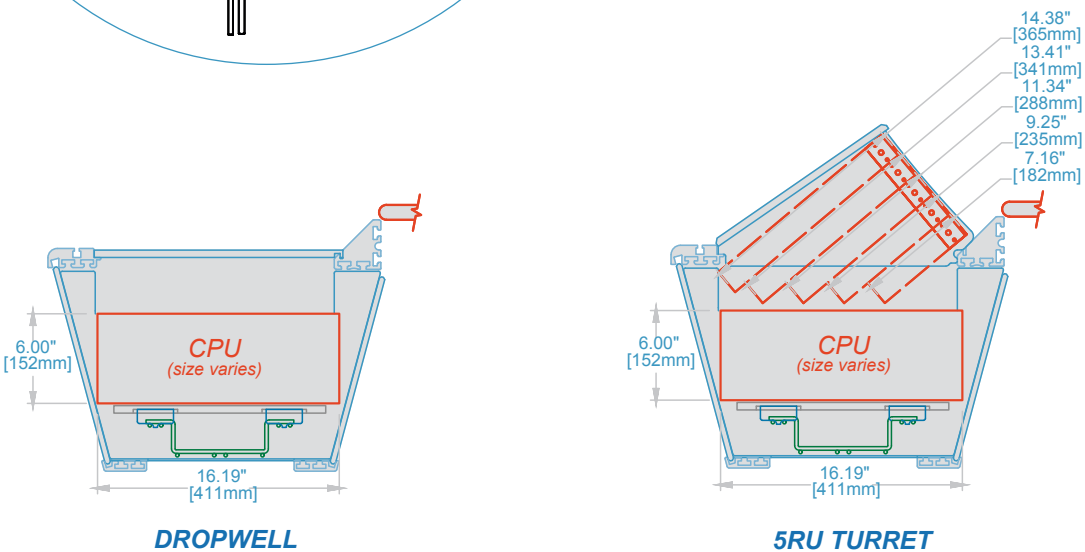


Removable CPU Shelf

When a CPU shelf is placed under an equipment turret the space is shared. Below diagrams shows max equipment depth when using a 6" tall CPU.



FC-MV-CPU SHELF



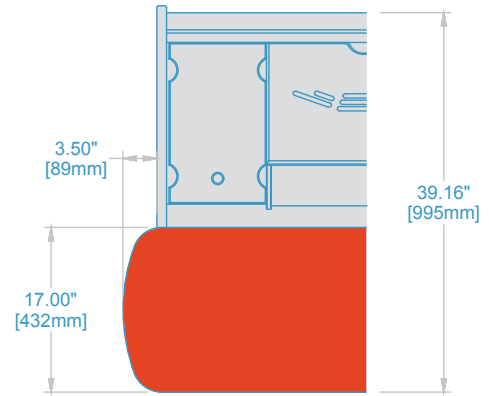
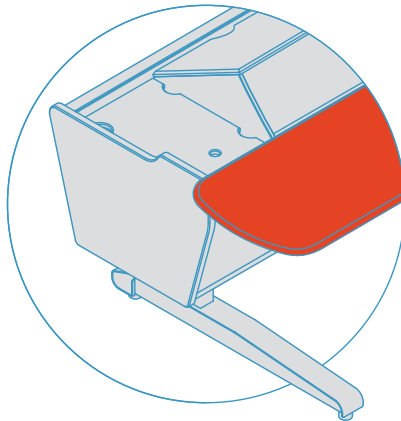
DROPPWELL

5RU TURRET

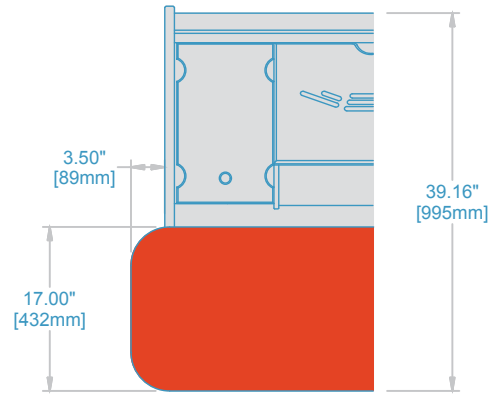
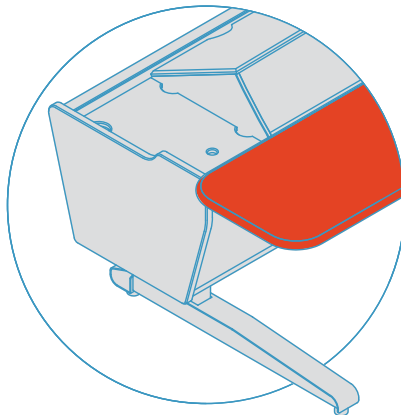


COUNTERTOP END DETAILS

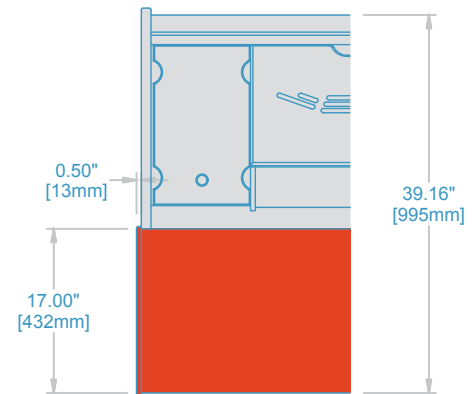
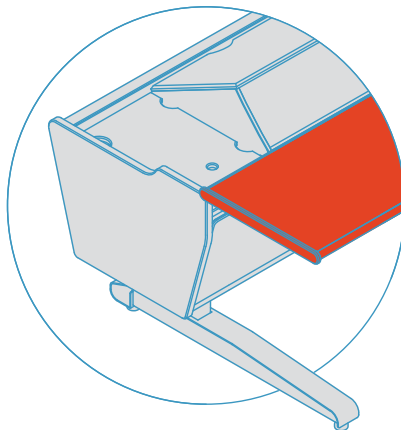
CURVED END
FC-MV-CTOP-A



SQUARED END
FC-MV-CTOP-B

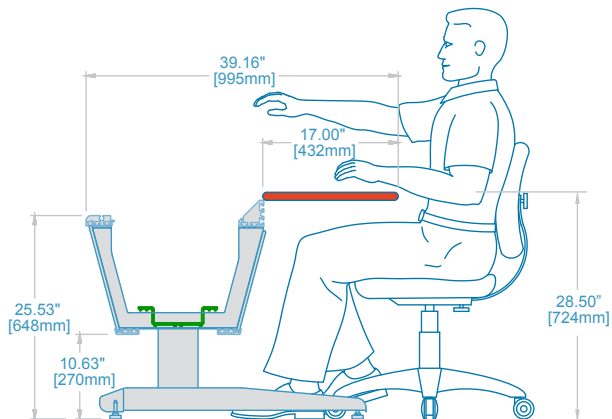


CAPPED END
FC-MV-CTOP-C





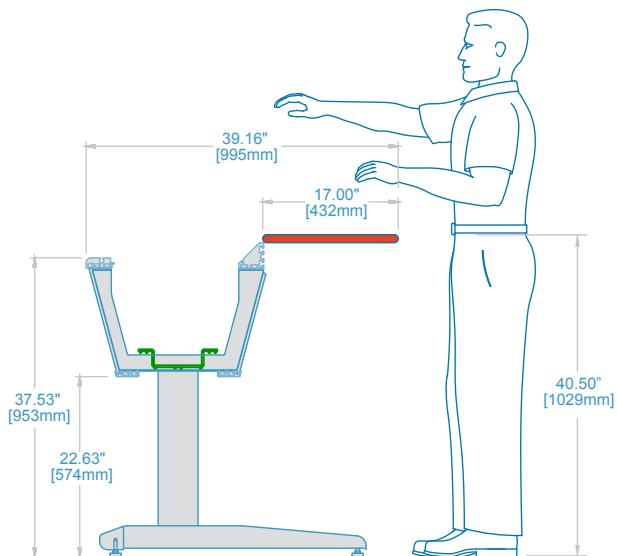
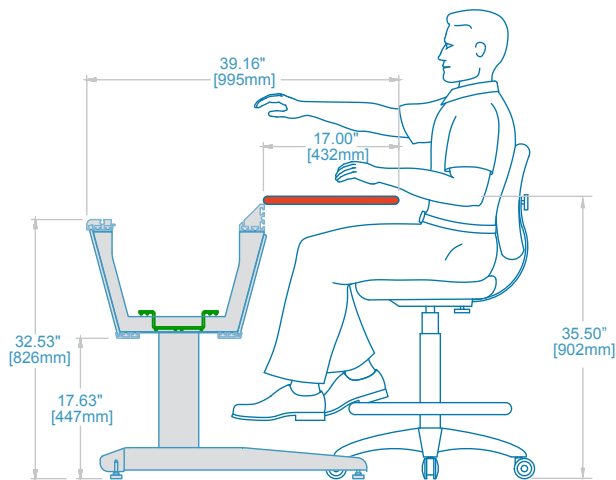
MasterVision built for your needs: Multiple heights available



Standard Countertop Height

Stool Height Countertop

Common for production control room 2nd rows when sightlines to the monitor wall are hindered by standard height console.



Standing Height Countertop

Common for production control room 3rd rows when sightline to the monitor wall are hindered by a stool or standard height console.

MasterVision™

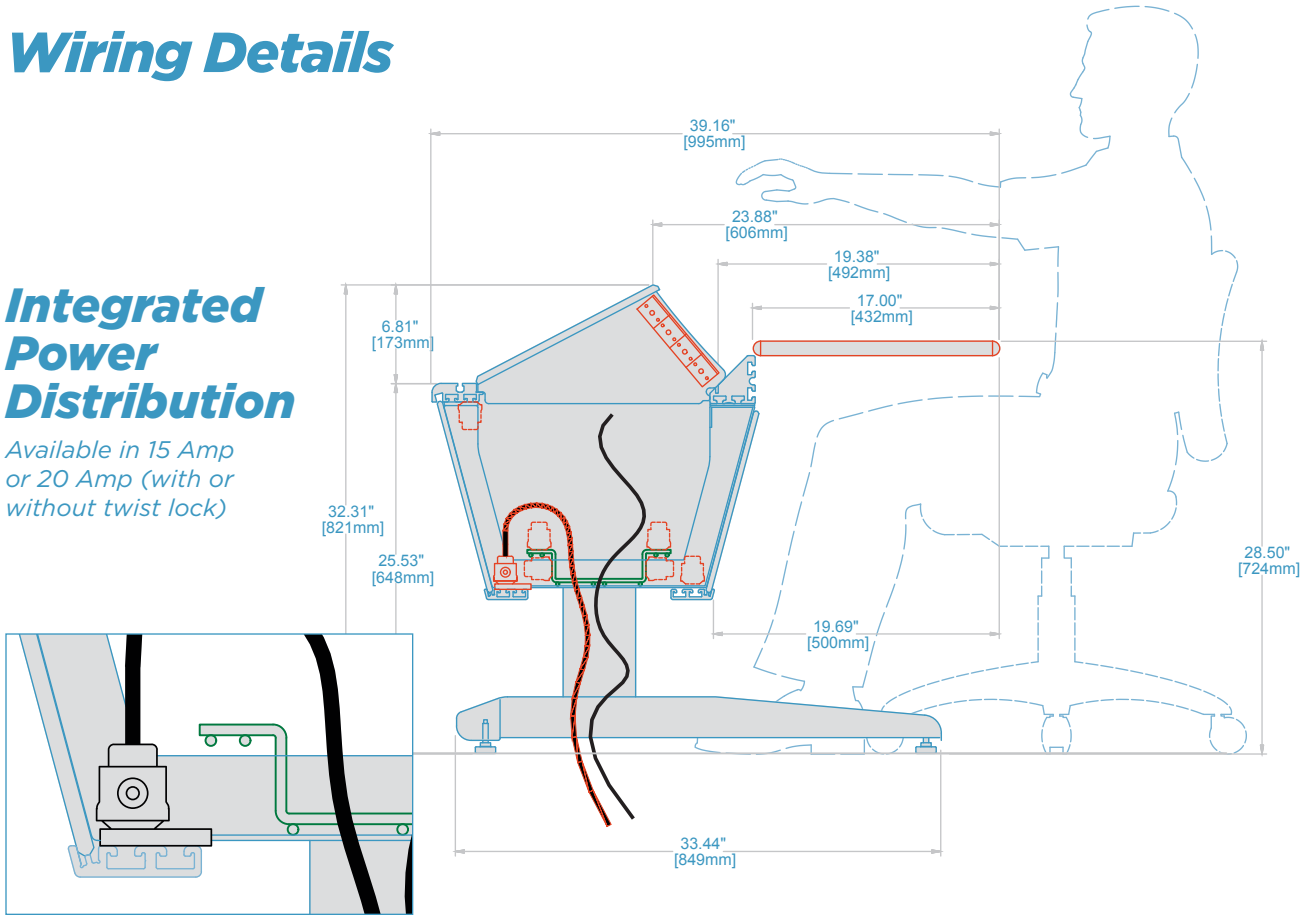
Specs & Configurations



Wiring Details

Integrated Power Distribution

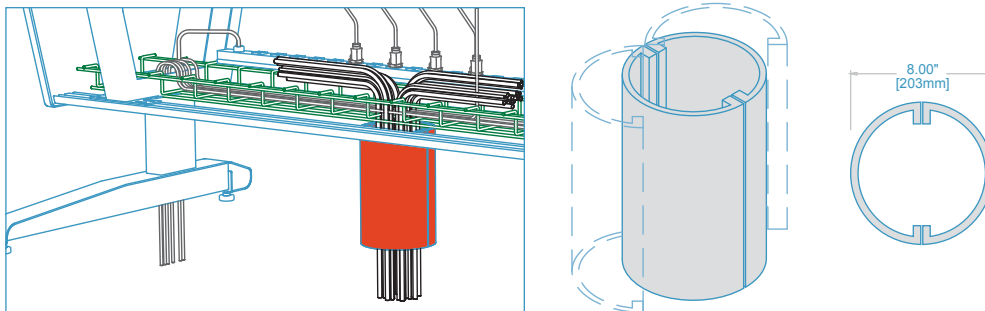
Available in 15 Amp or 20 Amp (with or without twist lock)



Cable Chimney

FC-MV-CABLE CHIMNEY

For larger amounts of cables, chimneys enclose the cables neatly and securely anywhere along the underside of the central core



All designs, plans, ideas & specifications in this drawing remain the entire property of Forecast Consoles Inc. and may not be reproduced or used in any manner without written consent.

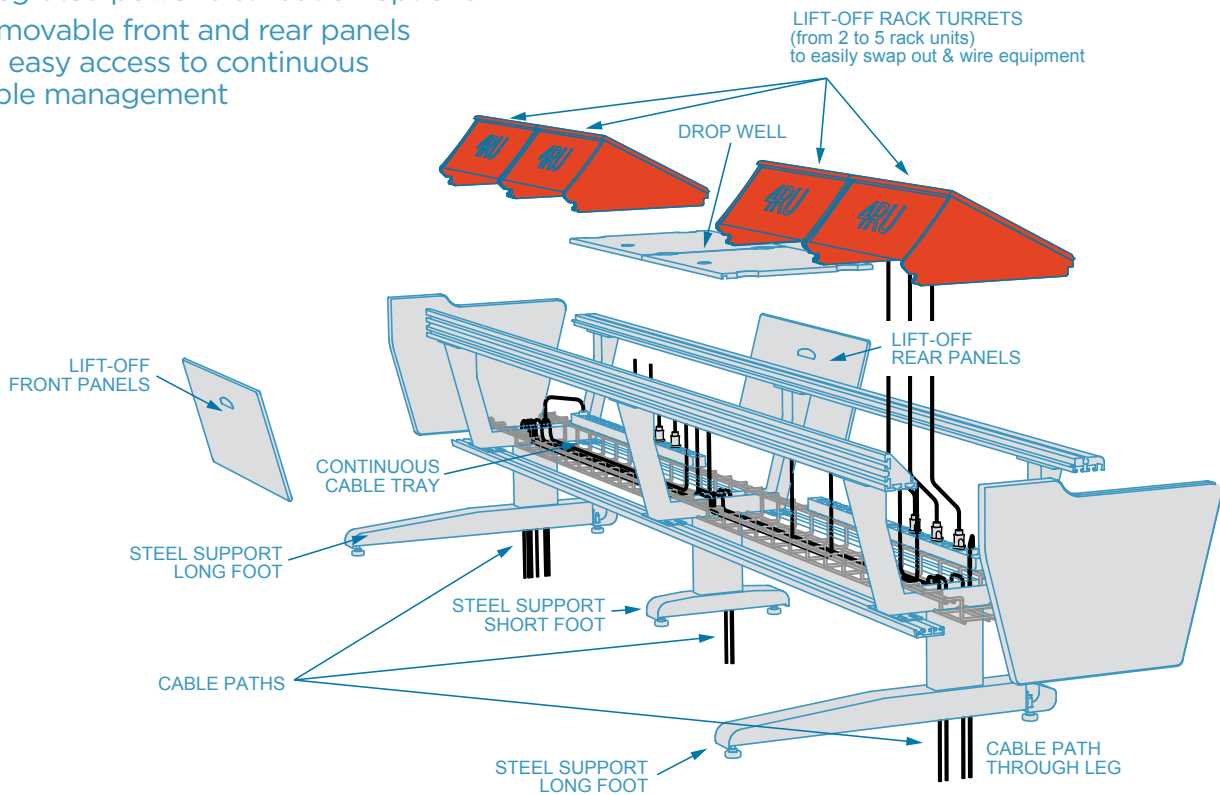
(631) 253-9000 or info@forecast-consoles.com



The Ease of Wiring MasterVision

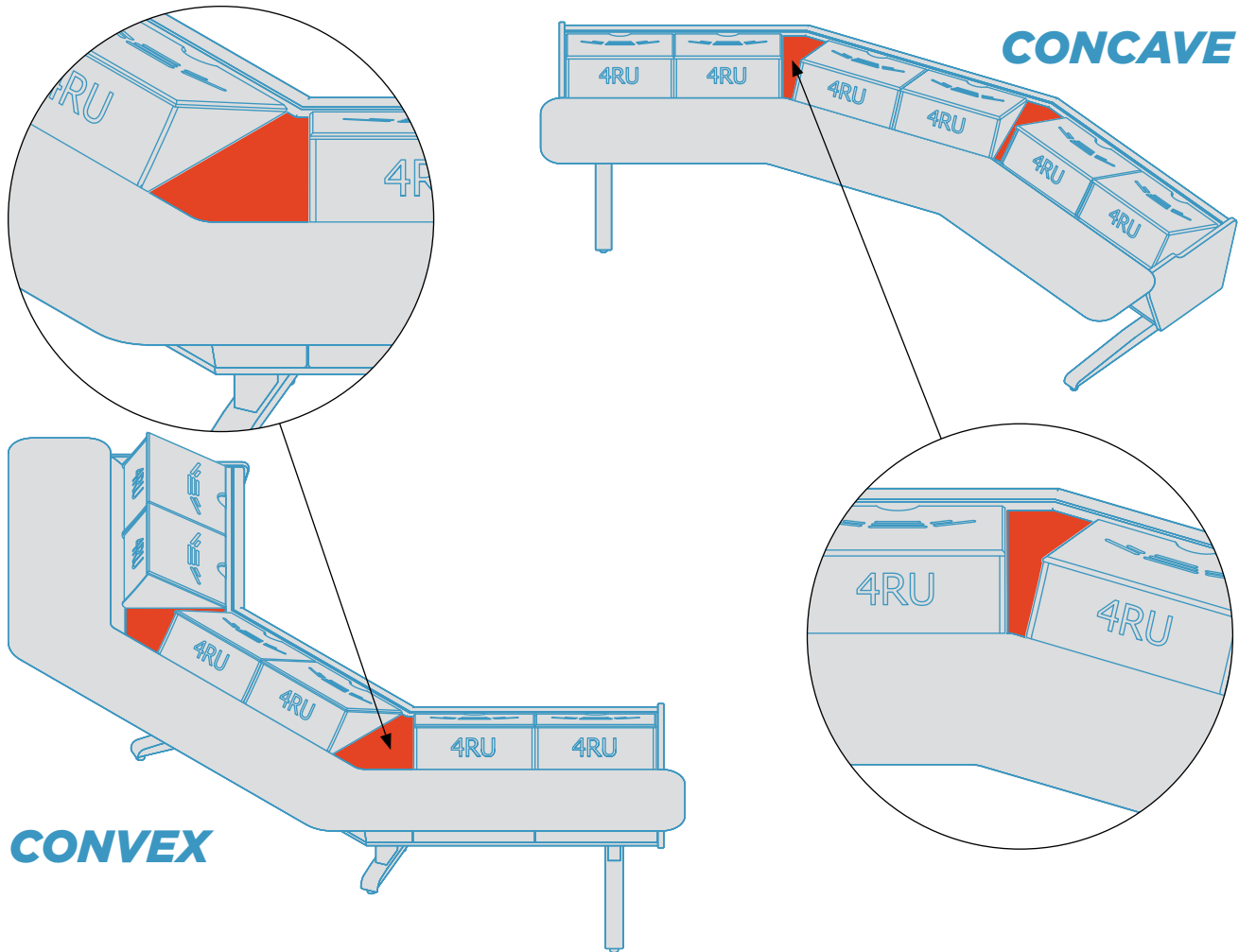
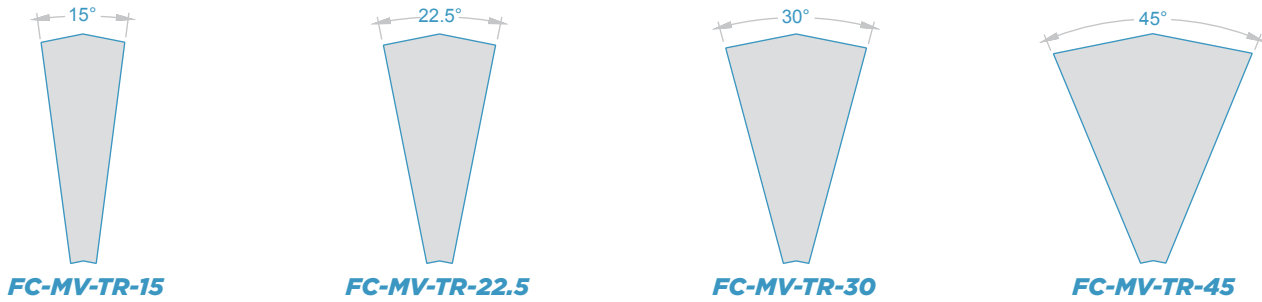


- Integrated power distribution options
- Removable front and rear panels for easy access to continuous cable management





Standard Concave or Convex Transition Angles

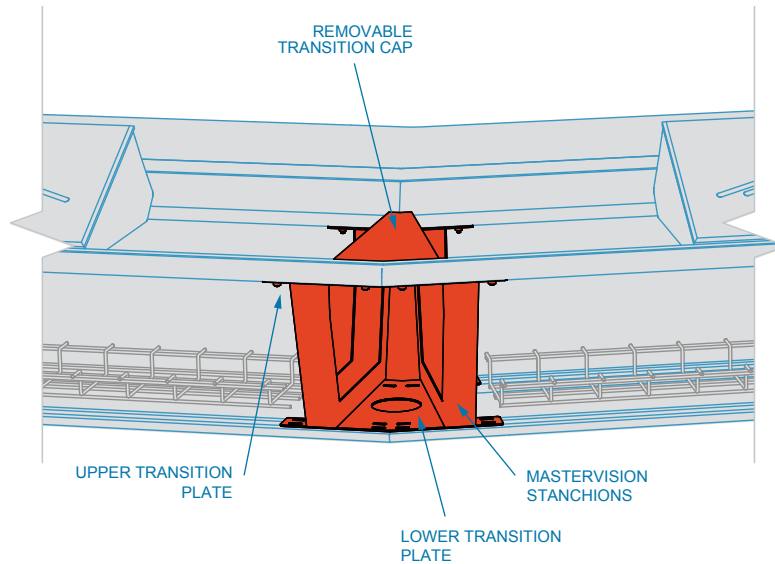
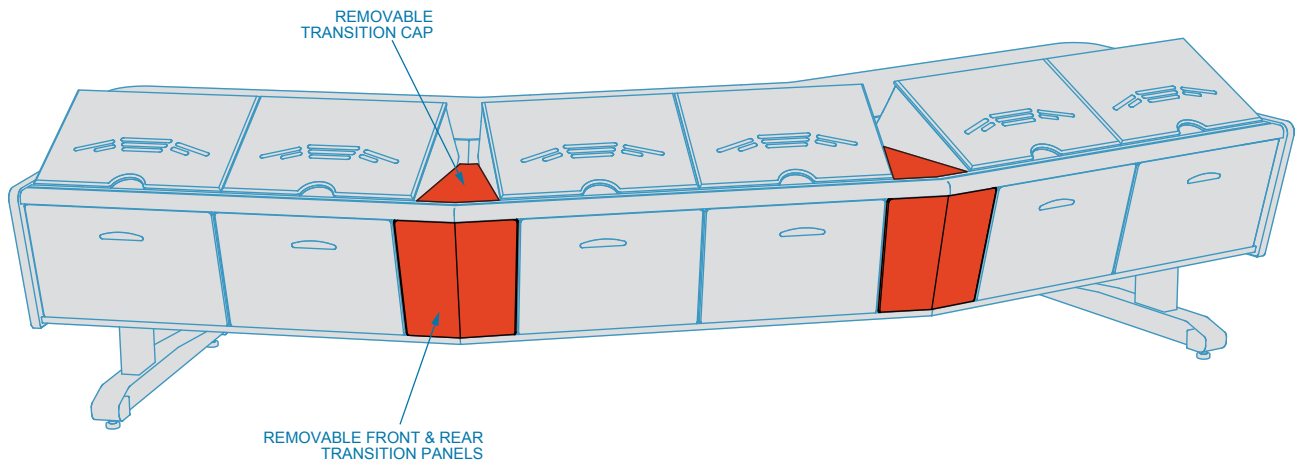


All designs, plans, ideas & specifications in this drawing remain the entire property of Forecast Consoles Inc. and may not be reproduced or used in any manner without written consent.

(631) 253-9000 or info@forecast-consoles.com



Transition Component Parts

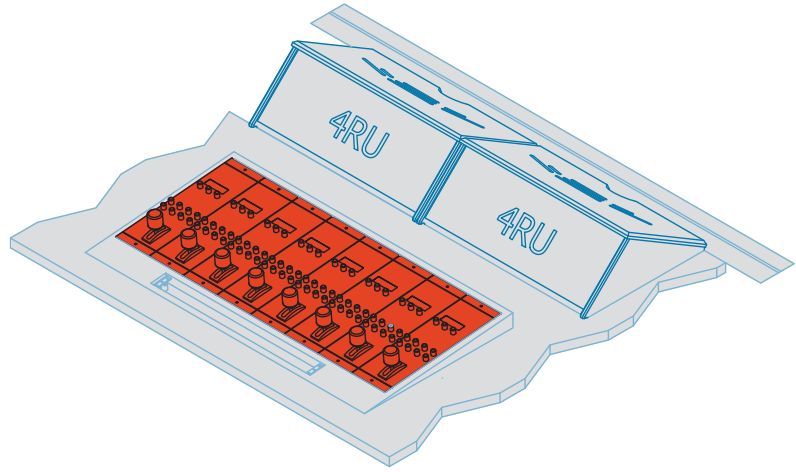


MasterVision™

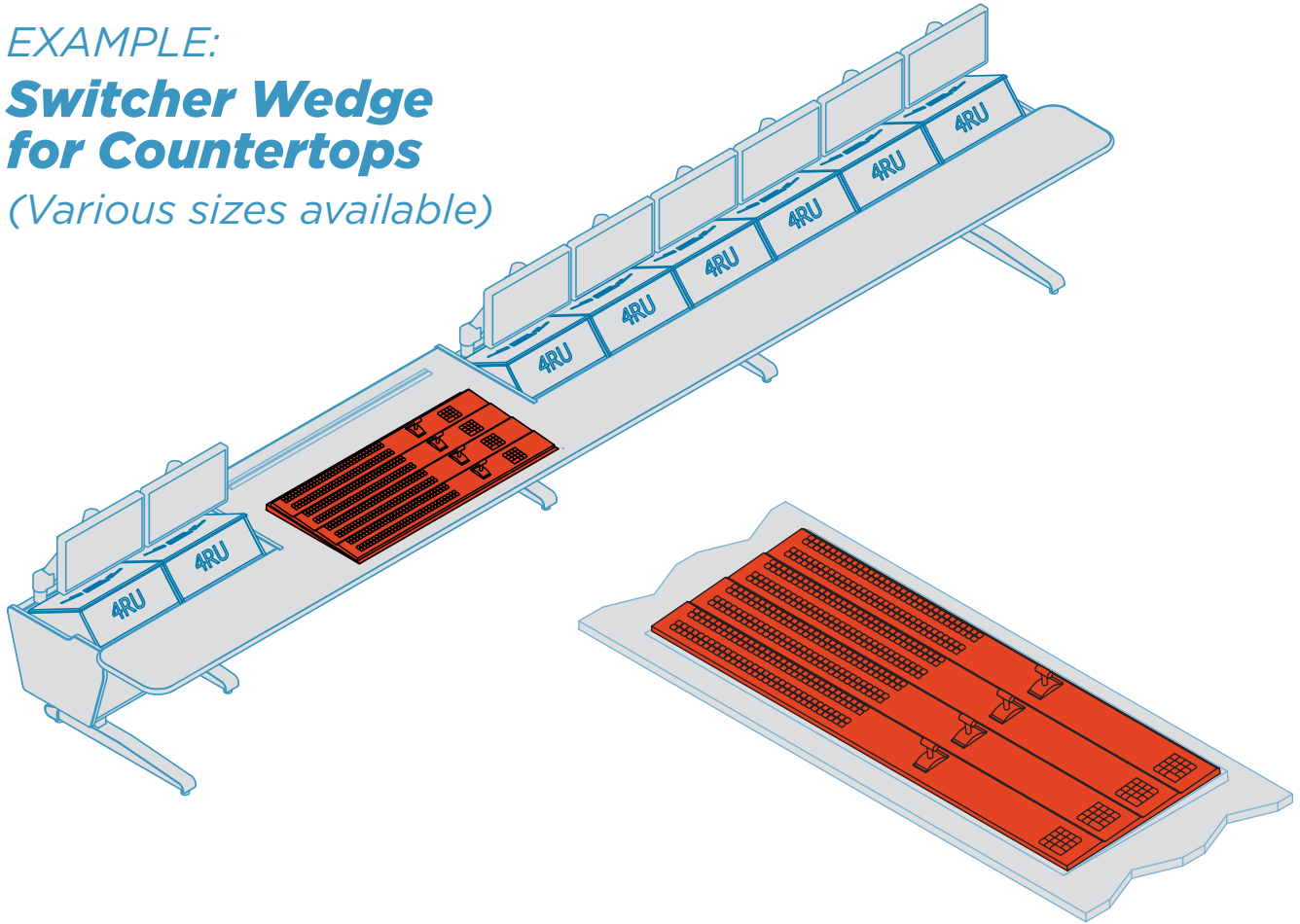
Specs & Configurations



EXAMPLE:
RCP Wedge for Countertops
(Various sizes available)



EXAMPLE:
Switcher Wedge for Countertops
(Various sizes available)



All designs, plans, ideas & specifications in this drawing remain the entire property of Forecast Consoles Inc. and may not be reproduced or used in any manner without written consent.

(631) 253-9000 or info@forecast-consoles.com

MasterVision™

Specs & Configurations



MONITOR
POST MOUNT ARM



FC-PA-14-S
(30lb Weight Capacity)

DUAL MONITOR
POST MOUNT ARM



FC-PA-28-D
(40lb Weight Capacity)

FULLY ARTICULATING
MONITOR ARM



FC-AA-0313
(3-13lb Weight Capacity)
FC-AA-0825
(8-25lb Weight Capacity)
FC-AA-1331
(13-31lb Weight Capacity)

POST MOUNT
SPEAKER PLATFORM



FC-PA-14 SPEAKER
14" Post (20lb Weight Capacity)
FC-PA-28 SPEAKER
28" Post (20lb Weight Capacity)



MasteRail™ Universal Mounting System*

Aluminum Extrusion has a channel used to mount a variety of accessories giving you maximum flexibility. (Mounts and accessories sold separately.)

*Available in all MasterVision™ models



ARTICULATING
TELEPHONE
POST MOUNT



FC-PA-14-PHONE

GOOSENECK
TASK LIGHT

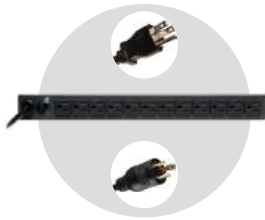


FC-AC-GOOSENECK LT

Power Distribution Options

Rack Mount Power Distribution Units can be mounted in different locations depending on your wiring requirements.

RACK MOUNT (12)
OUTLET POWER STRIP



FC-RS1215 (15 Amp)
FC-RS1220 (20 Amp)

FORECAST 1RU
POWER DATA UNIT



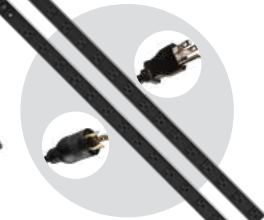
FC-PDM-1

24" (8) OUTLET
POWER STRIP

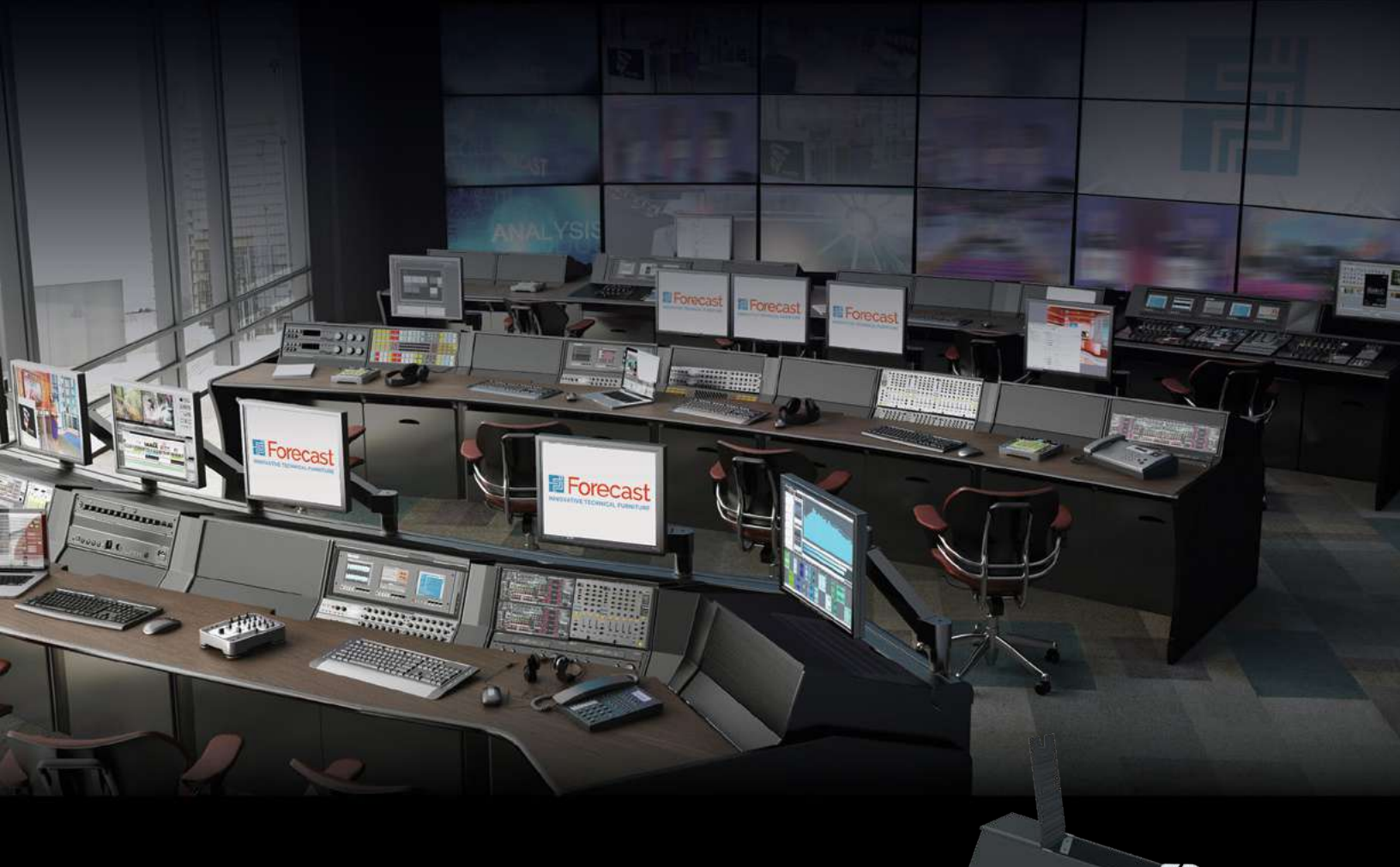


FC-PS0815

36" (14) OUTLET
POWER STRIP



FC-PS1415 (15 Amp)
FC-PS1420 (20 Amp)



MasteRail™

Full Capacity from the ground up,
Box Frame Based Console System



*Customizable, high capacity design
for control rooms with a diverse range
and density of equipment*

TABLE OF CONTENTS:

MASTERAIL	67
■ The anatomy of MasteRail	70
■ The technology inside MasteRail.....	71
■ The look of your MasteRail	72
■ Configure your MasteRail	73
■ Rack Bases	74
■ Clear Bay Spans	75
■ Turret Options.....	76
C-Top Extensions & Drop Wells.....	77
Flat-Top	78
Extended Face	79
Straight Face	80
Split Face.....	81
■ Countertop Options.....	82
■ Wiring.....	83
■ Transitions	84
■ Equipment Wedge Options	85
■ Accessories.....	86
■ Standard Laminates	87

The MasteRail Advantage:

RACK & STACK

With customizable rack bases and a wide variety of rack turret options, MasteRail can support almost any equipment.



Welded steel sub-structure, aluminum extrusion and composite materials ensure lasting durability.



BUILT TO LAST

Complete ACCESS

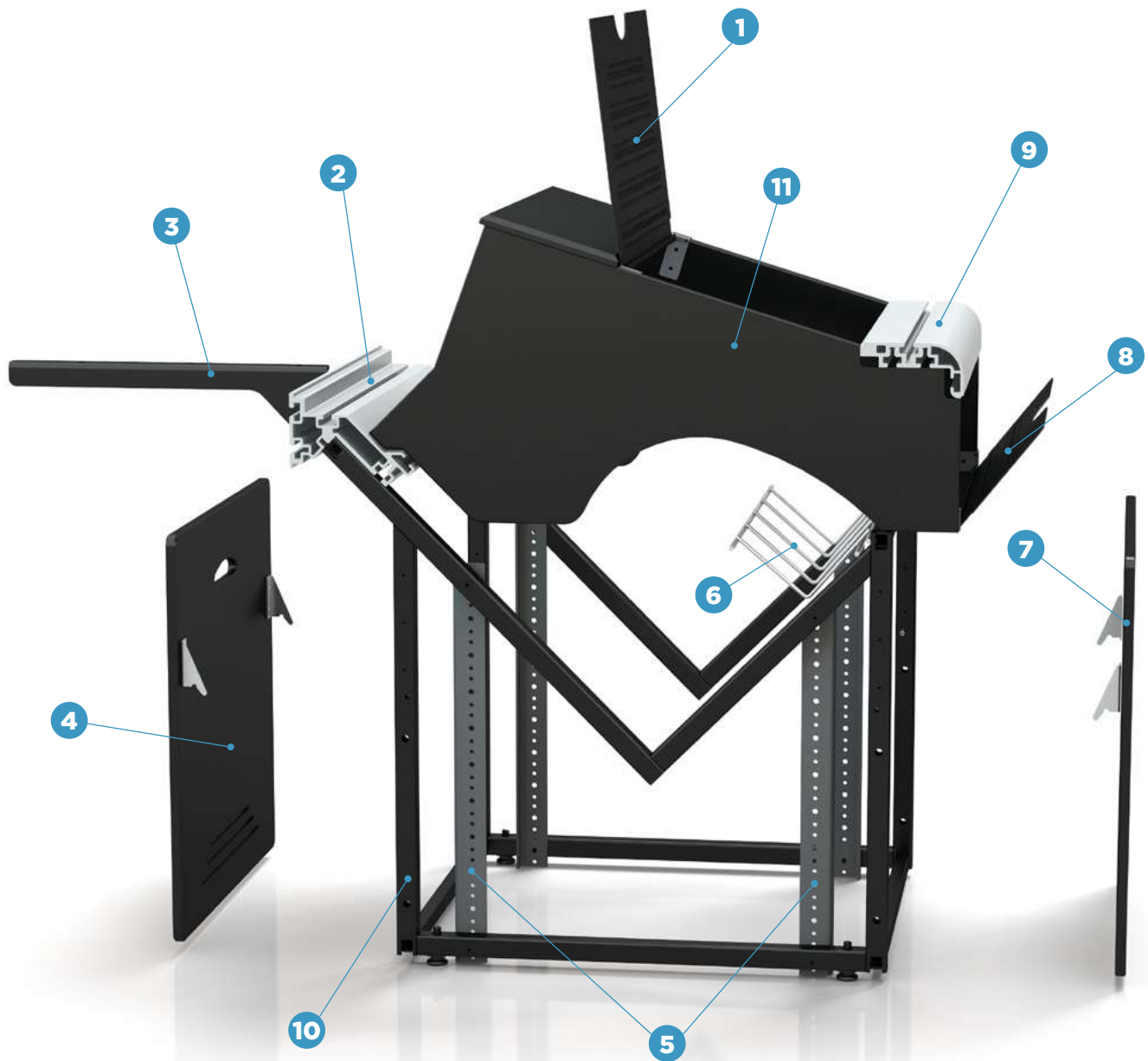
No more crawling under consoles. Hinged top and rear access doors on the turrets make maintenance a breeze. Access lower equipment through front and rear lift off panels.



Using a combination of rack bases, clear bay spans and angled transitions ensures the right shape for your space and workflow.

USER Customizable

The anatomy of a MasteRail:



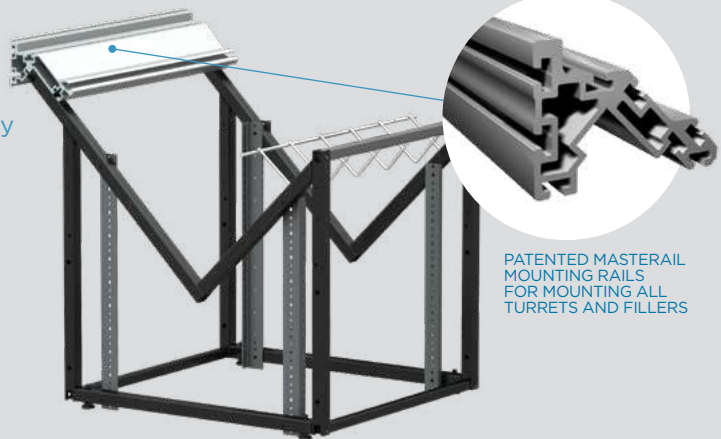
- 1 All MasteRail turrets come with top vented/hinged door.
- 2 MasteRail front extrusion.
- 3 Countertop support arms interlock into the front extrusion.
- 4 Lift-off lower front panels.
- 5 Front and rear rack rail.
- 6 Continuous cable tray throughout the console.
- 7 Lift-off lower rear panels.
- 8 Hinged/vented rear door.
- 9 MasteRail rear extrusion.
- 10 Steel stanchion base frame.
- 11 Turrets come in a variety of sizes and shapes.

The technology inside MasteRail:

Building Blocks

1-BAY (19" WIDE)

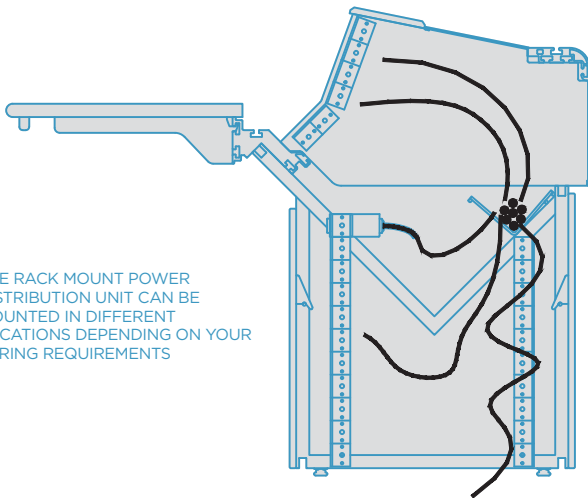
The concept behind the MasteRail™ technology is the use of pre-engineered components to provide a foundational structure for an infinite number of configurations and layouts. Base frame components are designed to be modular, allowing for future expansion and reconfiguration. A variety of finished materials can be applied to the framework to achieve any desired look or style. You get the custom look, without the custom price. All MasteRail™ components are designed with precision tolerances, allowing for fast, error-proof assembly.



PATENTED MASTERAIL MOUNTING RAILS FOR MOUNTING ALL TURRETS AND FILLERS

Wiring

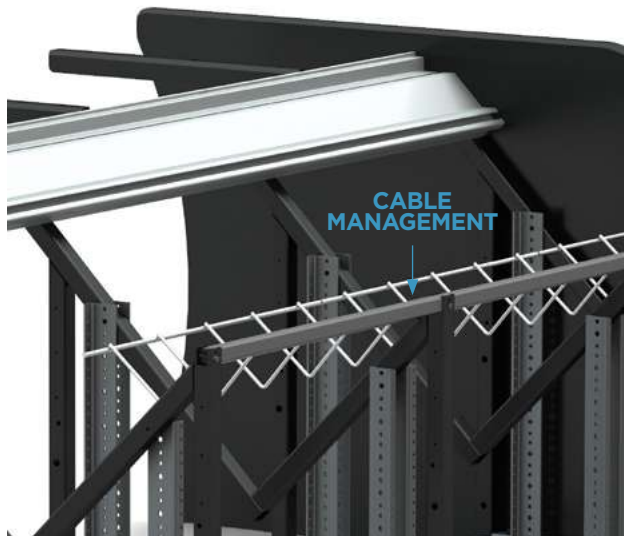
MasteRail uses an open interior design to route wiring between upper rack turrets and lower base structure. Rack bases have an open bottom allowing cables to pass through the floor.



THE RACK MOUNT POWER DISTRIBUTION UNIT CAN BE MOUNTED IN DIFFERENT LOCATIONS DEPENDING ON YOUR WIRING REQUIREMENTS

Continuous Cableways

Cable management runs throughout the console.

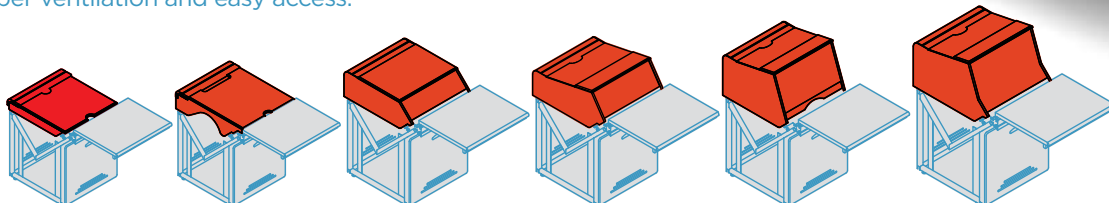


CABLE MANAGEMENT

Ready for all your gear

EASILY ARRANGE AND RE-ARRANGE TURRETS AND FILLERS AS NEEDED

Turrets come in a variety of sizes and configurations (Flat-Top, Straight Face, Split Face, Extended Face as well as Countertop Extensions and Drop Wells). All designed for proper ventilation and easy access.



Everything exactly where you want it

MasteRail™ UNIVERSAL MOUNTING SYSTEM

Aluminum Extrusion has a channel used to mount a variety of accessories giving you maximum flexibility

REAR EXTRUSION



Maximum Storage Area

Each rack base has 9 RU of usable space with an additional 1 RU reserved for rackmount PDUs. All concealed behind vented lift-off panels.

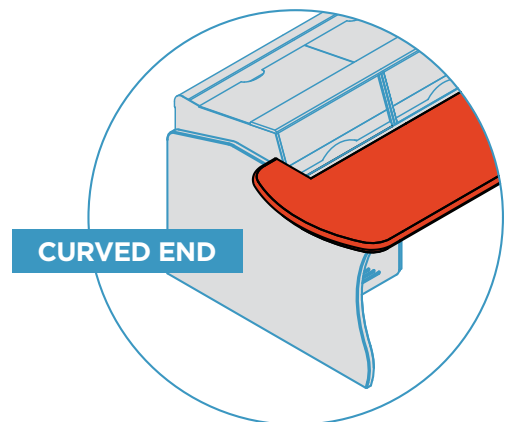
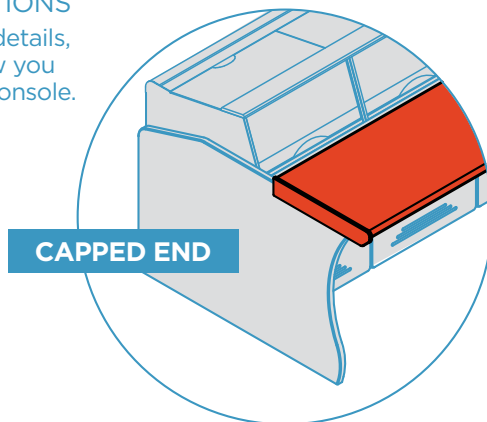


The look of your MasteRail:

Give your consoles their own look

COUNTERTOP VARIATIONS

Countertop shapes, end details, materials and colors allow you to customize your ideal console.



LAMINATE OR
LINOLEUM
WITH T-MOLDING



SOLID
SURFACE



ACRYLIC



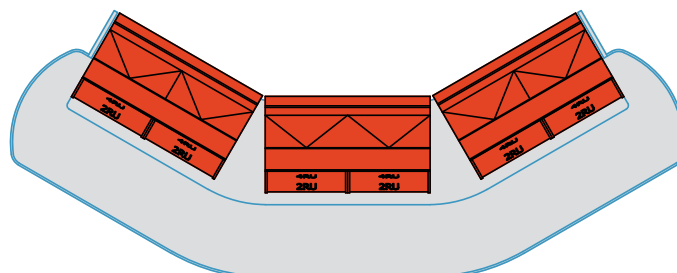
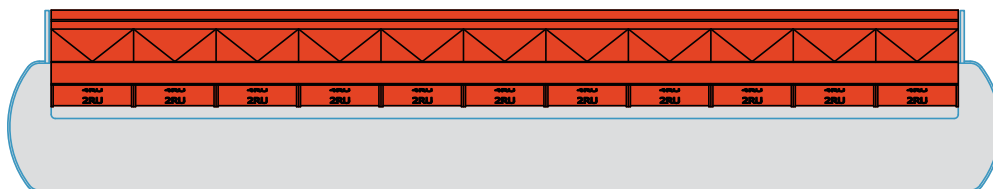
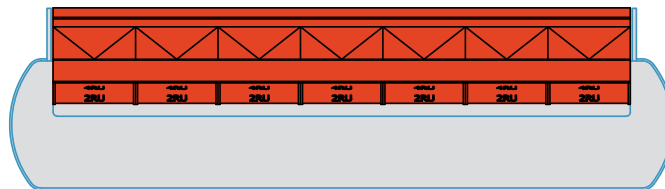
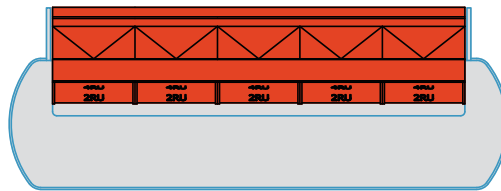
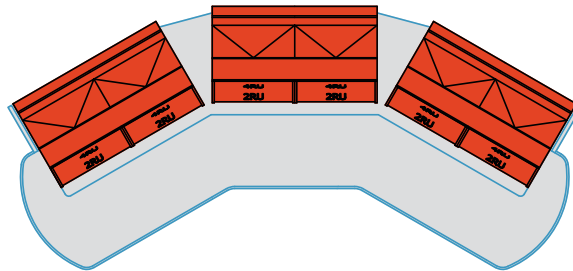
LAMINATE
W/ COMFORT EDGE

Configure your MasteRail:

Expandable and Configurable

MASTERAIL CAN BE CUSTOMIZED TO FIT ANY FOOTPRINT

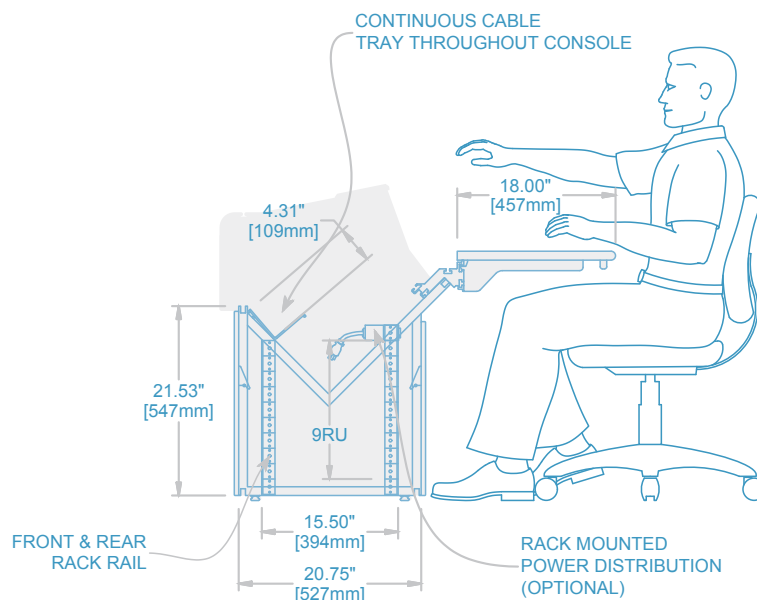
MasteRail™ can also be configured in concave or convex curves as well as free-form S-shape layouts. The lower transition panels ensure that wiring between units is protected and hidden from view.





Rack Bases

Fit more equipment than you ever thought possible.



TYPICAL RACK BASE SECTION

FC-MR-B-9R
(Single Rack Bay Base)

All designs, plans, ideas & specifications in this drawing remain the entire property of Forecast Consoles Inc. and may not be reproduced or used in any manner without written consent.

(631) 253-9000 or info@forecast-consoles.com

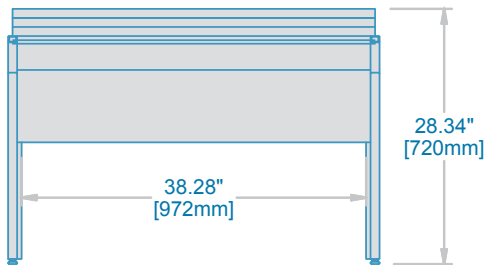


Clear Bay Spans



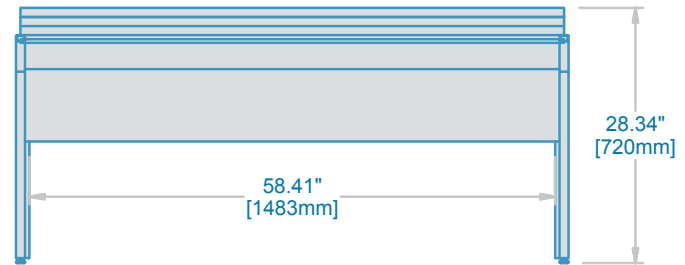
Clear Bay Spans:

Available in 2 Bay, 3 Bay and 4 Bay Spans with continuous cable management



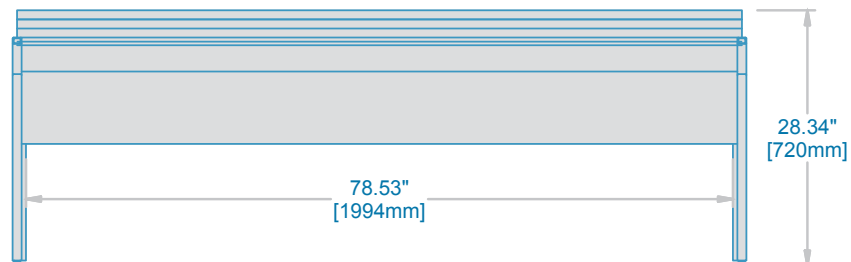
2 BAY CLEAR SPAN

FC-MR-S-2
(2 Bay Clear Span)



3 BAY CLEAR SPAN

FC-MR-S-3
(3 Bay Clear Span)



4 BAY CLEAR SPAN

FC-MR-S-4
(4 Bay Clear Span)



Turrets & Inserts



Ready For All Your Gear

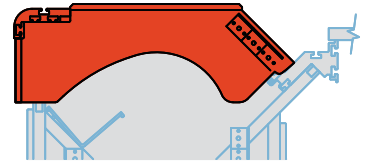
MasteRail Turrets come in various sizes and shapes. Drop well and countertop fillers are also available.



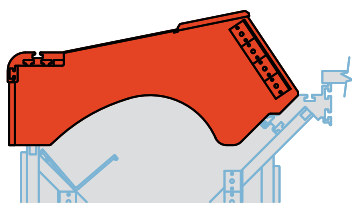
DROP WELL



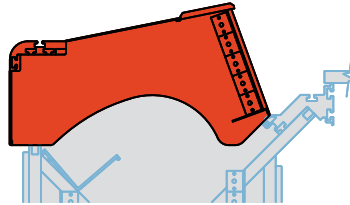
COUNTERTOP EXTENSIONS



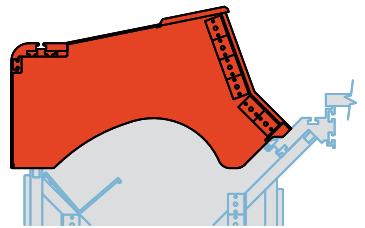
FLAT-TOP TURRETS



EXTENDED FACE TURRETS



STRAIGHT FACE TURRETS

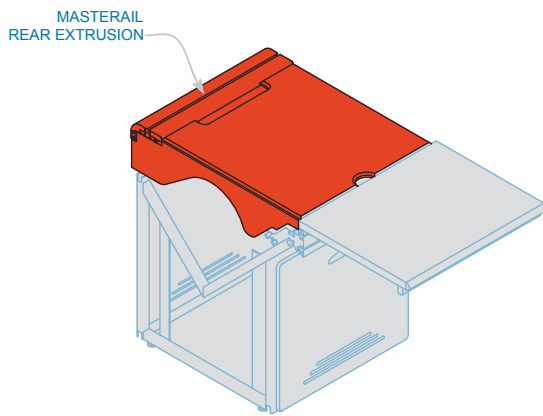


SPLIT FACE TURRETS

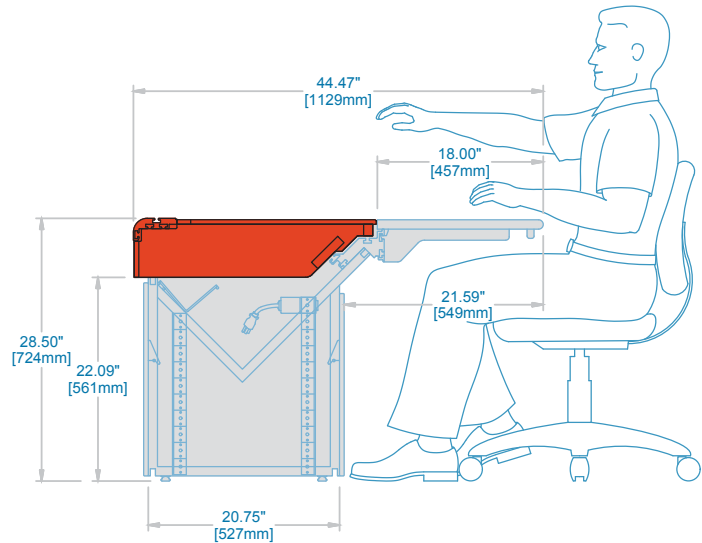


Countertop Extensions

For when you need more surface area than rack storage.

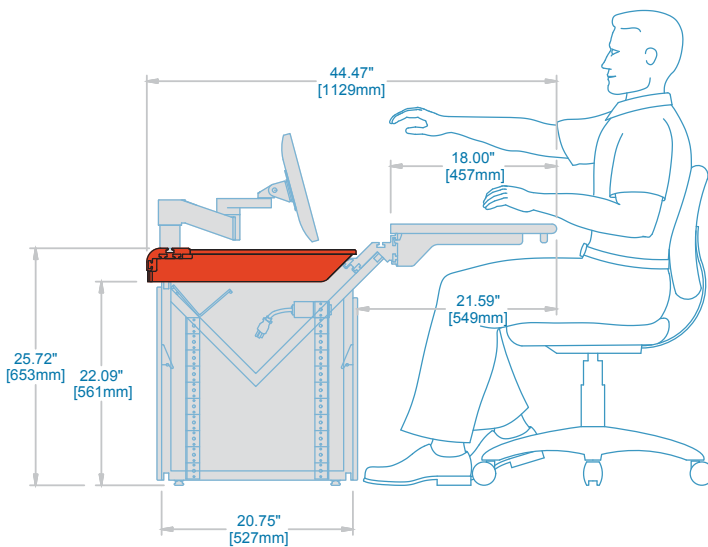


FC-MR-T-CX
(Countertop Extension)

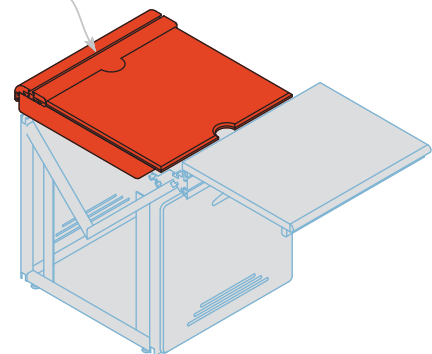


Drop Wells

Allow for lower monitor placement for improved sightlines.



MASTERAIL
REAR EXTRUSION

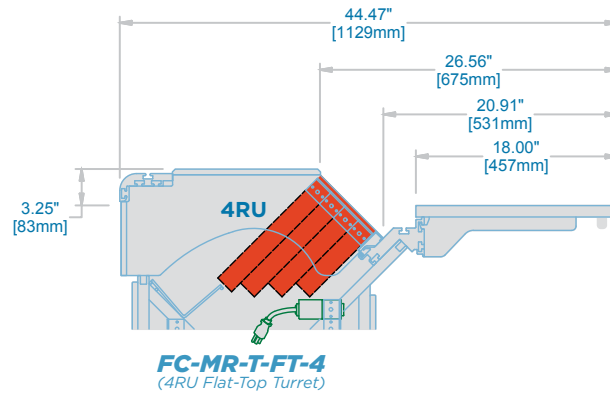
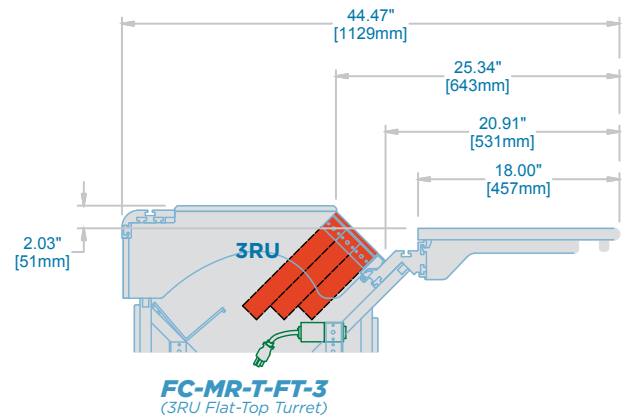
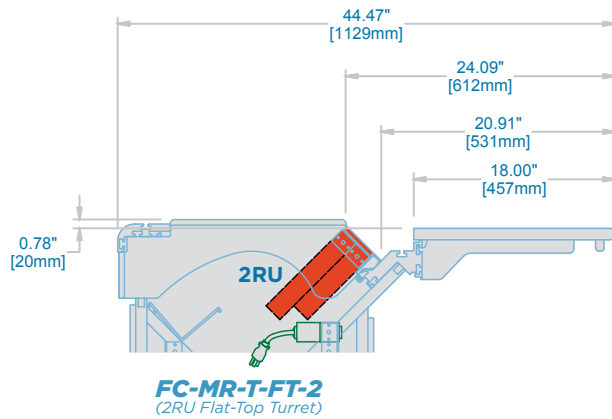
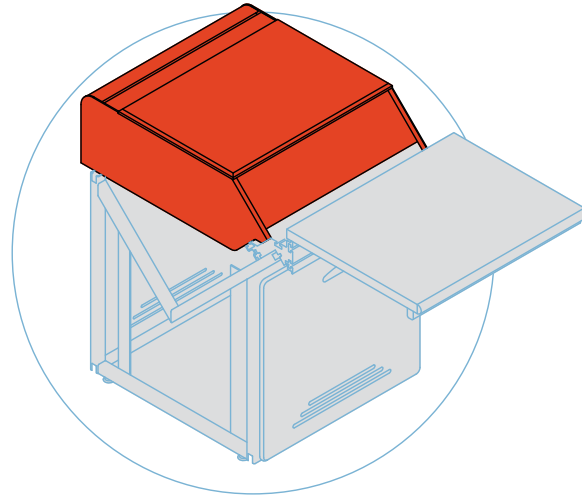


FC-MR-T-DW
(Drop Well)



Flat-Top Turrets

Flat-Top Turrets allow placement of documents or equipment on top of the turret.

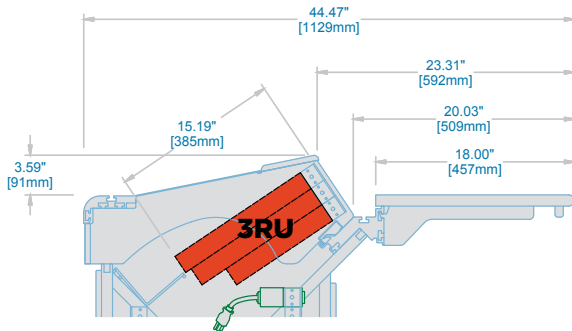


All designs, plans, ideas & specifications in this drawing remain the entire property of Forecast Consoles Inc. and may not be reproduced or used in any manner without written consent.

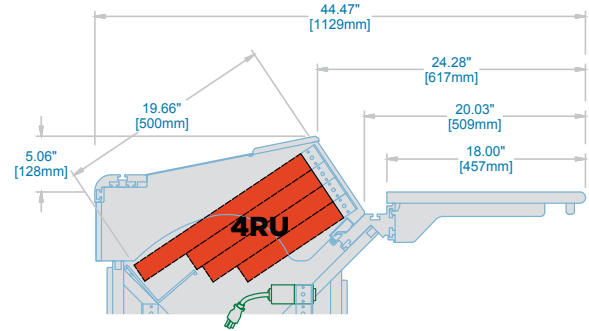


Extended Face Turrets

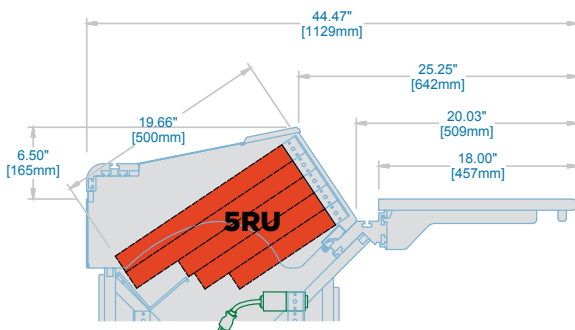
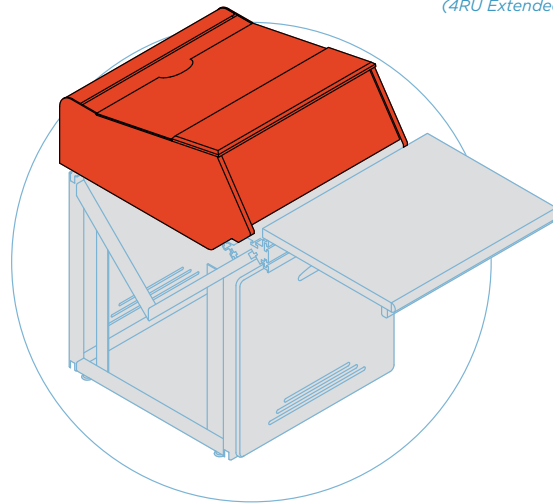
Extended Face Turrets reduce operator reach and increase maximum equipment depth.



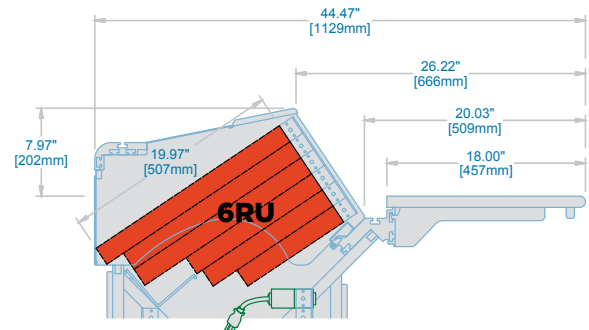
FC-MR-T-EF-3
(3RU Extended Face Turret)



FC-MR-T-EF-4
(4RU Extended Face Turret)



FC-MR-T-EF-5
(5RU Extended Face Turret)

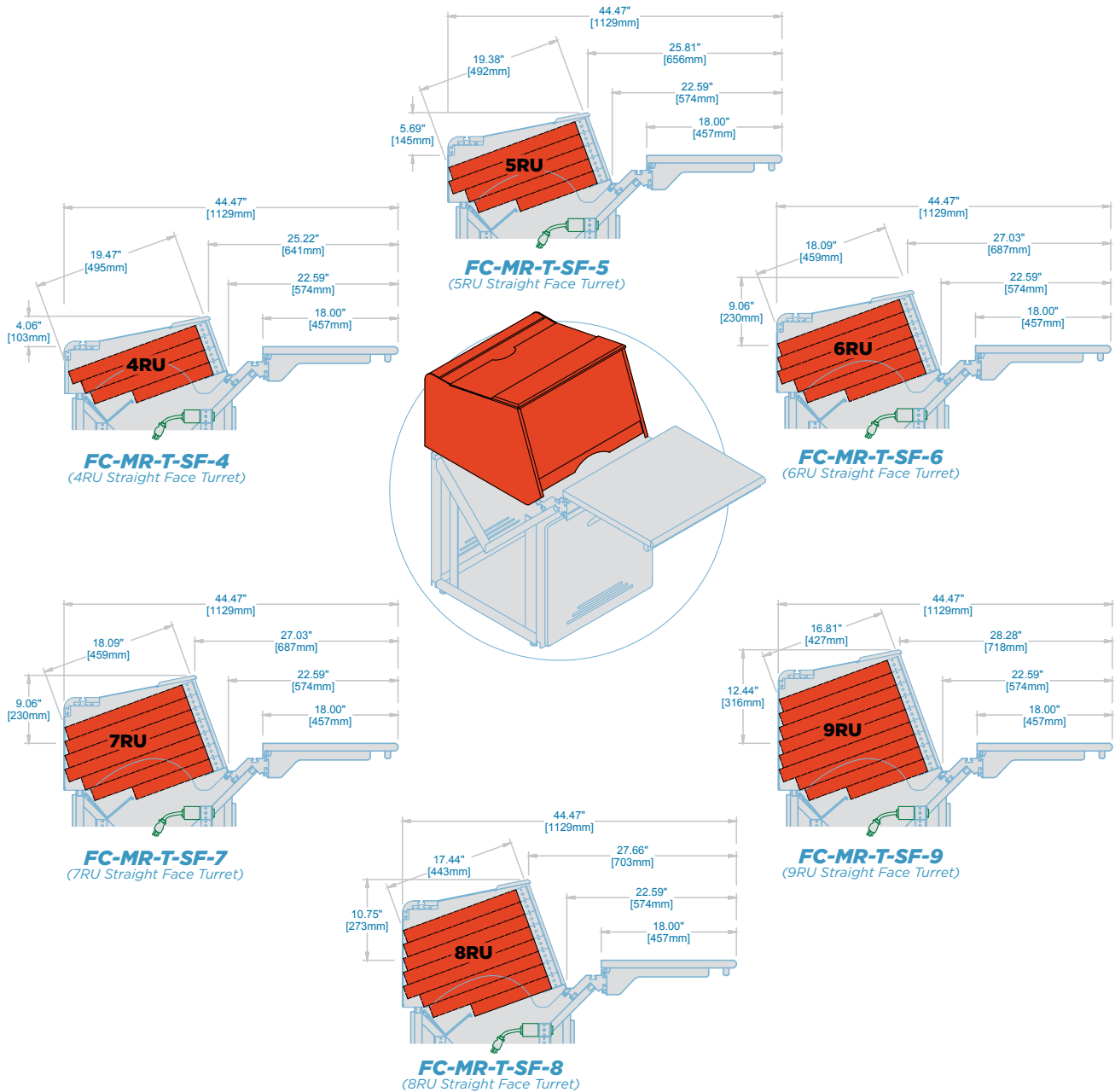


FC-MR-T-EF-6
(6RU Extended Face Turret)



Straight Face Turrets

The classic MasteRail Turret. The lower 2 rack units sit below the countertop and are used for no or low touch equipment.



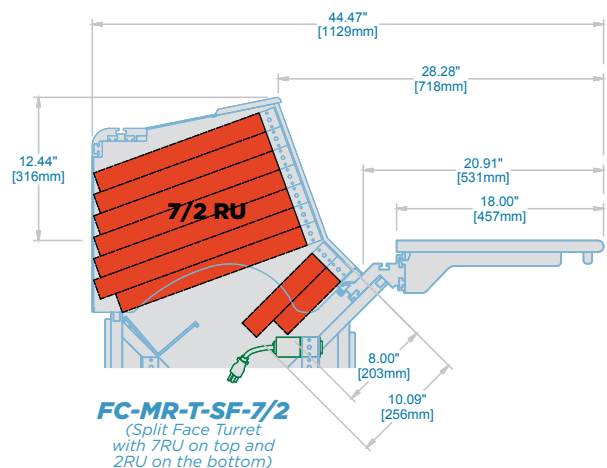
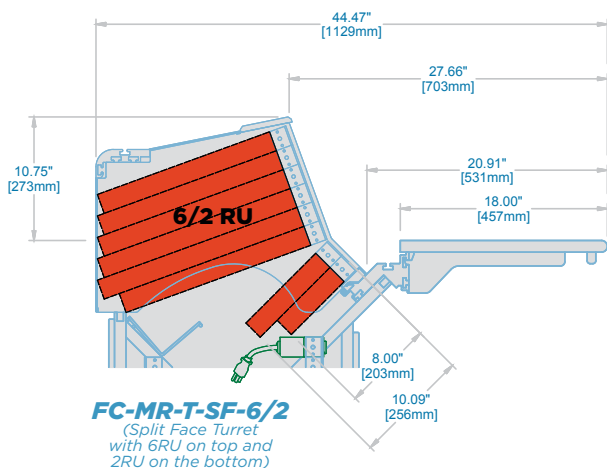
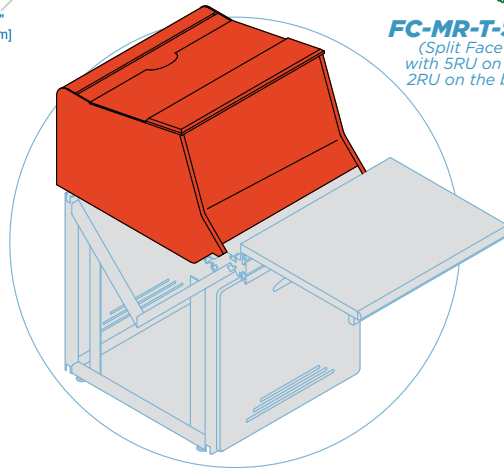
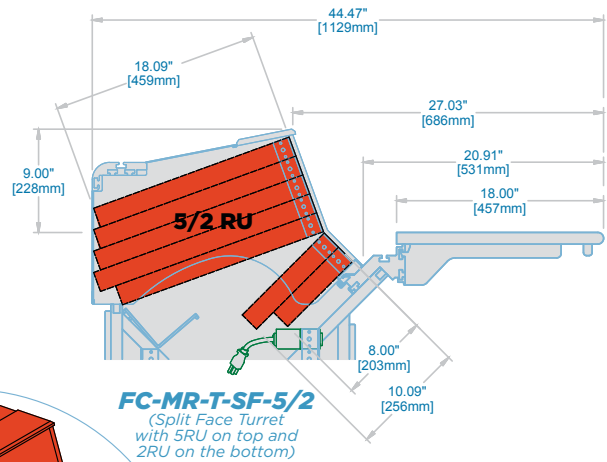
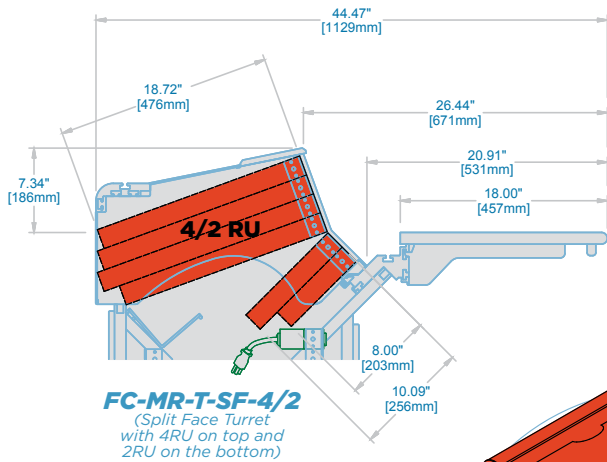
All designs, plans, ideas & specifications in this drawing remain the entire property of Forecast Consoles Inc. and may not be reproduced or used in any manner without written consent.

(631) 253-9000 or info@forecast-consoles.com



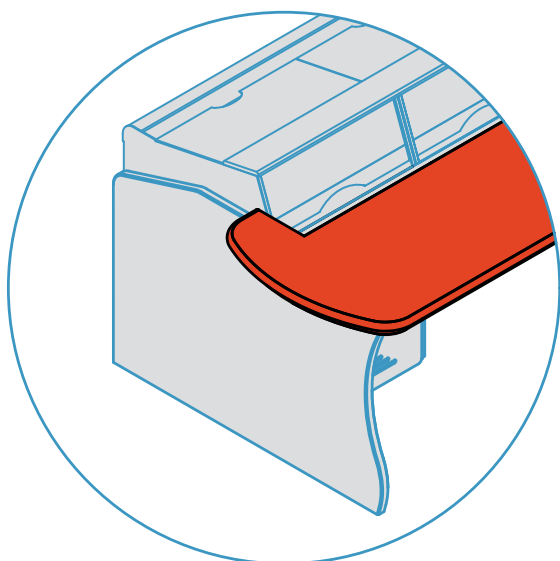
Split Face Turrets

Split Face Turrets are designed to have the lower 2 rack units below the countertop for improved sightlines. The compound angle of the Split Face allows the equipment in the lower 2 rack units to be more accessible.

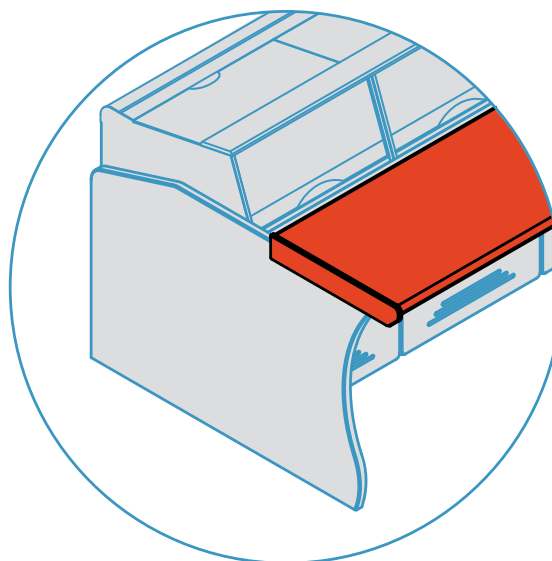




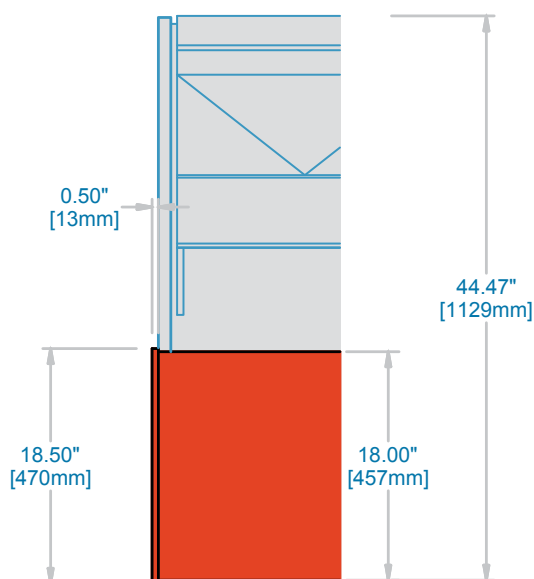
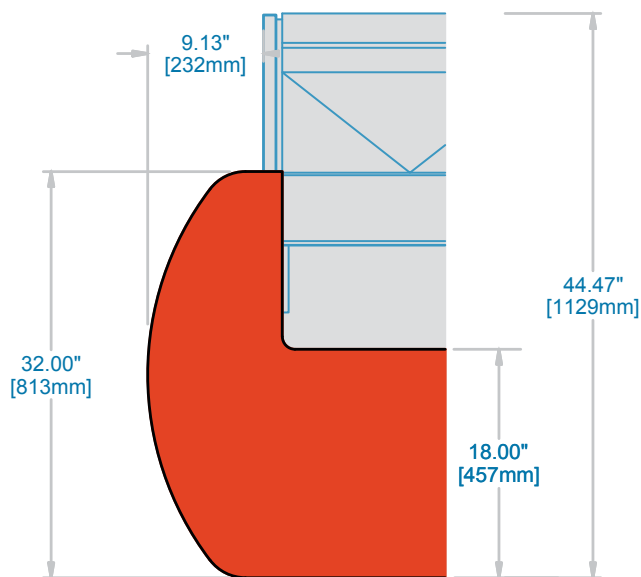
Countertop Options



FC-MR-CTOP-A
(Rounded Countertop)



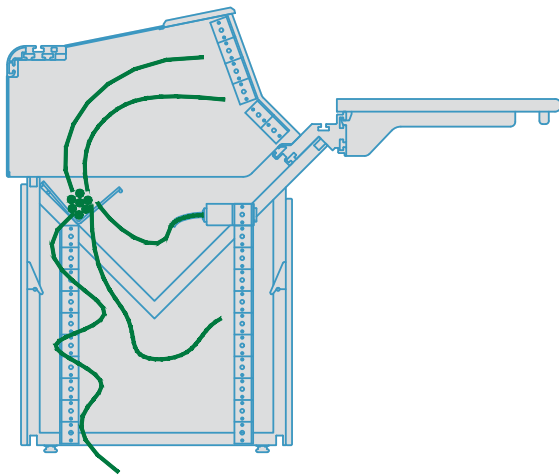
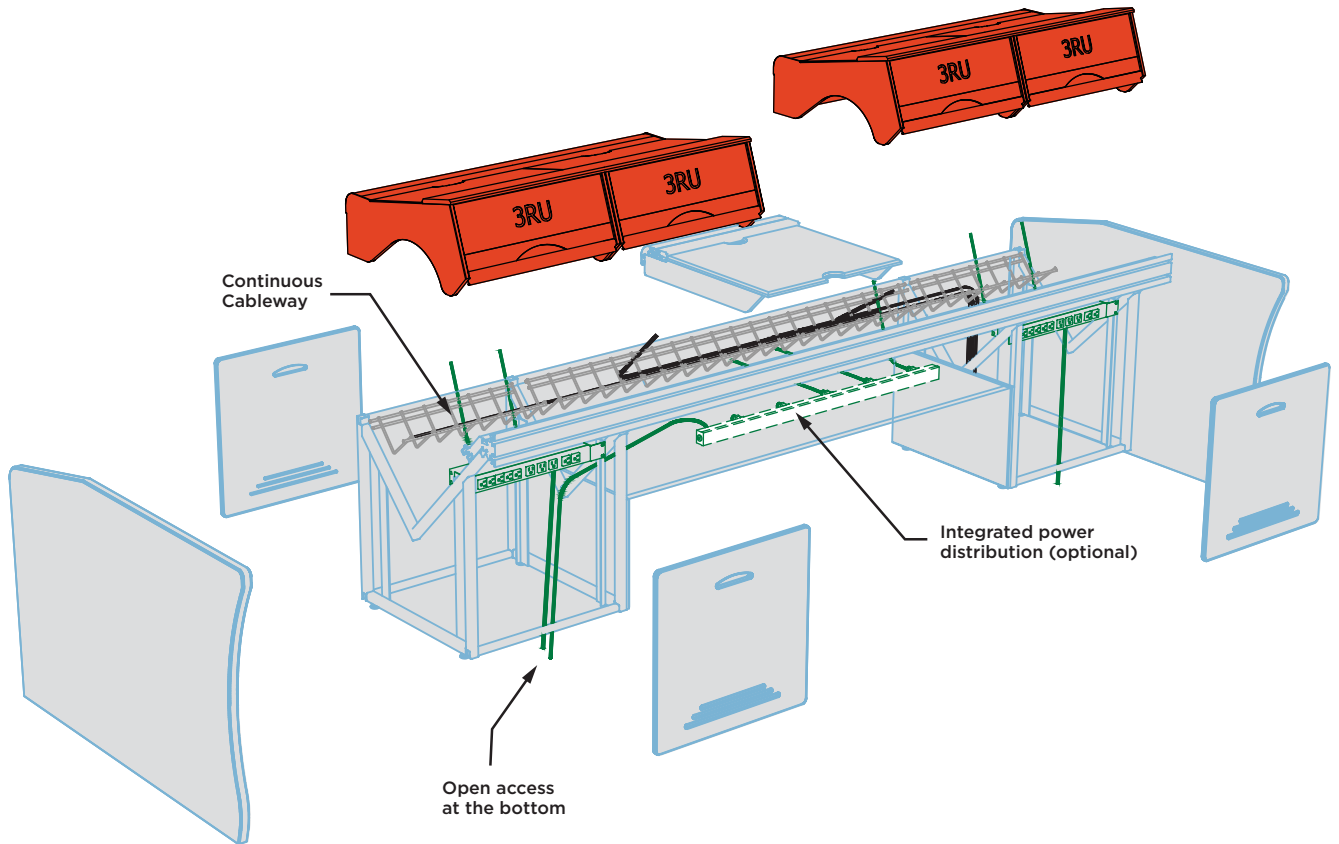
FC-MR-CTOP-B
(Straight Countertop with edge)



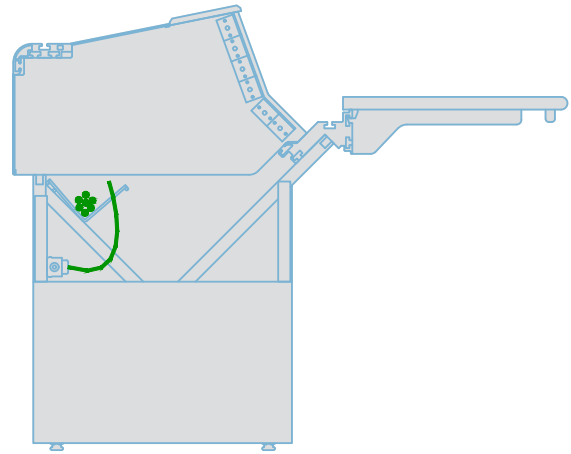


Wiring

- *Integrated power distribution (optional)*
- *Removable front and rear panels for easy access to the continuous cable management*



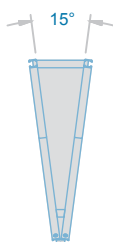
Example of rack base wiring



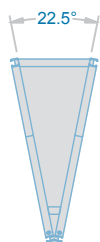
Example of clear bay span wiring



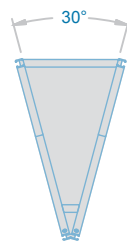
Standard Concave or Convex Transition Angles



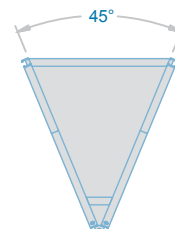
FC-MR-TR-15
(15° transition angle)



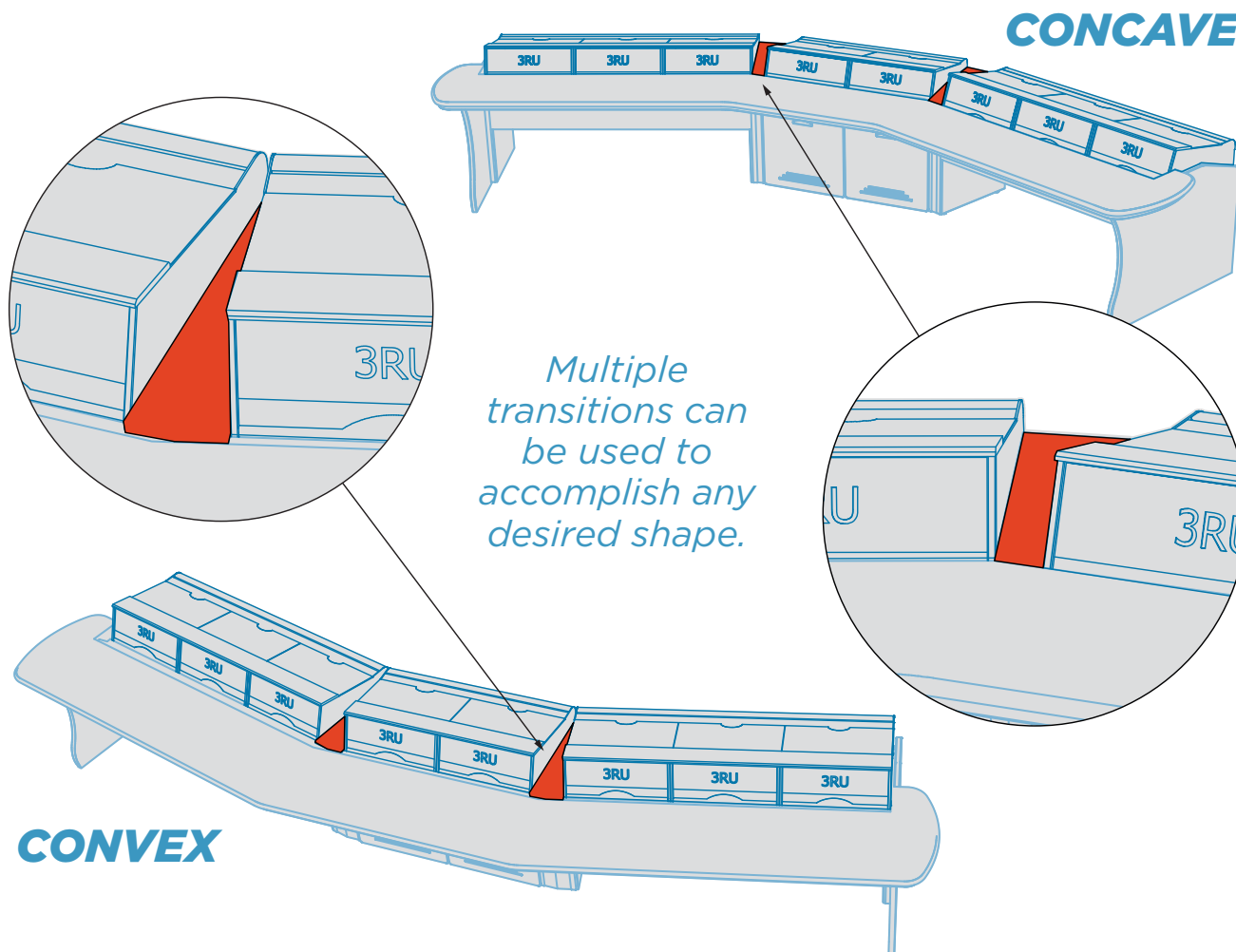
FC-MR-TR-22.5
(22.5° transition angle)



FC-MR-TR-30
(30° transition angle)



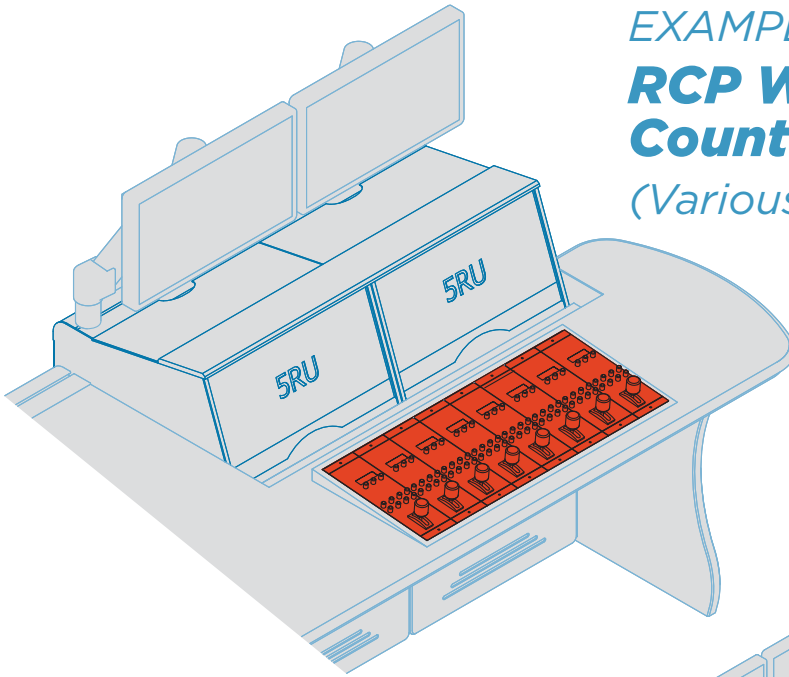
FC-MR-TR-45
(45° transition angle)



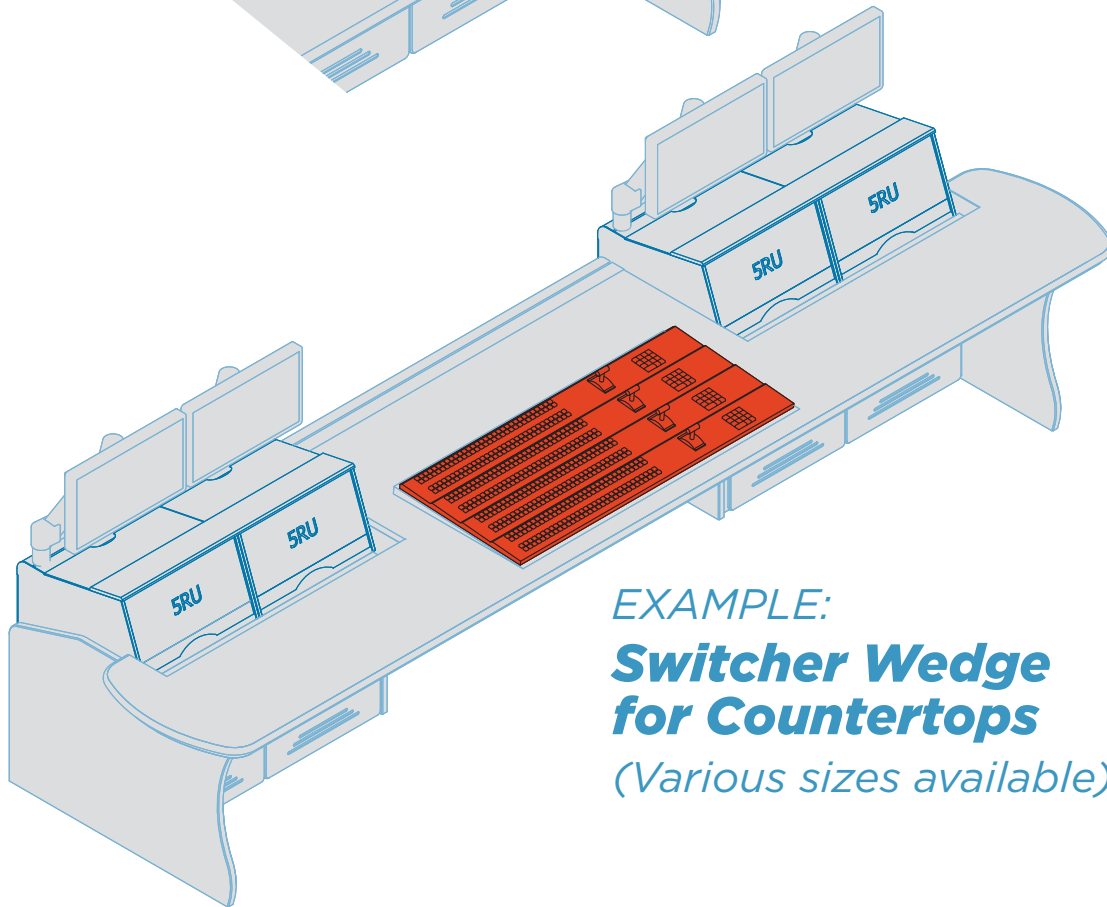
CONCAVE

CONVEX

Multiple transitions can be used to accomplish any desired shape.



EXAMPLE:
RCP Wedge for Countertops
(Various sizes available)



EXAMPLE:
Switcher Wedge for Countertops
(Various sizes available)

MasteRail™

Specs & Configurations



MONITOR
POST MOUNT ARM



FC-PA-14-S
(30lb Weight Capacity)

DUAL MONITOR
POST MOUNT ARM



FC-PA-28-D
(40lb Weight Capacity)

FULLY ARTICULATING
MONITOR ARM



FC-AA-0313
(3-13lb Weight Capacity)
FC-AA-0825
(8-25lb Weight Capacity)
FC-AA-1331
(13-31lb Weight Capacity)

POST MOUNT
SPEAKER PLATFORM



FC-PA-14 SPEAKER
14" Post (20lb Weight Capacity)
FC-PA-28 SPEAKER
28" Post (20lb Weight Capacity)

MasteRail™ Universal Mounting System*

Aluminum Extrusion has a channel used to mount a variety of accessories giving you maximum flexibility. (Mounts and accessories sold separately.)

*Available in all MasteRail™ models



ARTICULATING
TELEPHONE
POST MOUNT



FC-PA-14-PHONE

GOOSENECK
TASK LIGHT

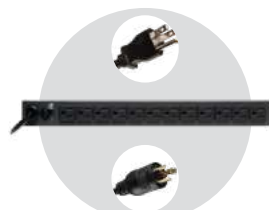


FC-AC-GOOSENECK LT

Power Distribution Options

Rack Mount Power Distribution Units can be mounted in different locations depending on your wiring requirements.

RACK MOUNT (12)
OUTLET POWER STRIP



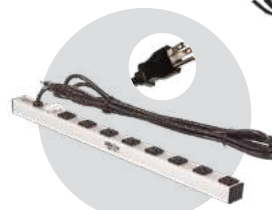
FC-RS1215 (15 Amp)
FC-RS1220 (20 Amp)

FORECAST 1RU
POWER DATA UNIT



FC-PDM-1

24" (8) OUTLET
POWER STRIP



FC-PS0815

36" (14) OUTLET
POWER STRIP



FC-PS1415 (15 Amp)
FC-PS1420 (20 Amp)

All designs, plans, ideas & specifications in this drawing remain the entire property of Forecast Consoles Inc. and may not be reproduced or used in any manner without written consent.

(631) 253-9000 or info@forecast-consoles.com



Forecast Standard Laminates



Sightline™

User Configurable
Monitor Wall System



Flexibility Pre and Post Installation

SIGHTLINE is designed to make monitor wall installation and adjustment as easy as possible. Display mounts attach to the QuickSet Rails allowing side to side relocation by simply loosening a few screws. The QuickSet Rails can be adjusted up or down with a single Allen Key.

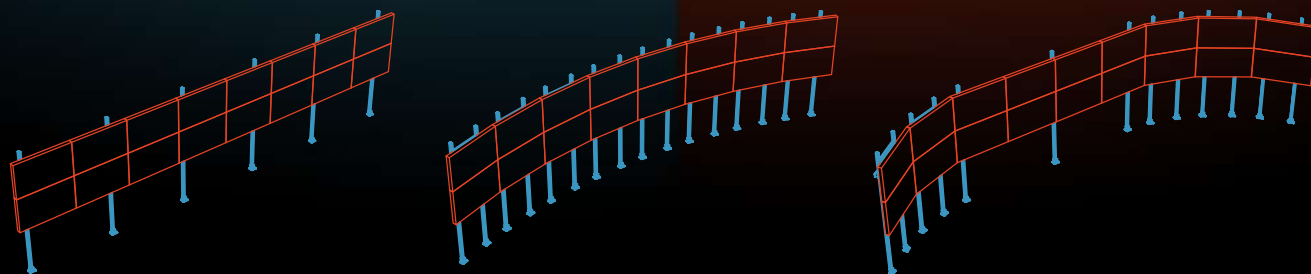


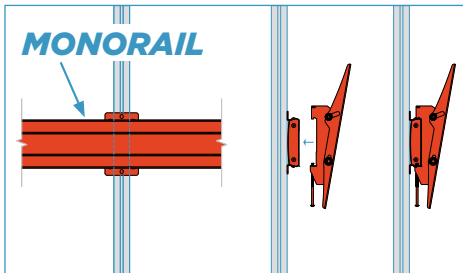
TABLE OF CONTENTS:

<i>SIGHTLINE</i>	91
■ Installation Options	92
■ Vertical Supports.....	93
■ QuickRail.....	94
■ MonoRail.....	95
■ Shape Options	96
■ Outrigger Options	97
■ Monitor Mounting Options	98
■ Accessories.....	99

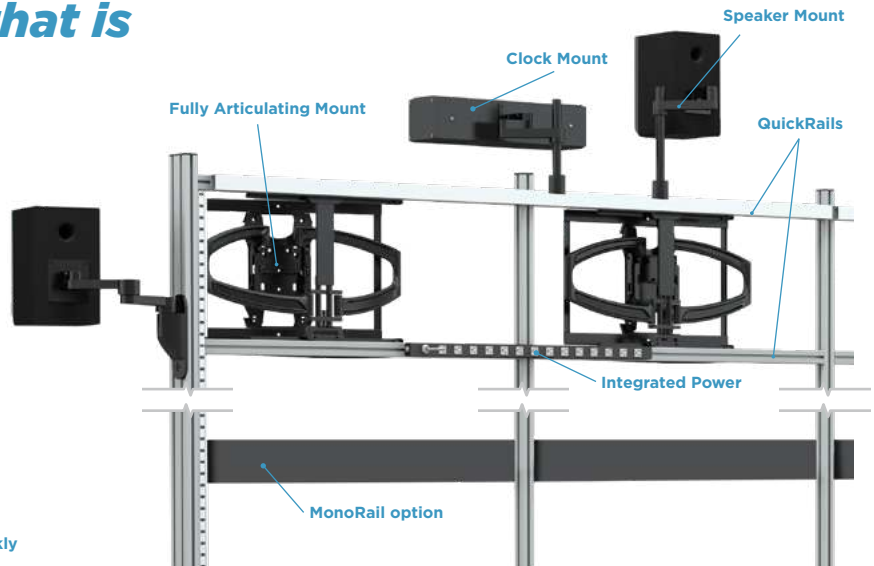


Monitor mounting that is flexible and easy.

Sightline supports a wide variety of mounting options and accessories.



Optional MonoRail attachment to swap monitors out quickly



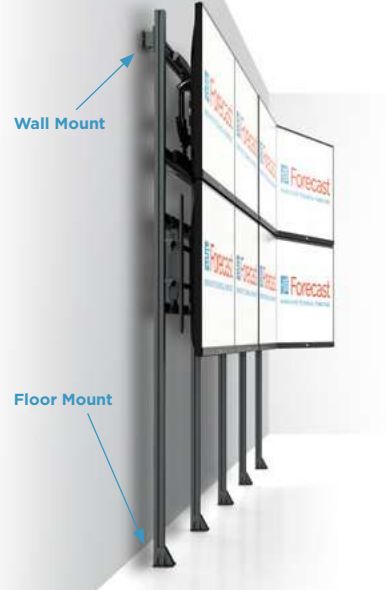
NOTE: Monitors can be mounted using either QuickRails or MonoRail

Sightline offers a variety of installation configurations to adapt to any environment.

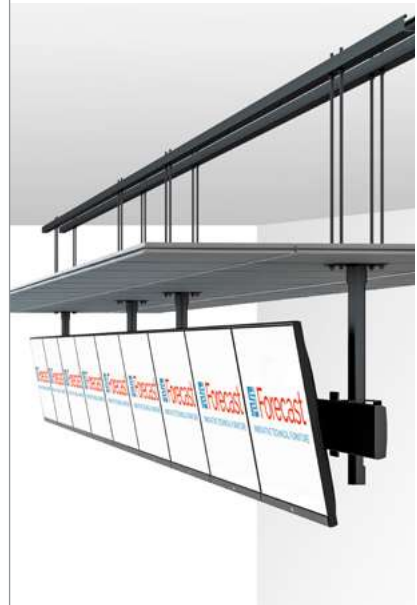
FREE STANDING
for open floor placement and easy relocation.



FLOOR MOUNTED / WALL BRACED
for minimum intrusion into the space.



CEILING MOUNTED
when wall mounting is not an option



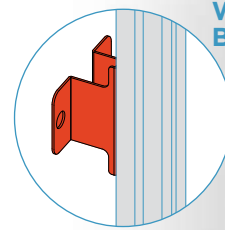
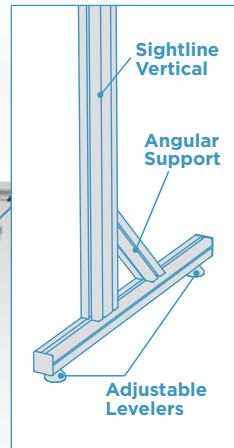
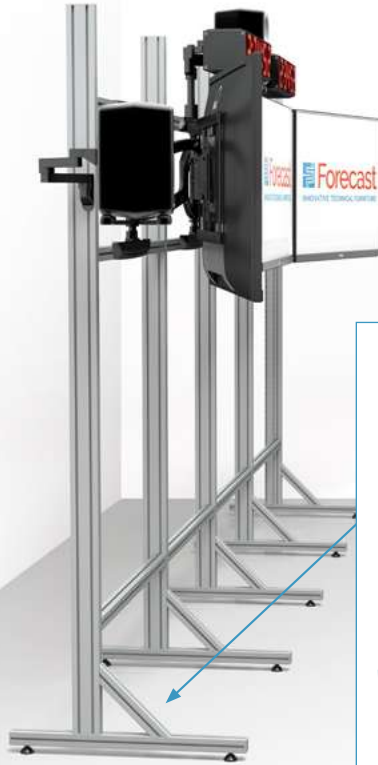
Sightline™

Specs & Configurations



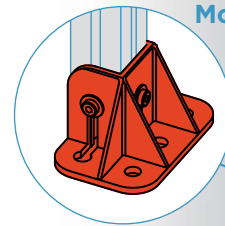
Free Standing

**Free Standing models available in silver only*



Wall
Brace

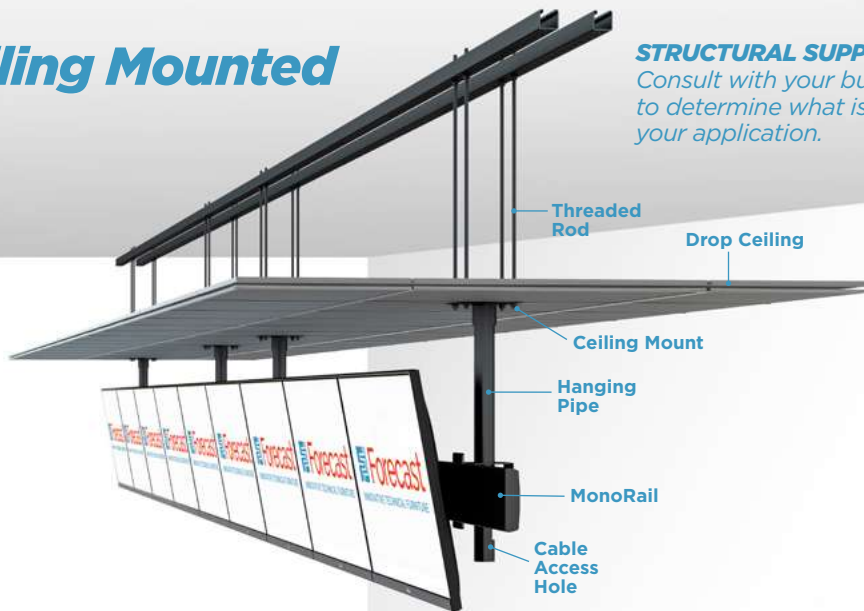
Floor Mounted / Wall Braced



Floor
Mount

Ceiling Mounted

STRUCTURAL SUPPORT MAY VARY.
Consult with your building contractor to determine what is appropriate for your application.



All designs, plans, ideas & specifications in this drawing remain the entire property of Forecast Consoles Inc. and may not be reproduced or used in any manner without written consent.

(631) 253-9000 or info@forecast-consoles.com

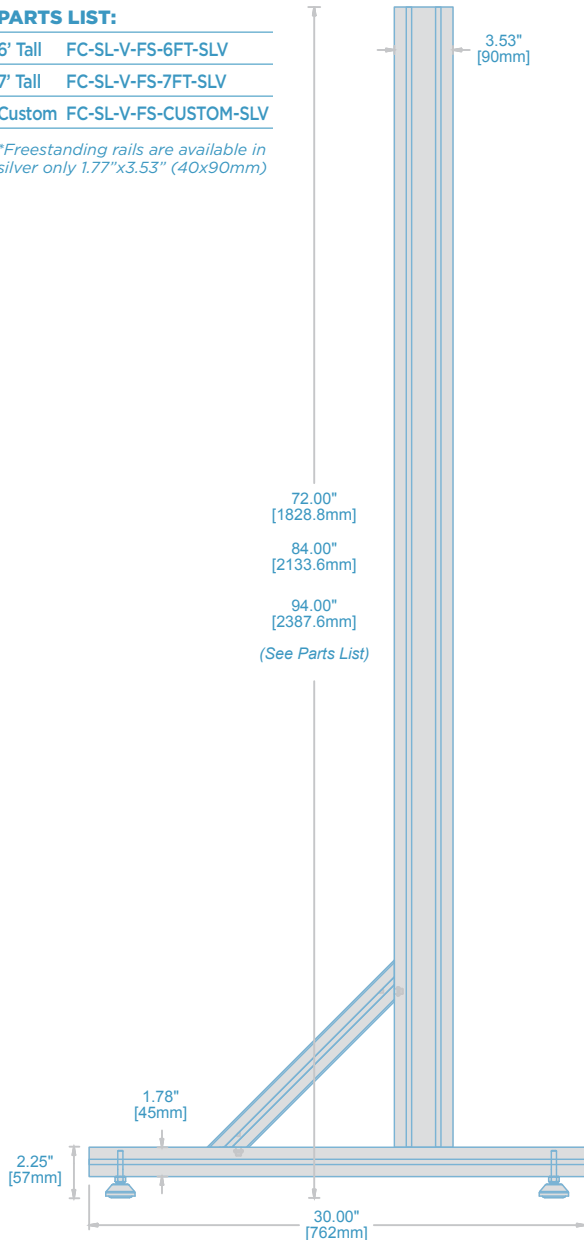


Free Standing

PARTS LIST:

- 6' Tall FC-SL-V-FS-6FT-SLV
- 7' Tall FC-SL-V-FS-7FT-SLV
- Custom FC-SL-V-FS-CUSTOM-SLV

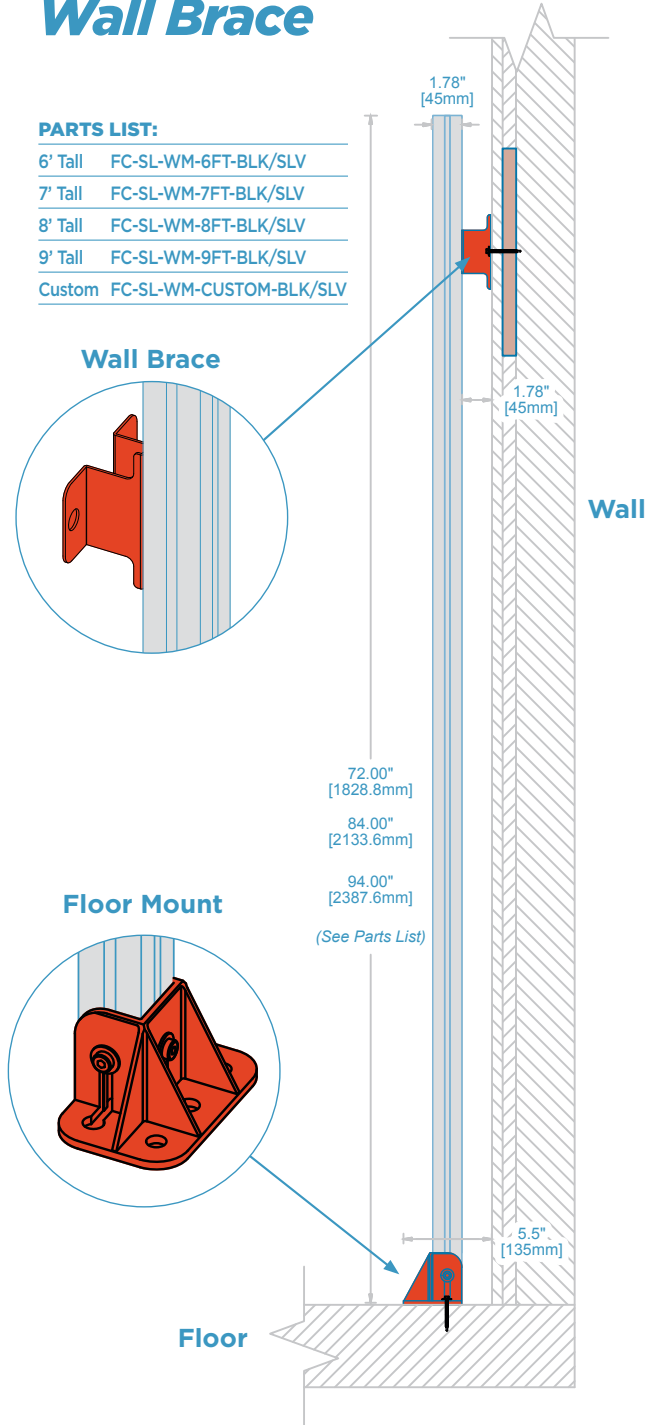
*Freestanding rails are available in silver only 1.77"x3.53" (40x90mm)



Floor Mount / Wall Brace

PARTS LIST:

- 6' Tall FC-SL-WM-6FT-BLK/SLV
- 7' Tall FC-SL-WM-7FT-BLK/SLV
- 8' Tall FC-SL-WM-8FT-BLK/SLV
- 9' Tall FC-SL-WM-9FT-BLK/SLV
- Custom FC-SL-WM-CUSTOM-BLK/SLV



Sightline™

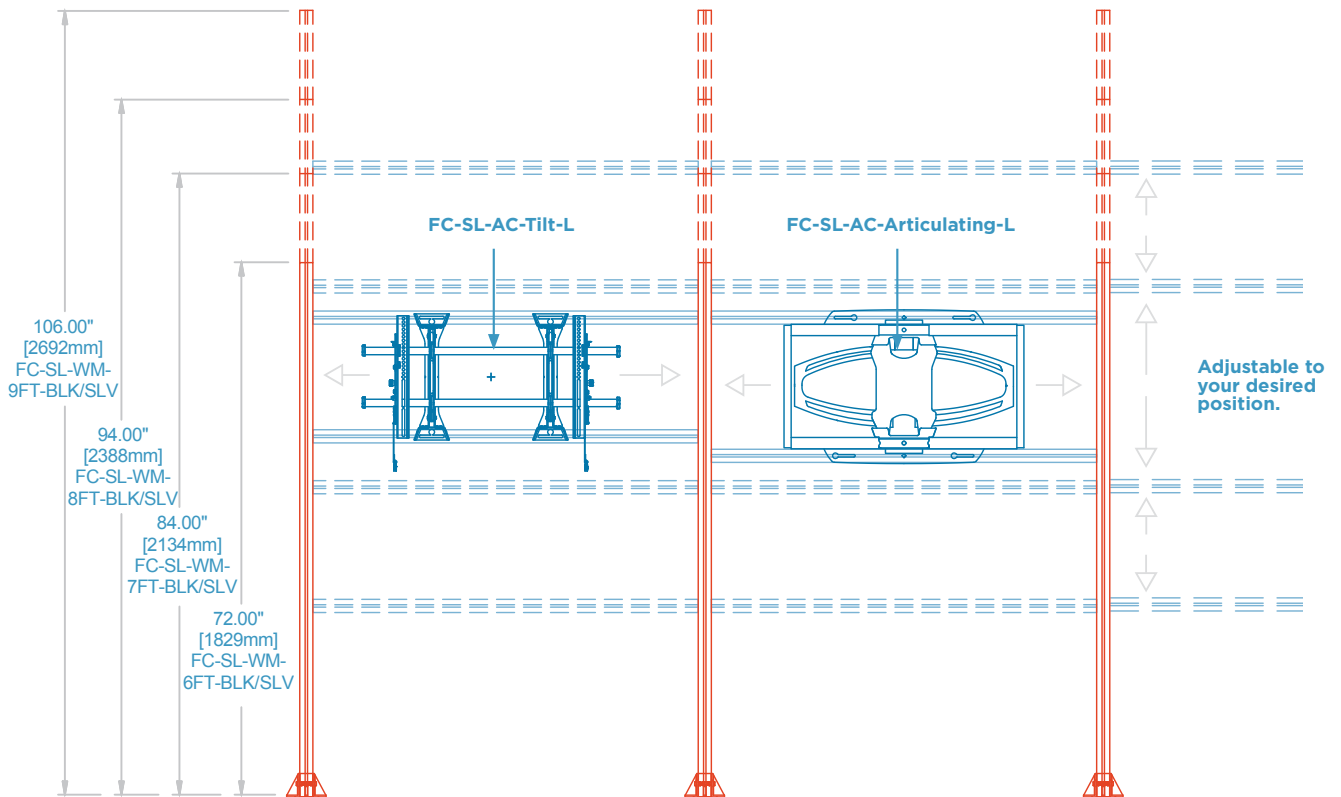
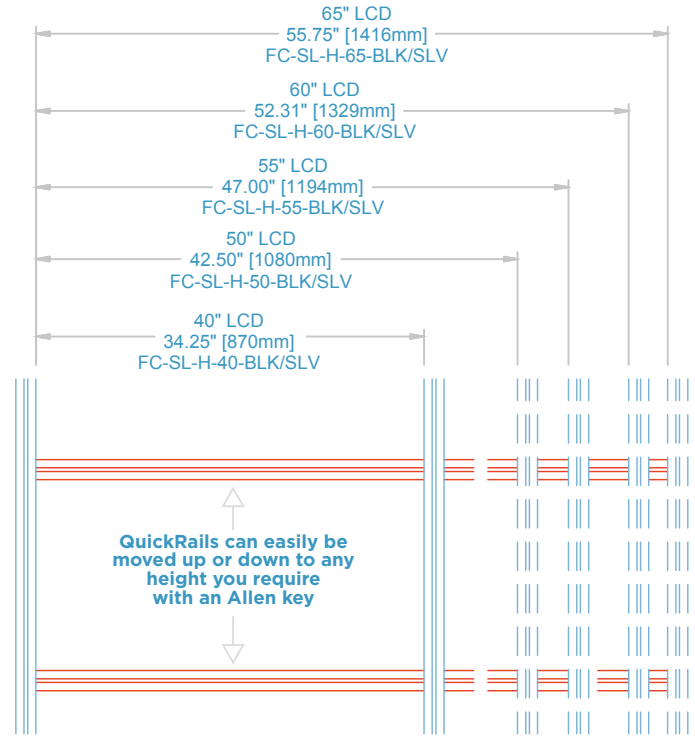
Specs & Configurations



QuickRail

Monitor Size	Actual QuickRail Size	Model #
40" Wide	34.25" (870 mm)	FC-SL-H-40-BLK/SLV
50" Wide	42.50" (1080 mm)	FC-SL-H-50-BLK/SLV
55" Wide	47" (1194 mm)	FC-SL-H-55-BLK/SLV
60" Wide	52.31" (1329 mm)	FC-SL-H-60-BLK/SLV
65" Wide	55.75" (1416 mm)	FC-SL-H-65-BLK/SLV
Custom Width	Variable/Custom Width	SL-H-CUSTOM-BLK/SLV

*Available in Black (BLK) and Silver (SLV)



All designs, plans, ideas & specifications in this drawing remain the entire property of Forecast Consoles Inc. and may not be reproduced or used in any manner without written consent.

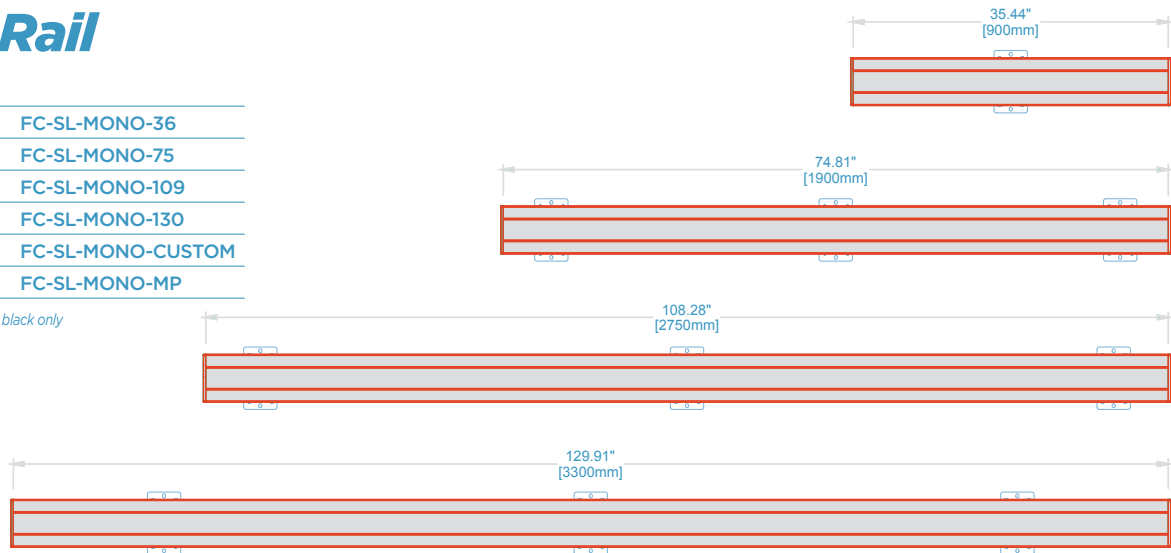


MonoRail

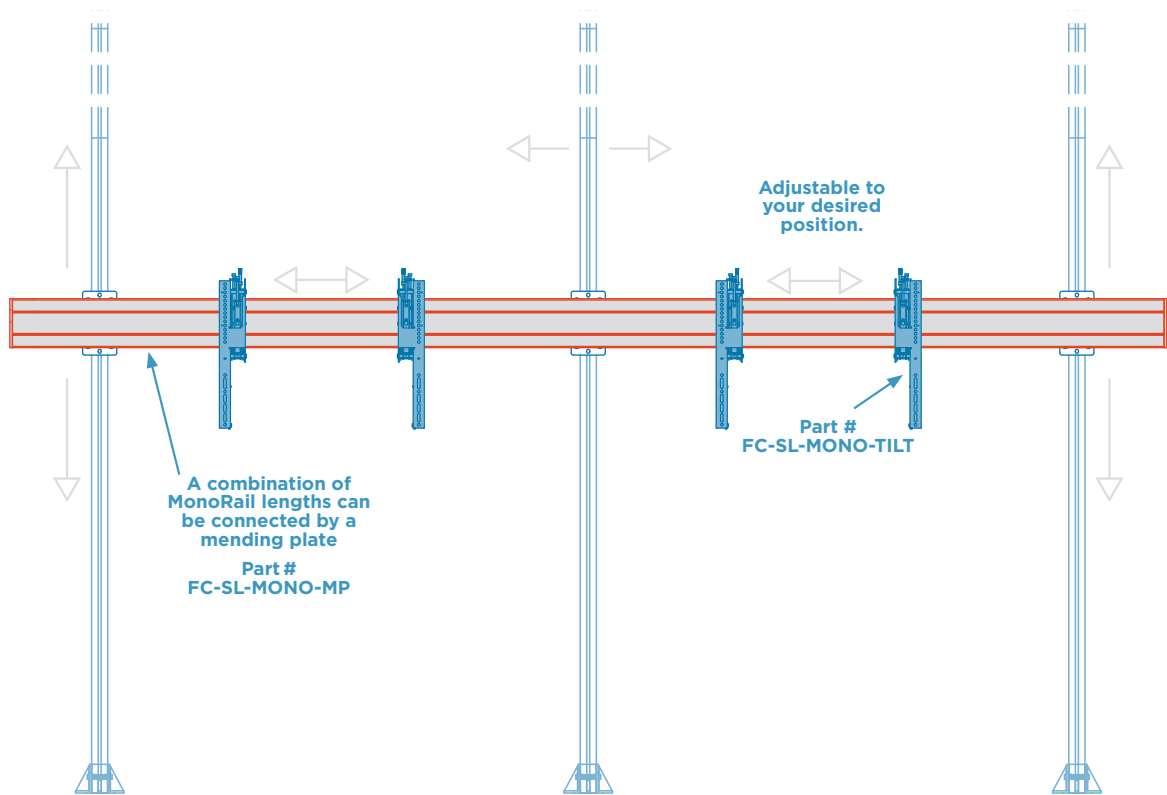
PARTS LIST:

35.44" Wide	FC-SL-MONO-36
74.81" Wide	FC-SL-MONO-75
108.28" Wide	FC-SL-MONO-109
129.91" Wide	FC-SL-MONO-130
Custom Width	FC-SL-MONO-CUSTOM
Mending Plate	FC-SL-MONO-MP

**MonoRail is available in black only*



Position the MonoRail anywhere you want on the vertical rail, level and tighten in place.

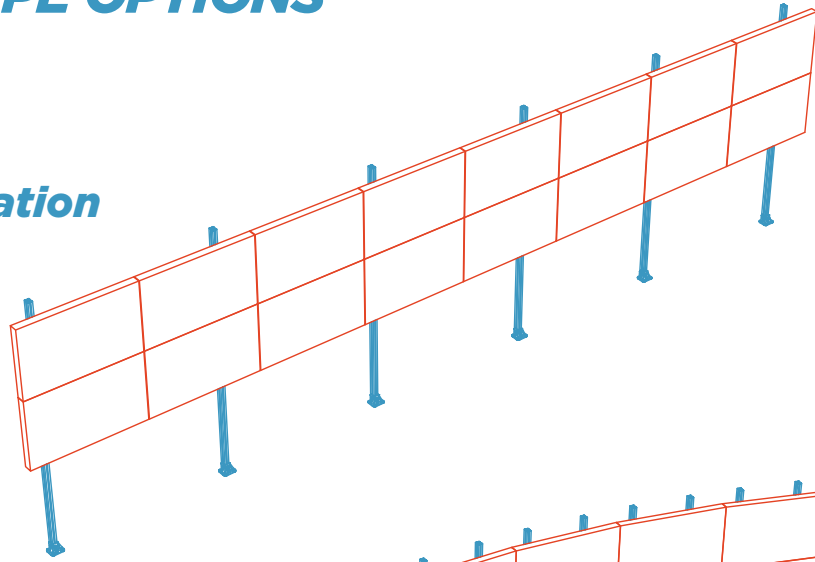




MULTIPLE SHAPE OPTIONS

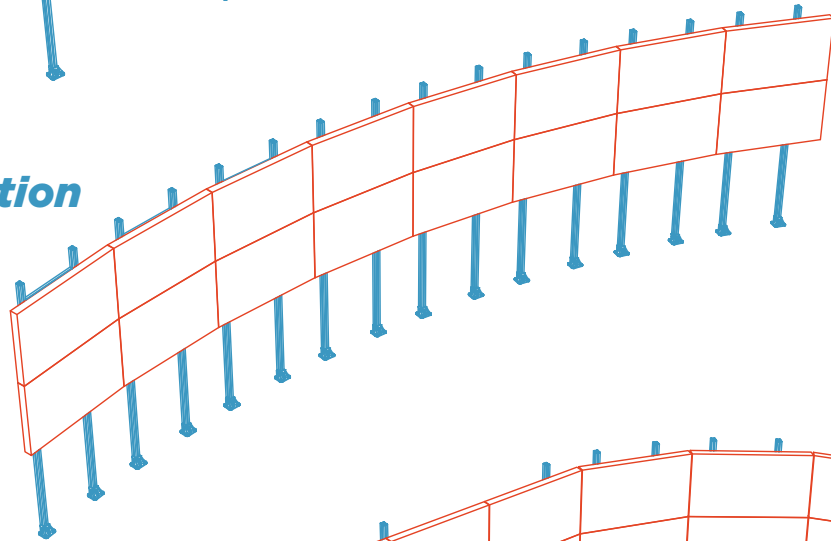
Straight Configuration

Typical configuration. Can be configured using different vertical supports, installation rails based on your use case, monitor size, and final layout.



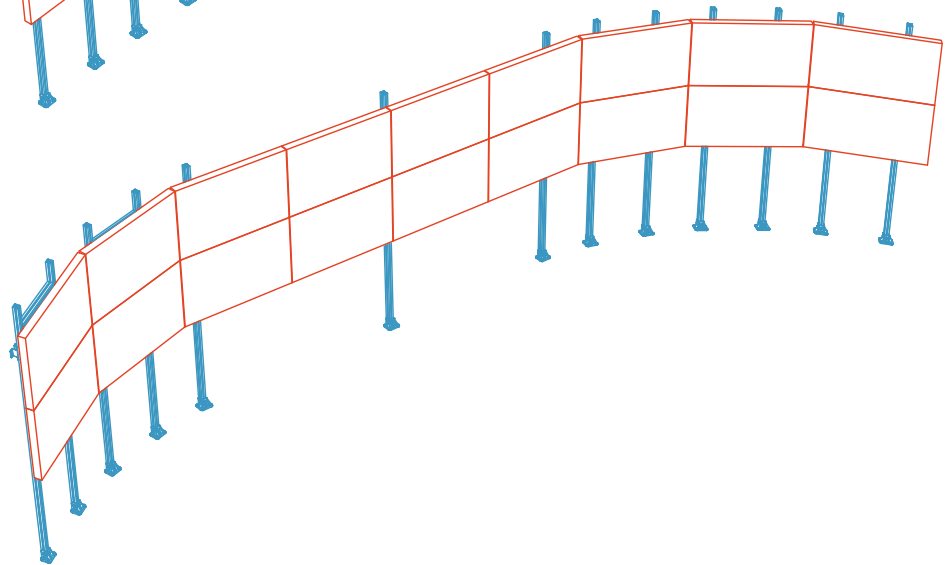
Curved Configuration

Using a combination of outriggers and a ladder style framework each monitor bank is independently supported allowing for a truly freeform design.



Segmented Configuration

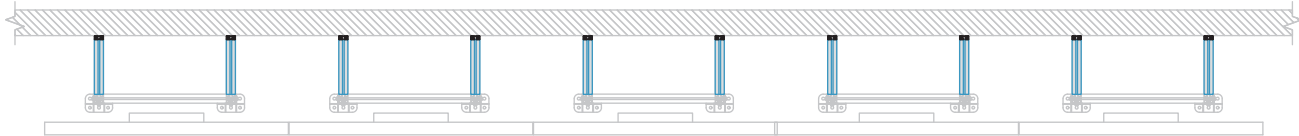
A combination of straight and curved configurations.





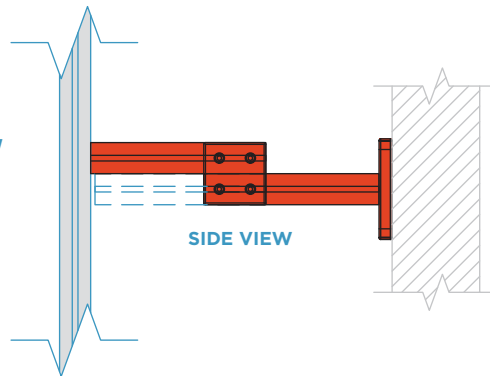
Outrigger Options

STRAIGHT CONFIGURATION



TOP VIEW

**Straight
“In and Out”
Adjustable
Outrigger**

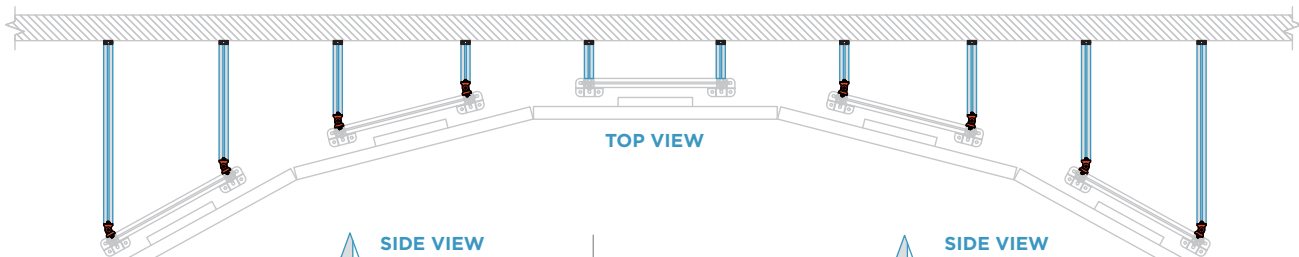


SIDE VIEW

FC-SL-OR-STRAIGHT-XX

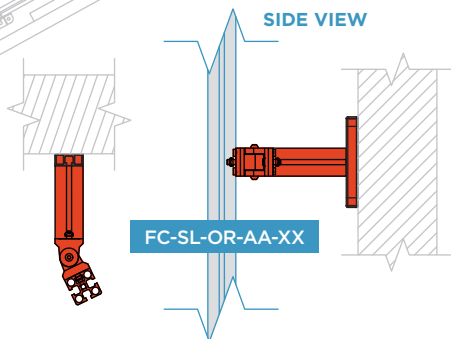
**All Outrigger styles are available as a custom support solution up to 48" long. Actual type, configuration and length will be based on the final design.*

CURVED CONFIGURATION



TOP VIEW

TOP VIEW

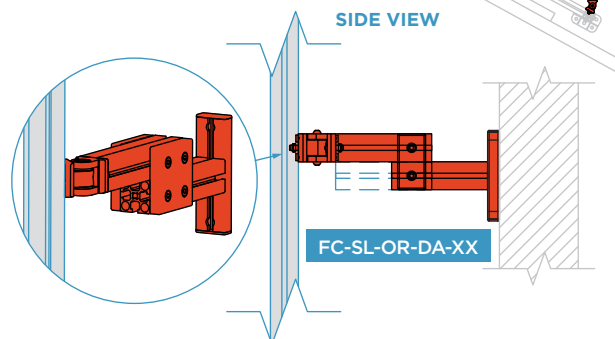


SIDE VIEW

FC-SL-OR-AA-XX

**Angle Adjustable
Outrigger**

(Angle Left and Right)
Variable lengths up to 48" (1219.2mm)



SIDE VIEW

FC-SL-OR-DA-XX

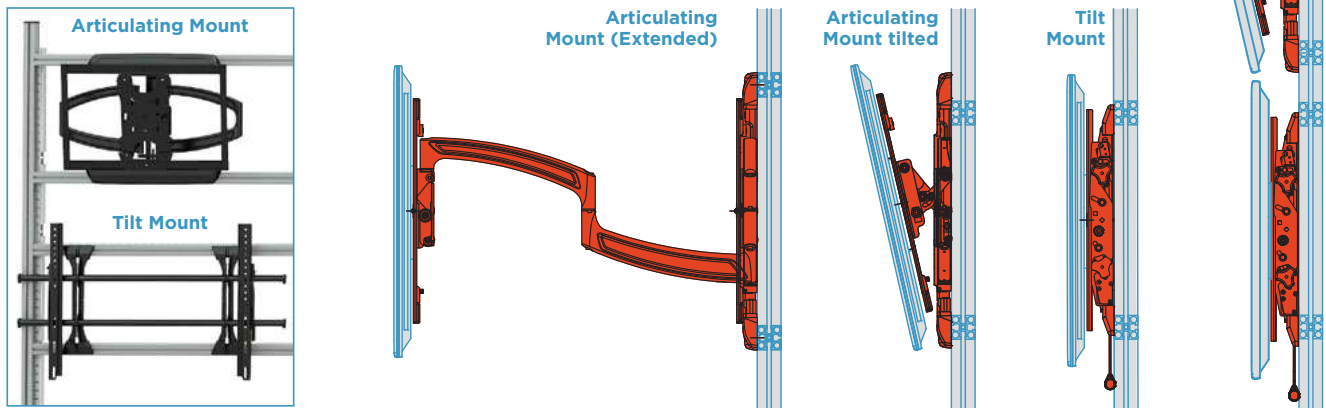
Dual Action Outrigger

(Straight; In & Out and Angle; Left & Right)
Variable lengths up to 48" (1219.2mm)



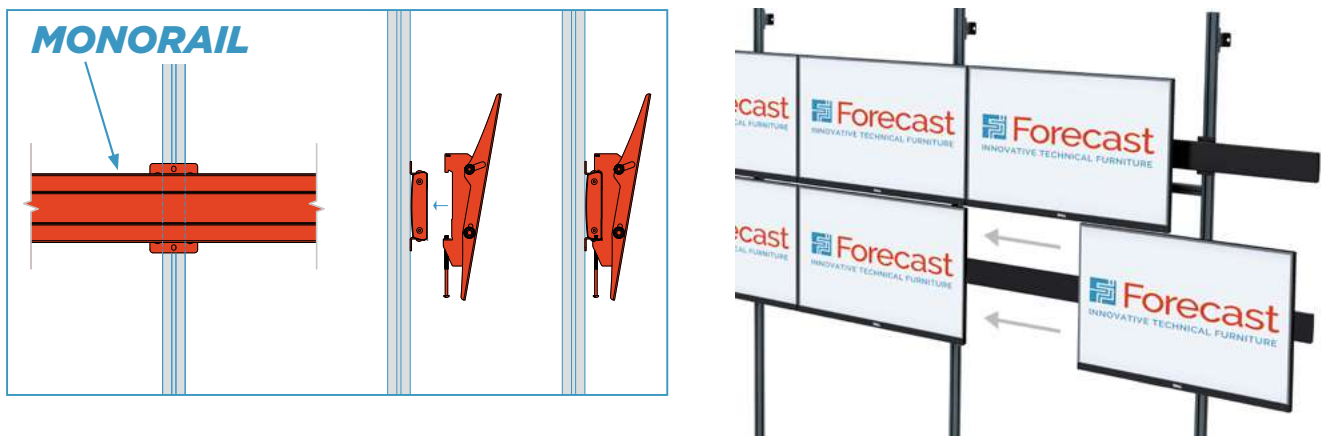
QuickRail Monitor Mounting

QuickRails are designed as a universal mounting platform, compatible with almost any monitor mount. We stock two mount types, standard tilt and fully articulating.



MonoRail Monitor Mounting

MonoRail is designed specifically for video wall mounts. They offer a full range of post installation adjustments ensuring a seamless bezel to bezel installation. The mounts can slide horizontally across the full width of the rail and come with a quick release for easy removal and maintenance.

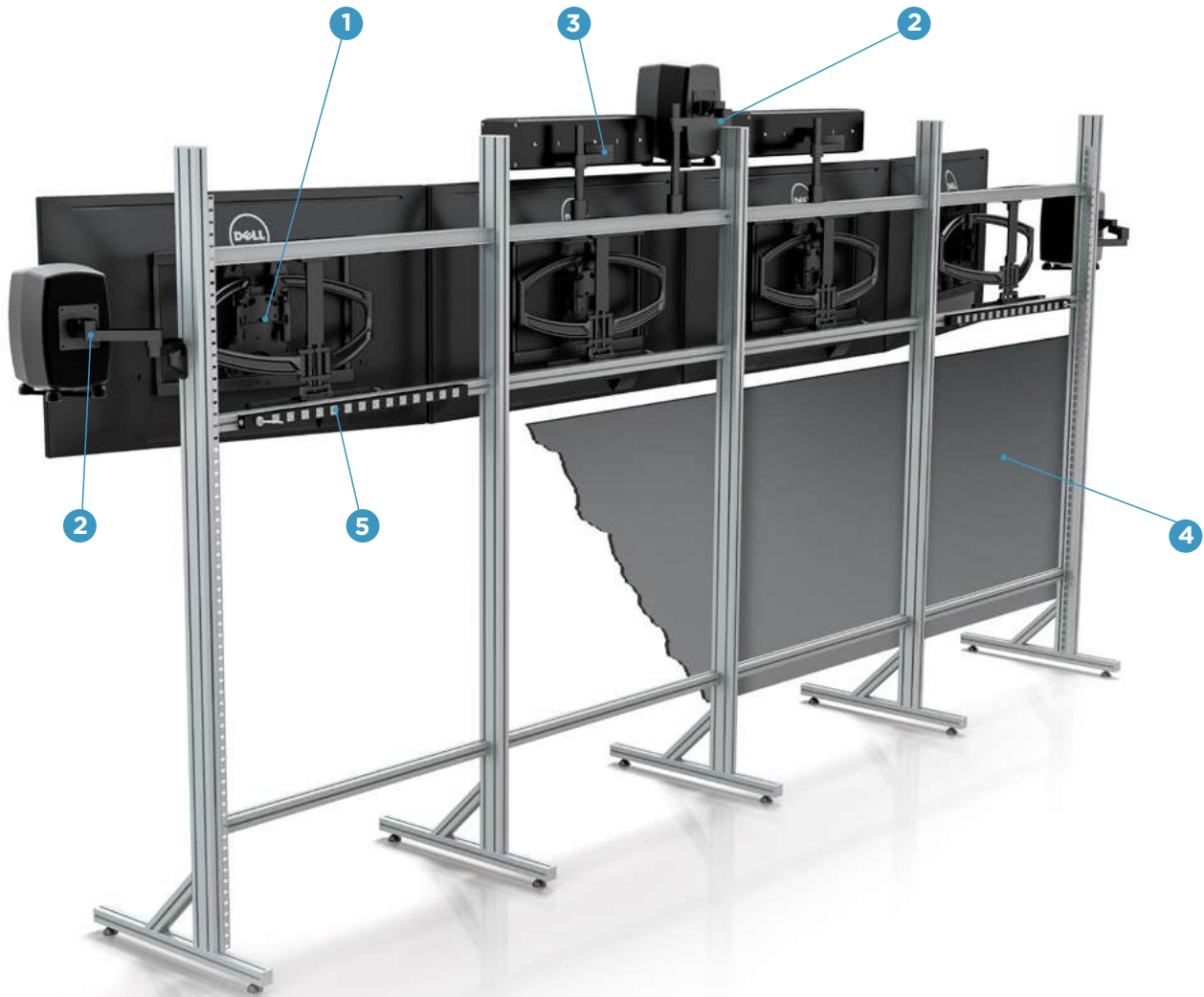




Sightline Accessories

Sightline offers a wide variety of mounting accessories.

- ① **Monitors** - Fully Articulating, Tilt and Video Wall mounts.
- ② **Speakers** - Articulating Arms with platforms or mounting plates.
- ③ **Clock and Rack Gear** - Custom mounting solutions.
- ④ **Soundproof Fascia Cladding** - To reduce ambient sound and hide wiring.
- ⑤ **Power Distribution Unit** - For localized power distribution.





MasterVision™
 Low-Profile Production &
 Monitoring Console System



Sightline™
 Configurable Monitor
 Wall System



GCX-Chassis™
 Modular Desk System for
 One or More Operators

For more information: **(800) 735-2070** or **info@forecast-consoles.com**

All designs, plans, ideas & specifications in this drawing remain the entire property of Forecast Consoles Inc. and may not be reproduced or used in any manner without written consent.

**Prices upon request*