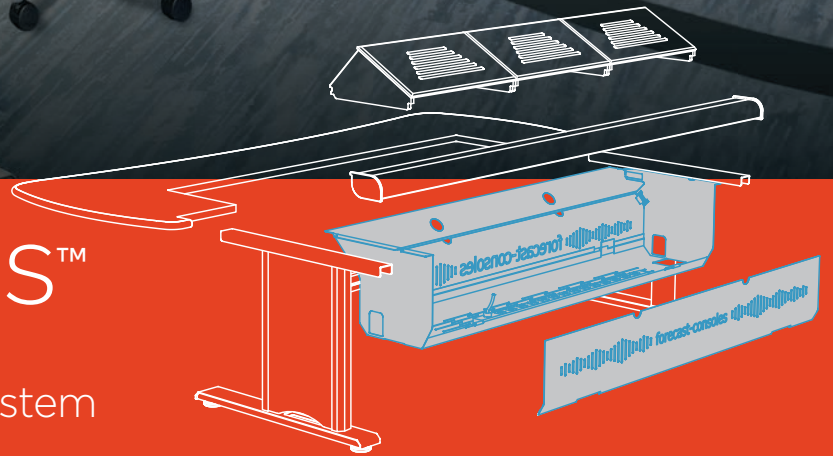




The infinitely accessible, light weight and affordable console solution



GCX-Chassis™

Total Access, Affordable
X-Chassis Based Console System



GCX-W: WORKSTATION
Individual Console



GCX-S: SIT-2-STAND
Electronic Height Adjustable



GCX-C: CONTINUUM
Expandable and Configurable

GCX product line options:

TABLE OF CONTENTS:

GCX

- The Anatomy of GCX.....2
- The Look of your GCX3
- GCX in Action.....4
- Turret Options.....6
- X-Chassis Dimensions7
- Wiring.....8
- Console Section Dimensions9

GCX-S

- GCX-S1 Base Model12
- GCX-S1 Countertop Options.....13
- GCX-S2 Base Model14
- GCX-S2 Countertop Options.....15
- GCX-S3 Base Model16
- GCX-S3 Countertop Options.....17

GCX-W

- GCX-W1 Base Model20
- GCX-W1 Countertop Options.....21
- GCX-W2 Base Model22
- GCX-W2 Countertop Options.....23
- GCX-W3 Base Model24
- GCX-W3 Countertop Options.....25

GCX-C Continuum

- GCX-Continuum.....28
- Curved Layouts29
- GCX Continuum Detail30
- Pre-Configured Models31
- Curved Console Cockpit.....34
- Transitions.....35
- Rack Base Options37
- Equipment Wedge Options38
- Accessories.....39



GCX-W

- Stationary console available in 1, 2 and 3 bay wide X-Chassis
- Legs have removable panels to access cables from X-Chassis to floor
- Lift-off, removable, vented turrets and filler panels available



GCX-S

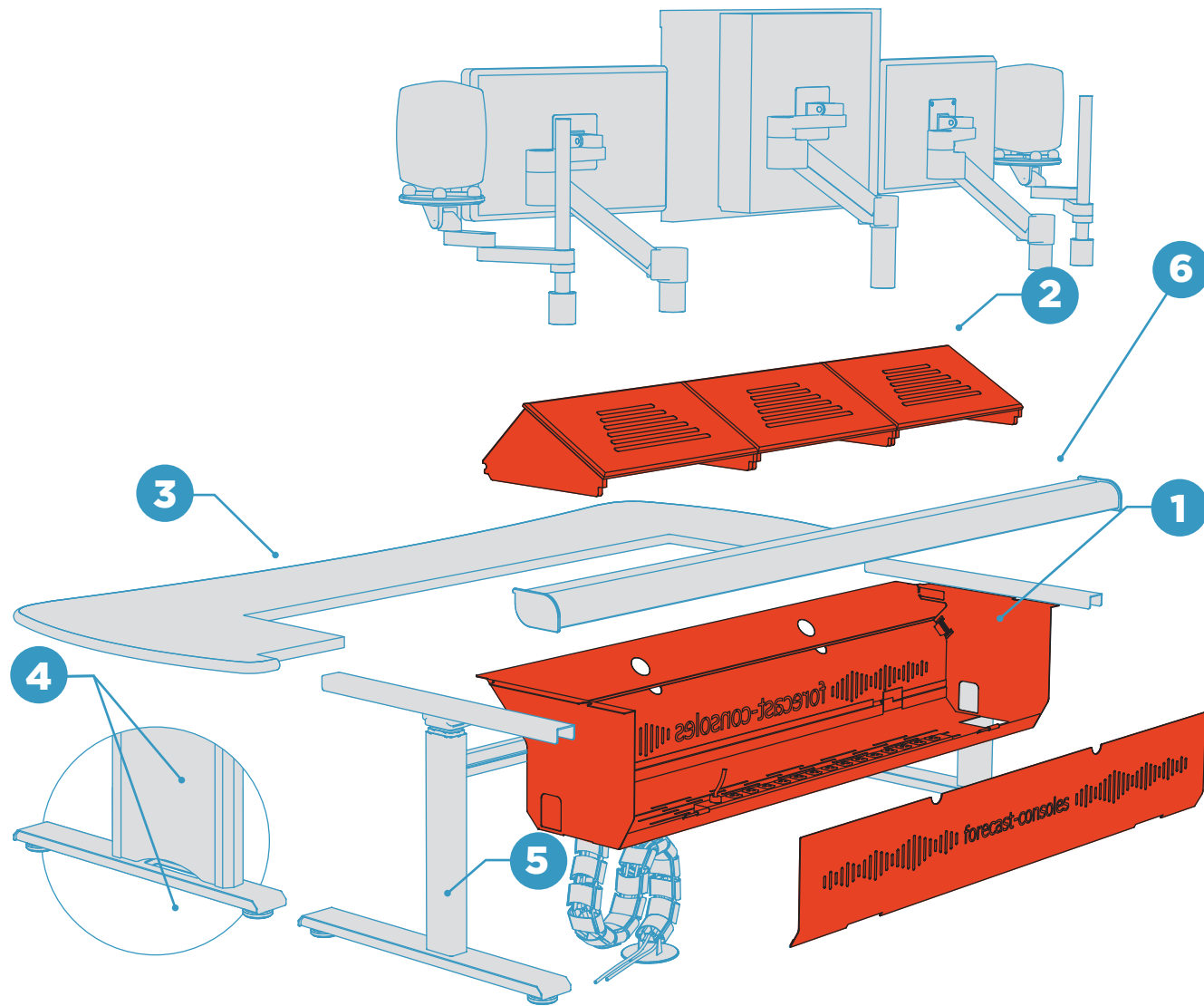
- Countertop height fully adjustable from 25" to 50"
- Motorized legs have a 500 lb. lift capacity
- Flexible and protective cable management
- Console available in 1, 2 and 3 bay wide X-Chassis
- Electronic handset switch has 3-programmable height settings



GCX-C

- Infinitely expandable and configurable console
- Based on combining 1, 2 and 3 bay wide X-Chassis to create a fully customized console
- Can be configured in any shape to compliment any size room

The anatomy of a GCX:



- 1** Lightweight steel **X-Chassis** with removable hinged doors. Available in 1, 2 and 3 bay widths.
- 2** Vented and lift-off **removable turrets** are available in 2, 3, 4 & 5 rack units (Can be combined with 1 and 1/2 bay countertop fillers).
- 3** Available in multiple **countertop** sizes, styles and finishes.
- 4** Stationary legs for **Continuum** (GCX-C) & **Workstation** (GCX-W). Legs have removable panels to easily route cables to the floor.
- 5** **Sit-2-Stand** console (GCX-S) uses electronically controlled height adjustable legs. Adjusts from approximately 25" to 50" at countertop height.
- 6** **Rear Rail** for accessory mounting.

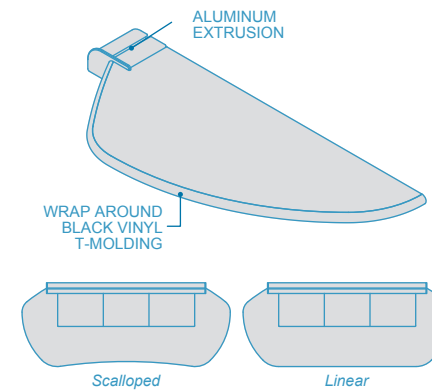
The look of your GCX:

Give your consoles their own look

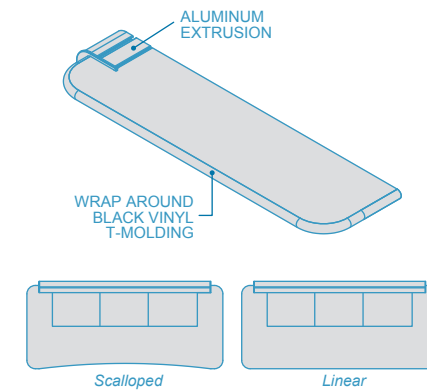
COUNTLESS COUNTERTOP VARIATIONS

Various countertop shapes, end details, materials and colors allow you to create the perfect console for your needs.

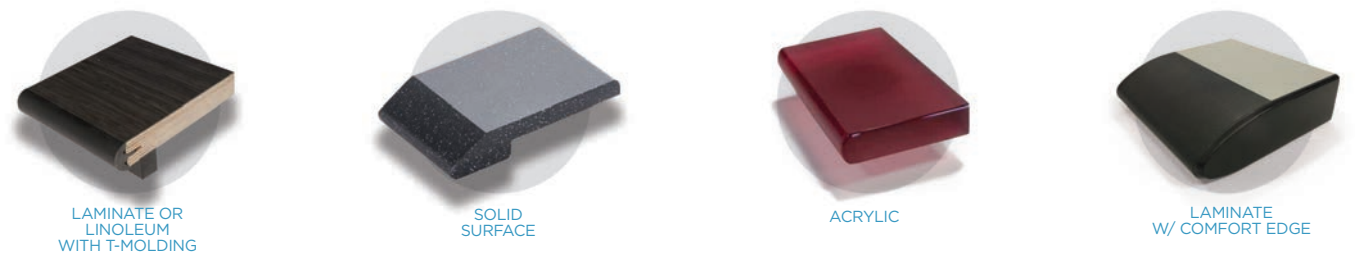
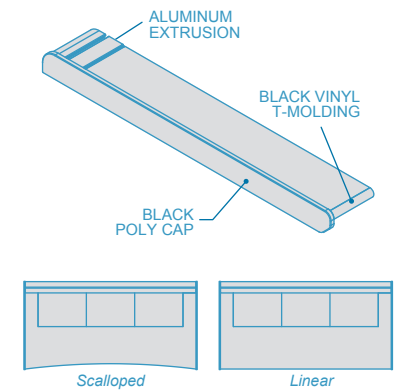
CURVED COUNTERTOP



SQUARED COUNTERTOP



CAPPED COUNTERTOP



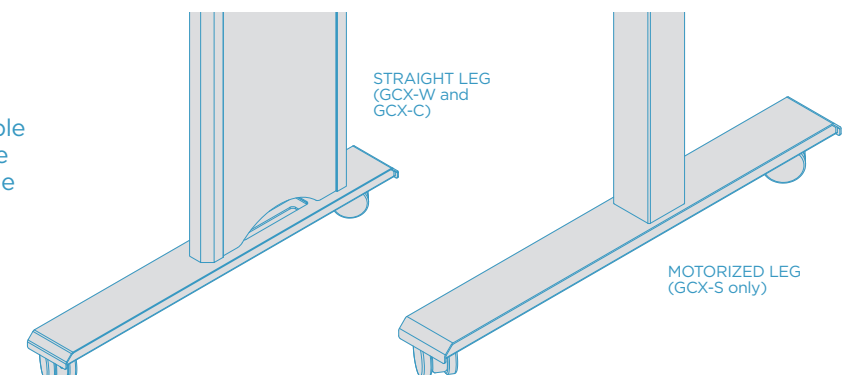
Standard Laminates



A leg to stand on

LEG OPTIONS

Console leg comes standard with adjustable height floor levelers. Combination lockable front & free-wheel rear casters are available as an upgrade.

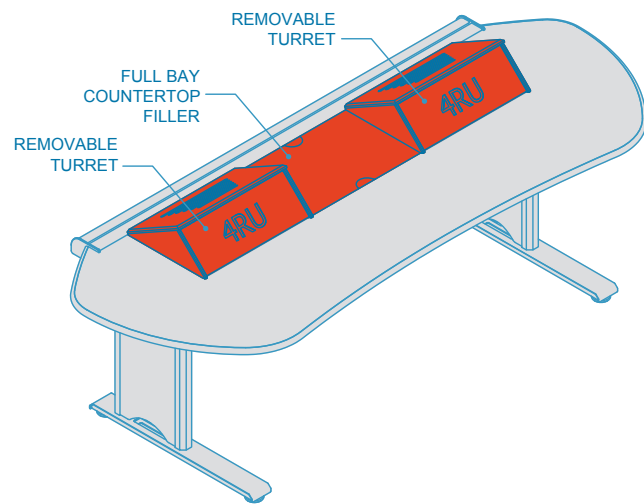
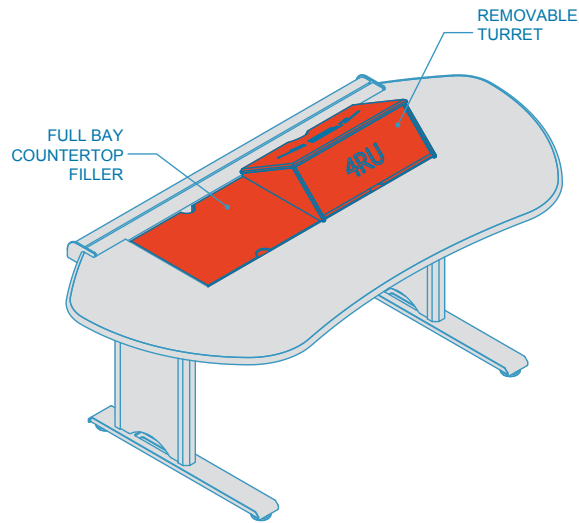


GCX in action:

One man show

GCX-W WORKSTATION -
EVERYTHING AT YOUR FINGERTIPS

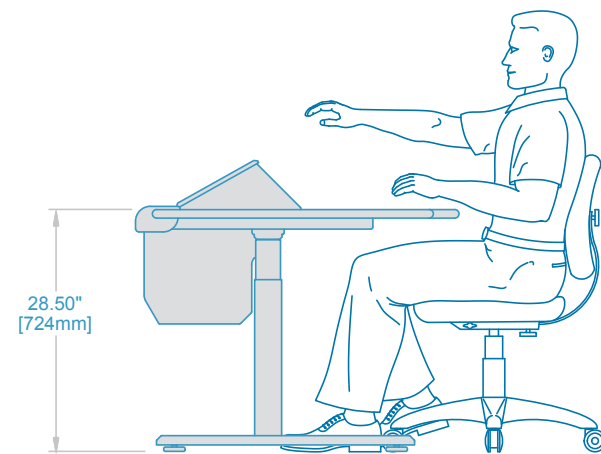
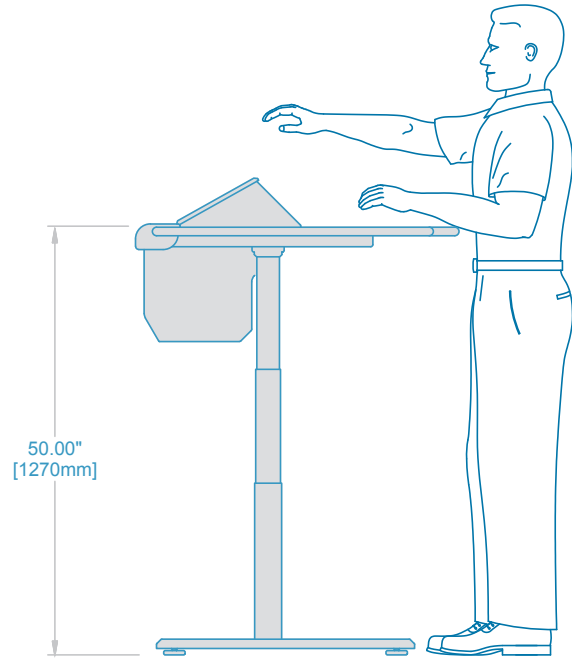
W Workstations offer the best possible solutions for non-linear editing, graphics and color correction workstations. The consoles are pre-engineered, affordable and ready for quick-ship.



Rise to the occasion

GCX-S SIT-2-STAND -
ELECTRONIC HEIGHT ADJUSTABLE

S All GCX-S are fully height adjustable with electronically controlled actuators, capable of 500 pounds of lift. This allows the countertop height to go from 25 inches above the floor all the way to 50 inches.

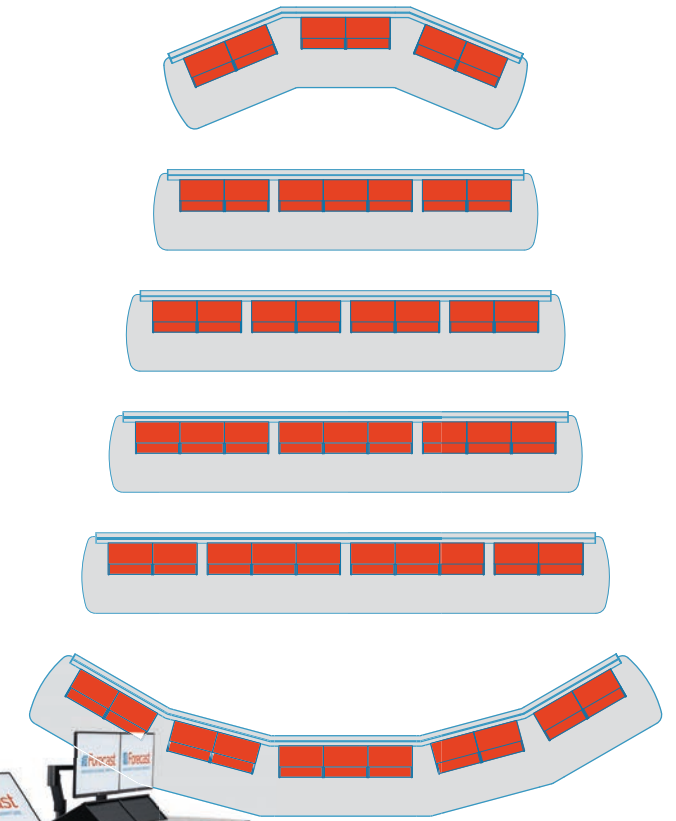


NOTE: Countertop height is not shown in the lowest position

Infinitely expandable and configurable

GCX-C CONTINUUM -
FITS ANY/EVERY ROOM SIZE OR SHAPE

C Continuum can be configured in rows, or in concave or convex curves as well as freeform S-shape footprints. The lower transition panels ensure that wiring between units is protected and hidden from view. The rear aluminum extrusion (accessories rail) is custom cut to match the final shape allowing for easy addition and relocation of the monitor arms and other mounted accessories.

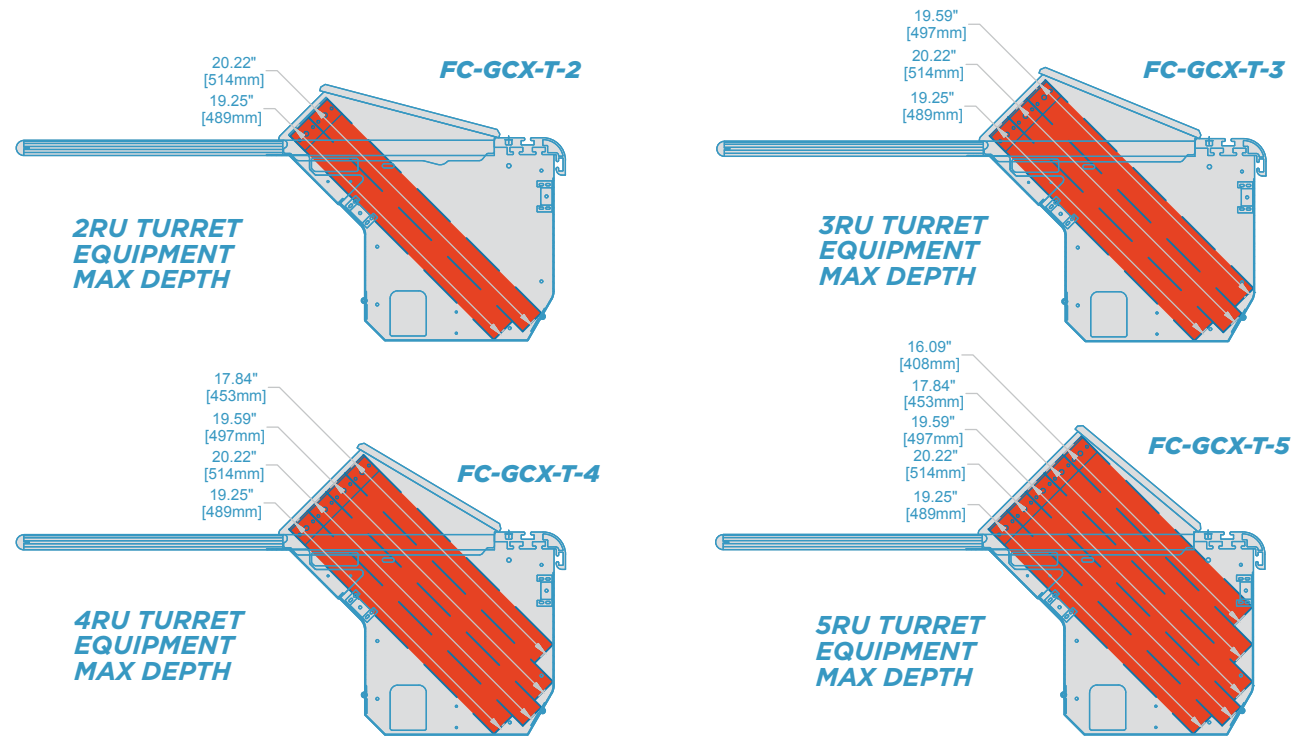


GCX-Chassis™

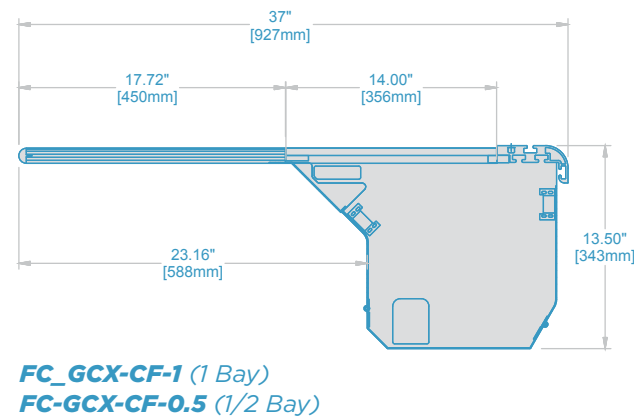
Specs & Configurations



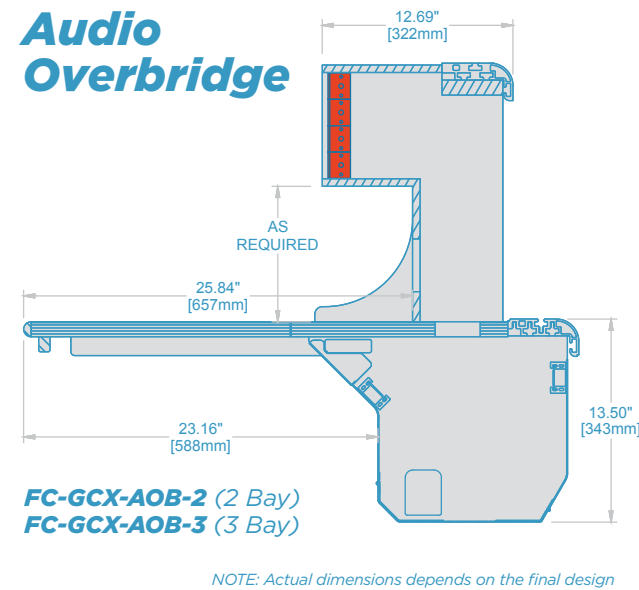
Removable Turrets



Removable C-Top Filler



Audio Overbridge



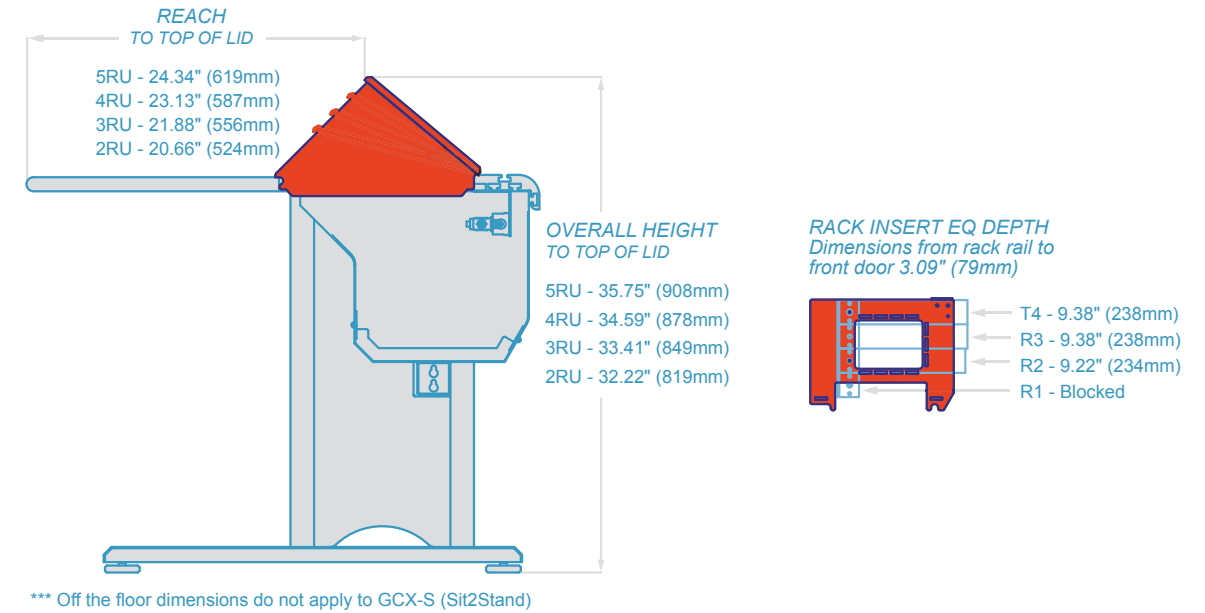
GCX-Chassis™

Specs & Configurations

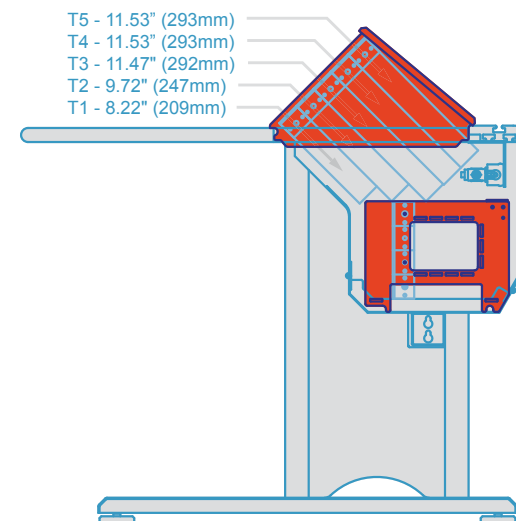


Dimensions with Rack Turret options

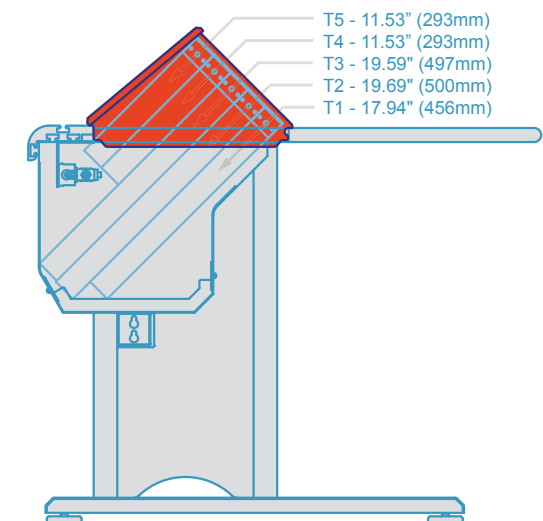
MasterVision removable rack inserts are available in 3 and 4 rack unit. Diagrams below show maximum equipment depth when using a 5 rack unit turret and 3 and 4 rack unit undercounter rack insert combinations.



TURRET EQ DEPTH OVER RACK INSERT

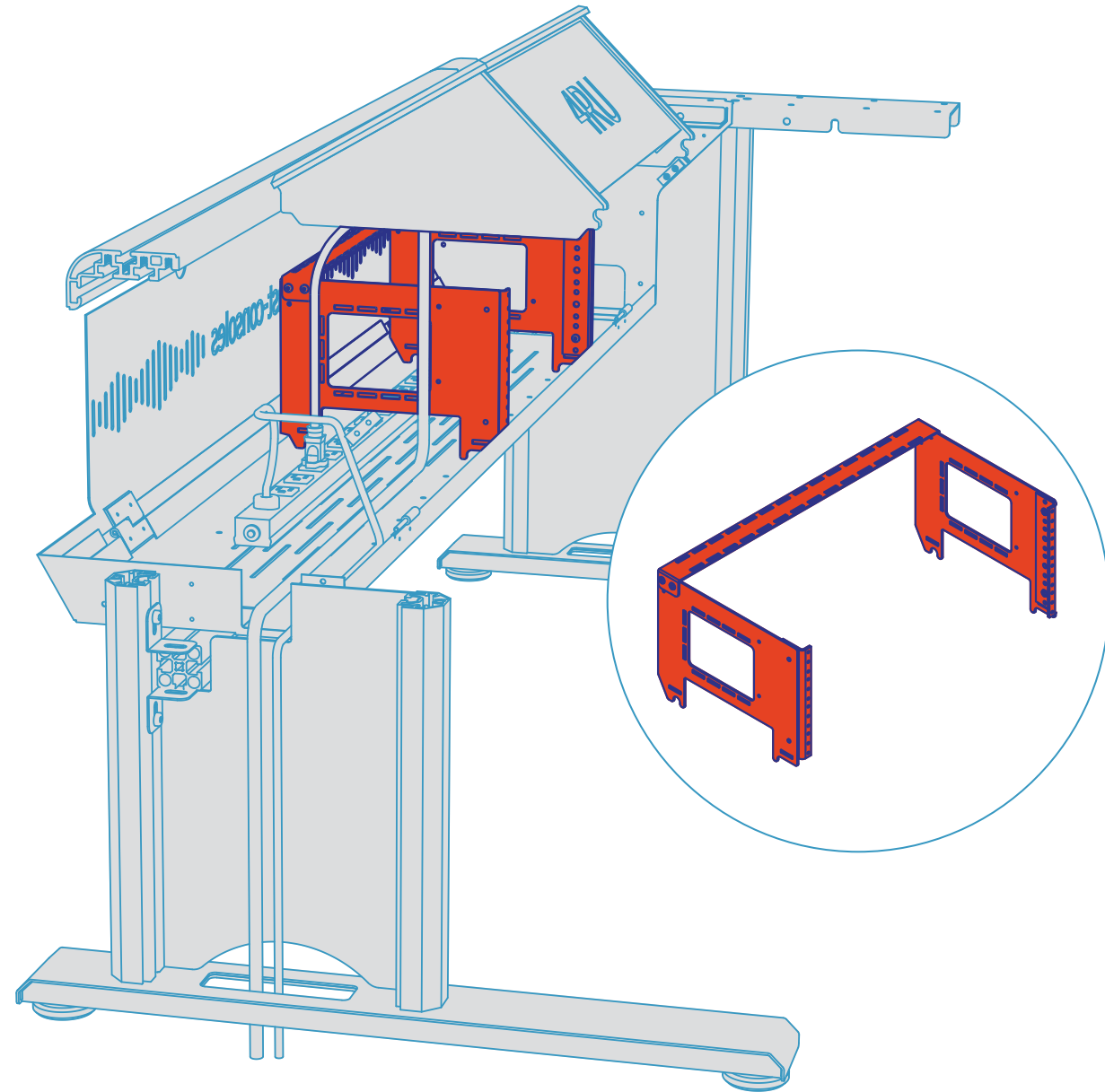


TURRET EQ DEPTH



GCX-Chassis™

Specs & Configurations



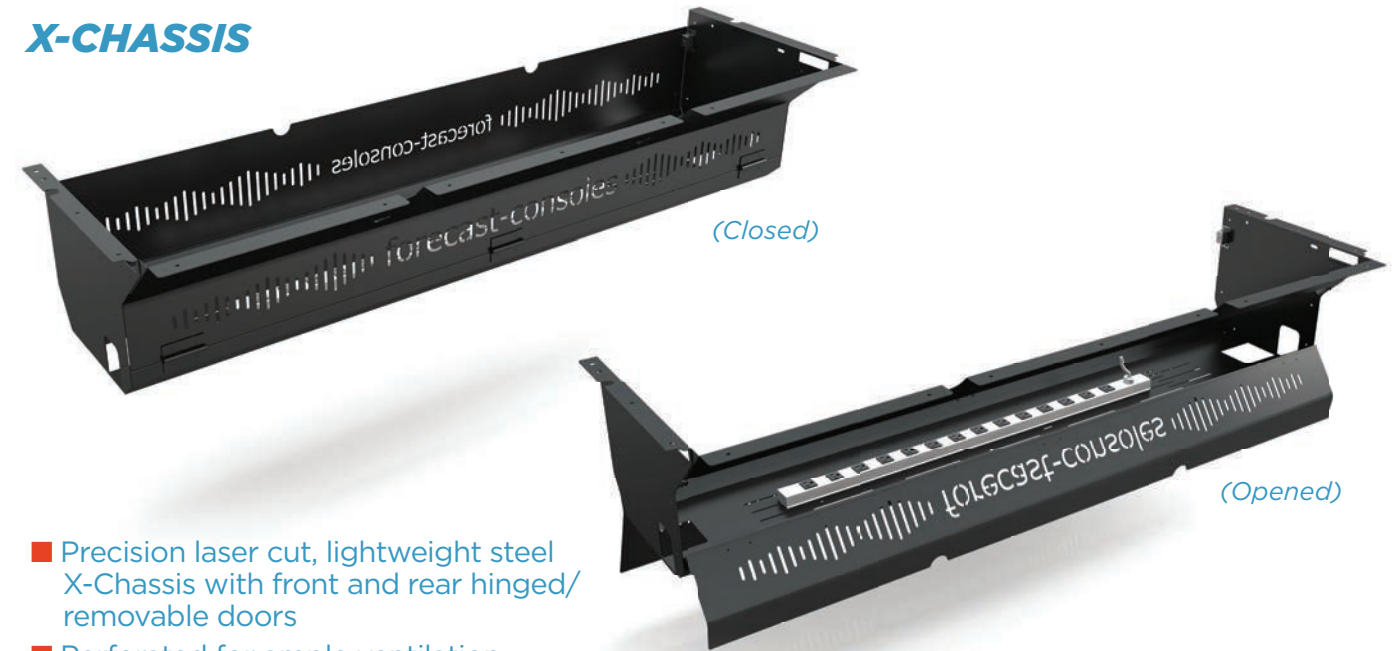
All designs, plans, ideas & specifications in this drawing remain the entire property of Forecast Consoles Inc. and may not be reproduced or used in any manner without written consent. | (631) 253-9000 or info@forecast-consoles.com

GCX-Chassis™

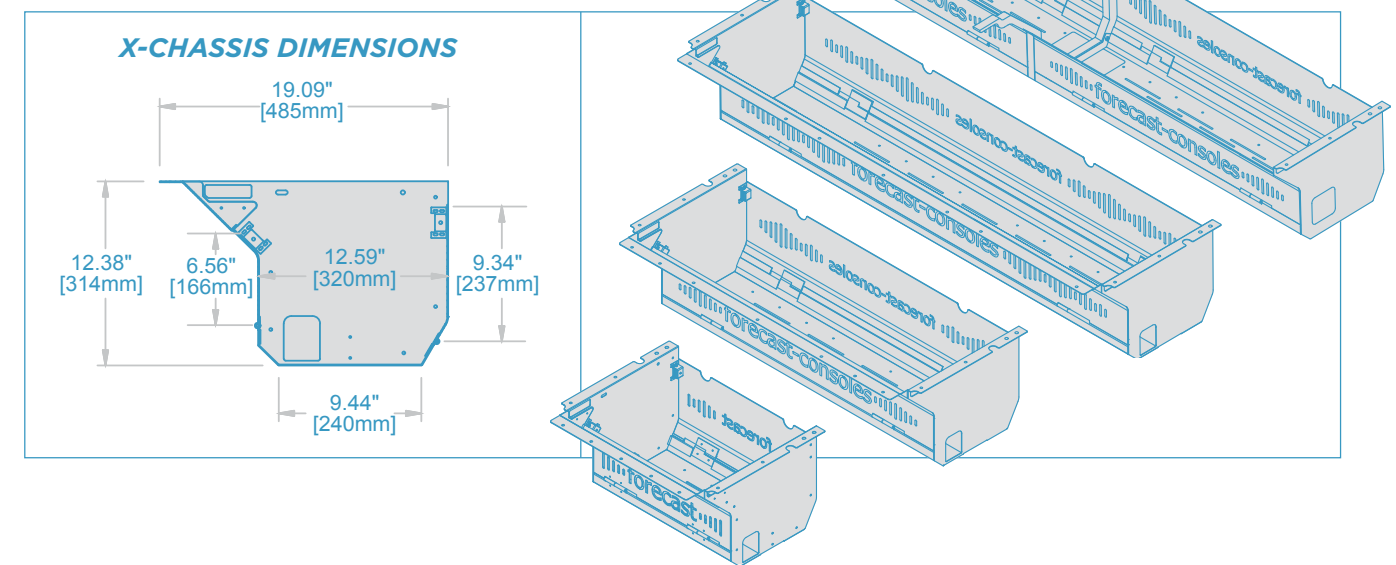
Specs & Configurations



X-CHASSIS



- Precision laser cut, lightweight steel X-Chassis with front and rear hinged/removable doors
- Perforated for ample ventilation
- Integrated power distribution options
- Multiple slots for managing cables
- Strategically placed holes for cable routing
- Open design for easy access



(631) 253-9000 or info@forecast-consoles.com | All designs, plans, ideas & specifications in this drawing remain the entire property of Forecast Consoles Inc. and may not be reproduced or used in any manner without written consent.

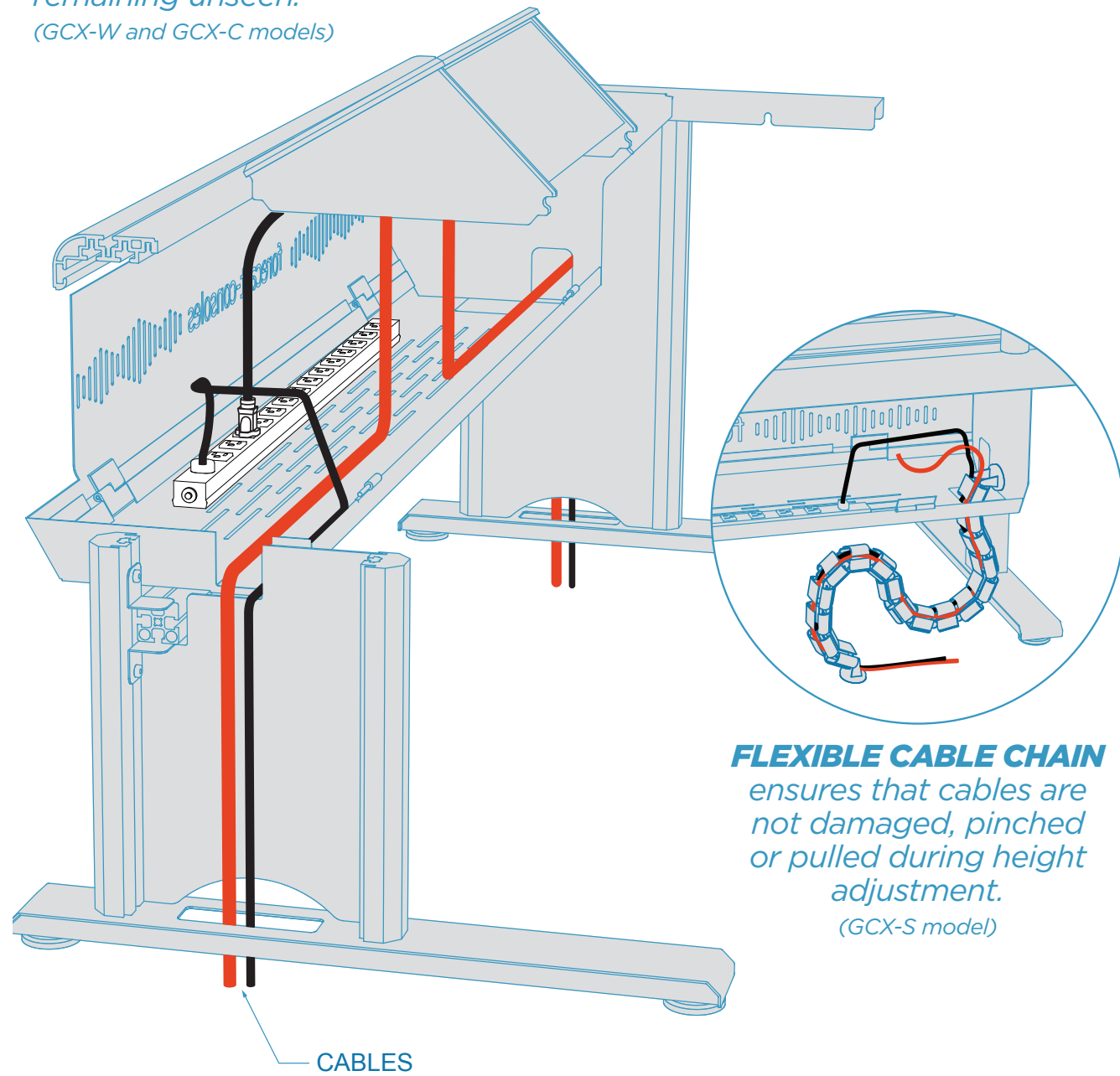
GCX-Chassis™

Specs & Configurations



CABLE PATHS ensure that wiring can easily be passed between X-Chassis' and support legs while remaining unseen.

(GCX-W and GCX-C models)



FLEXIBLE CABLE CHAIN ensures that cables are not damaged, pinched or pulled during height adjustment.

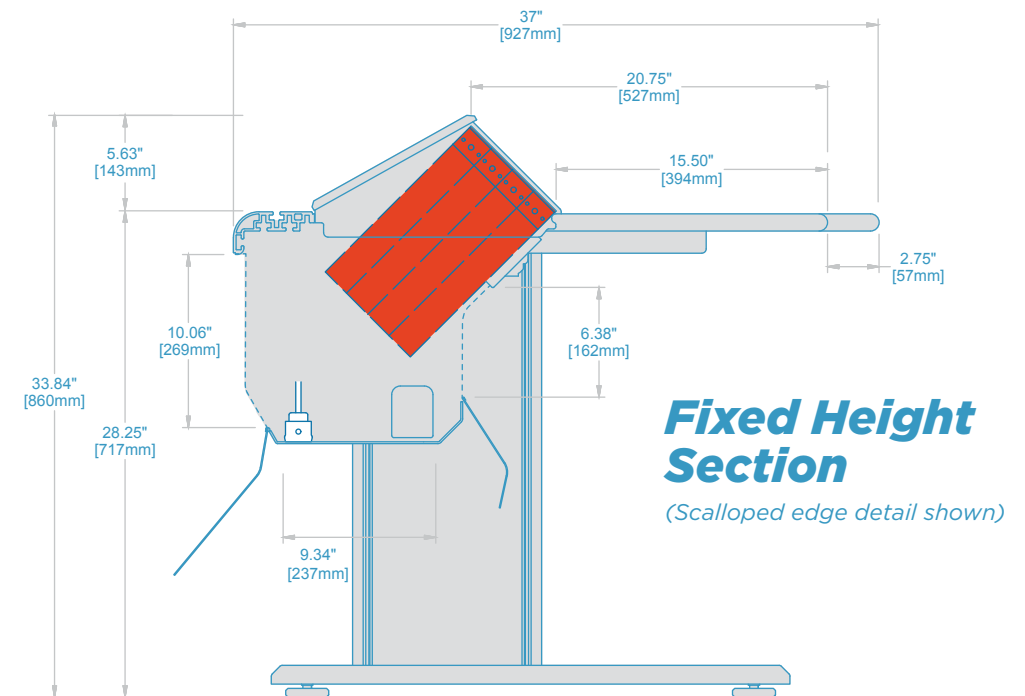
(GCX-S model)

All designs, plans, ideas & specifications in this drawing remain the entire property of Forecast Consoles Inc. and may not be reproduced or used in any manner without written consent.

(631) 253-9000 or info@forecast-consoles.com

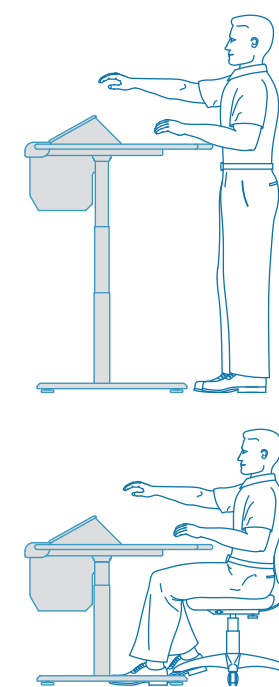
GCX-Chassis™

Specs & Configurations

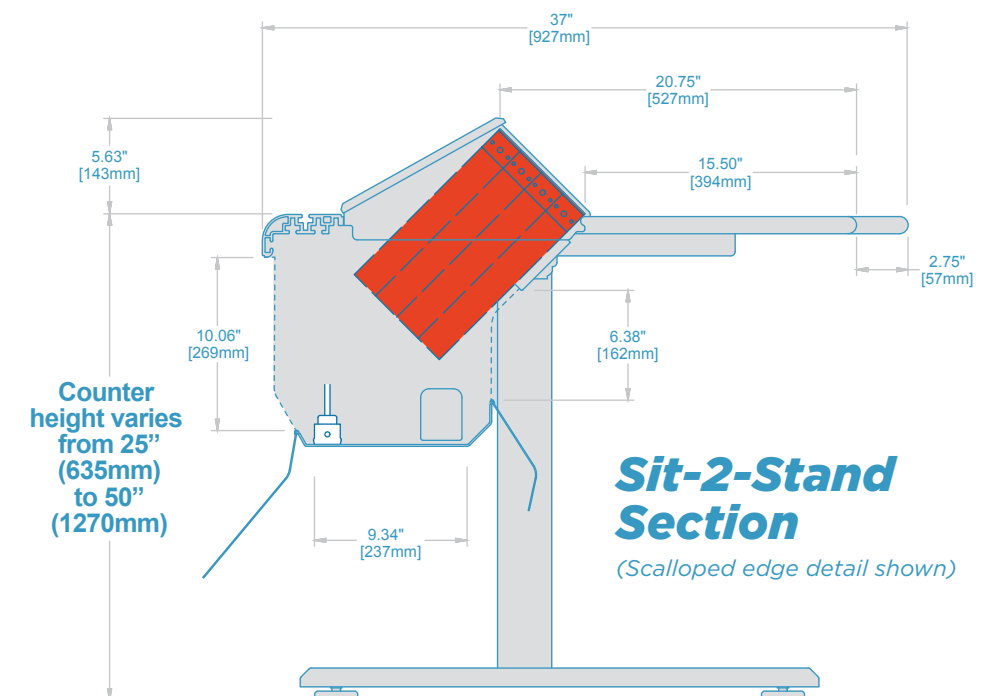


Fixed Height Section

(Scalloped edge detail shown)



Counter height varies from 25" (635mm) to 50" (1270mm)



Sit-2-Stand Section

(Scalloped edge detail shown)

(631) 253-9000 or info@forecast-consoles.com

All designs, plans, ideas & specifications in this drawing remain the entire property of Forecast Consoles Inc. and may not be reproduced or used in any manner without written consent.



GCX-S Sit-2-Stand™

Electronic Height Adjustment



GCX-S (Sit-2-Stand console)

- Console available in 1, 2 and 3 bay wide X-Chassis
- Countertop height fully adjustable from 25" to 50"
- Motorized legs have a 500 lb. lift capacity
- Flexible and protective cable management
- Electronic controller has three programmable height settings



(631) 253-9000 or info@forecast-consoles.com

All designs, plans, ideas & specifications in this drawing remain the entire property of Forecast Consoles Inc. and may not be reproduced or used in any manner without written consent.

GCX-S Sit-2-Stand™

Electronic Height Adjustment

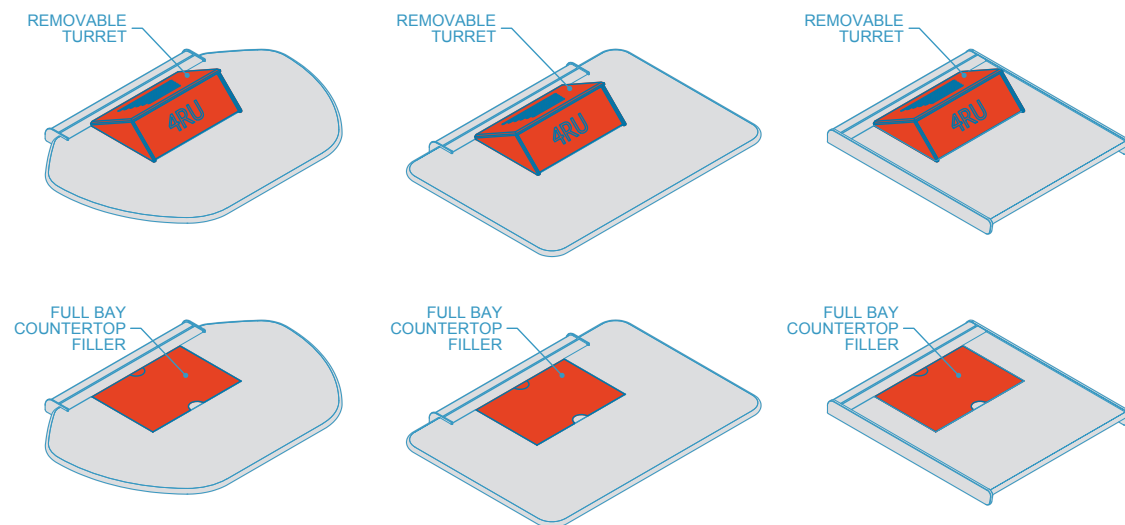


GCX-S1



Turret and Filler Configurations

All turrets and countertop filler panels are individually removable and reconfigurable. Allowing you the most flexibility.



All designs, plans, ideas & specifications in this drawing remain the entire property of Forecast Consoles Inc. and may not be reproduced or used in any manner without written consent.

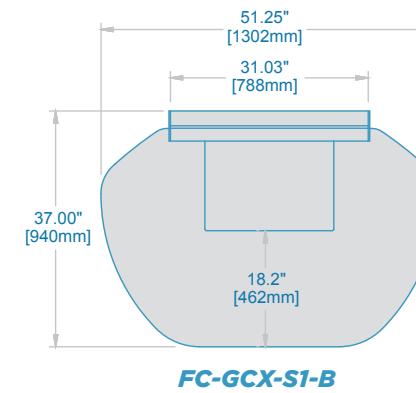
(631) 253-9000 or info@forecast-consoles.com

GCX-S Sit-2-Stand™

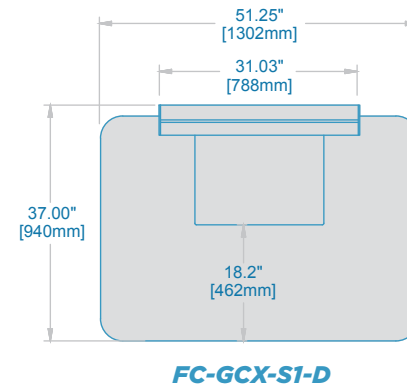
Electronic Height Adjustment



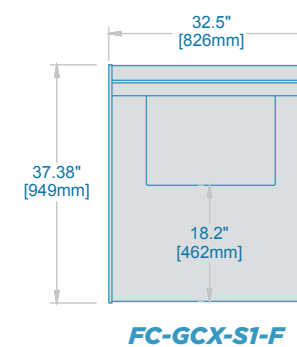
— CURVED C-TOP END DETAIL —



— SQUARED C-TOP END DETAIL —



— CAPPED C-TOP END DETAIL —



FC-GCX-S1

| | COUNTERTOP END DETAIL | | |
|------------------------------|---|---------------|---------------|
| | CURVED | SQUARED | CAPPED |
| WIDTH | 52.81" | 49.84" | 32.03" |
| DEPTH | 37" | | |
| MAX RU's | 10RU (1x5RU) | | |
| NUMBER OF OPERATORS | 1 | | |
| C-TOP DEPTH (Turret To Edge) | Scalloped 15.50" Linear 17.72" | | |

(631) 253-9000 or info@forecast-consoles.com

All designs, plans, ideas & specifications in this drawing remain the entire property of Forecast Consoles Inc. and may not be reproduced or used in any manner without written consent.

GCX-S Sit-2-Stand™

Electronic Height Adjustment

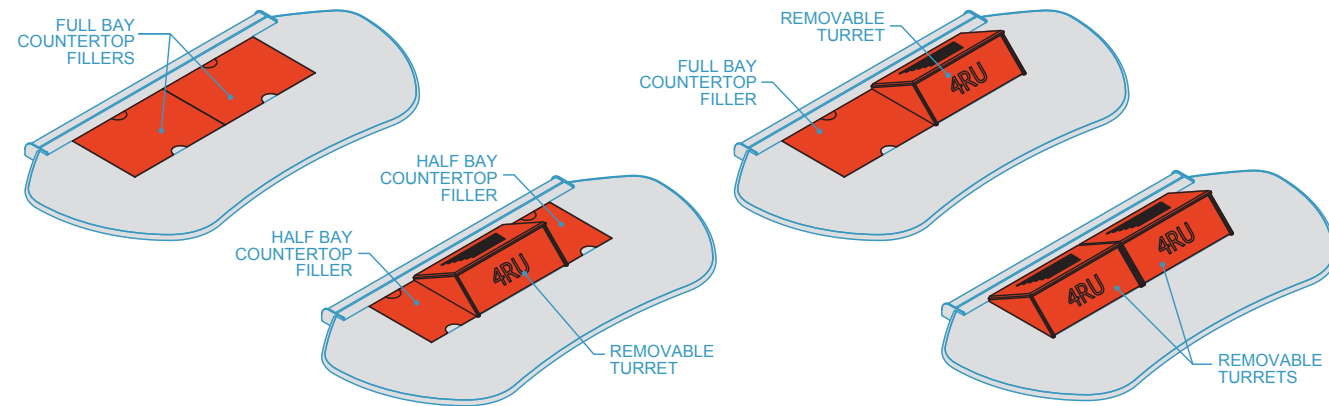


GCX-S2



Turret and Filler Configurations

All turrets and countertop filler panels are individually removable and reconfigurable. Allowing you the most flexibility.



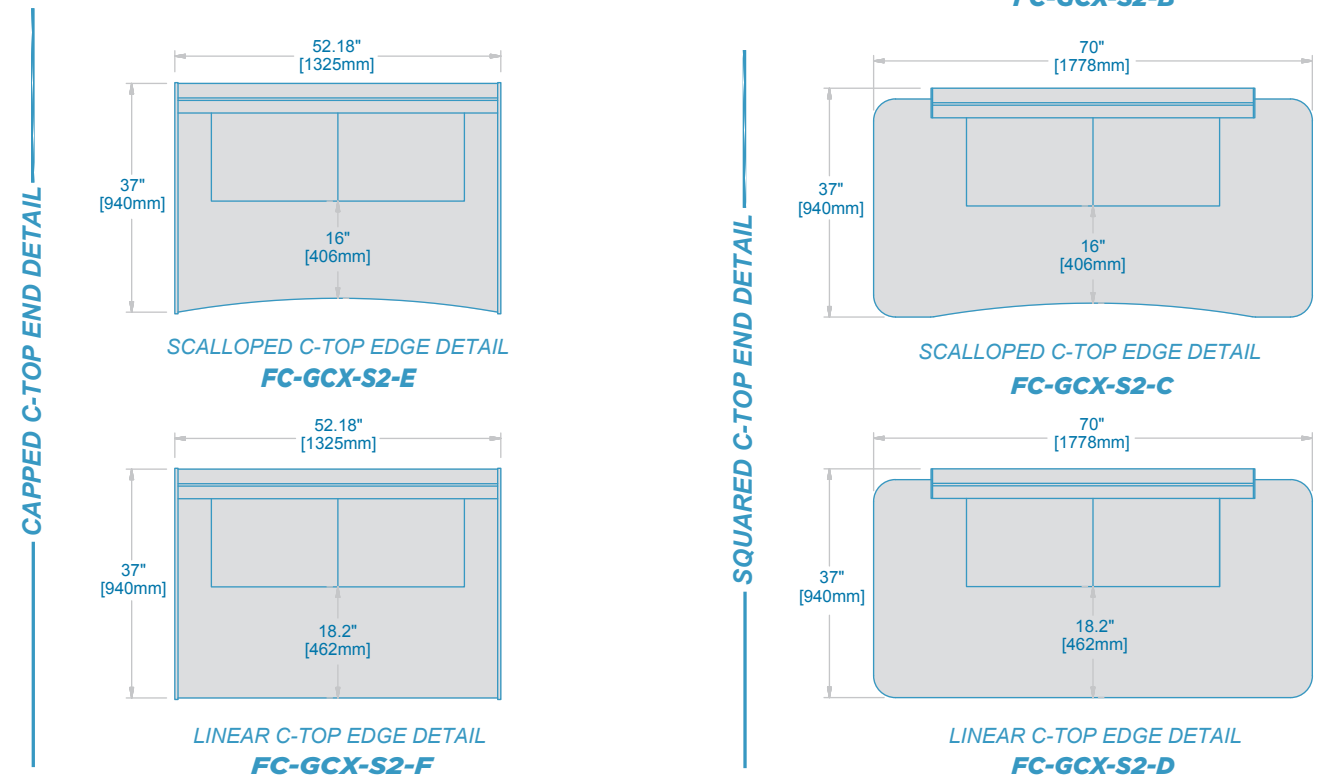
All designs, plans, ideas & specifications in this drawing remain the entire property of Forecast Consoles Inc. and may not be reproduced or used in any manner without written consent. | (631) 253-9000 or info@forecast-consoles.com

GCX-S Sit-2-Stand™

Electronic Height Adjustment



| FC-GCX-S2 | | | |
|------------------------------|-----------------------------------|---------|--------|
| | COUNTERTOP END DETAIL | | |
| | CURVED | SQUARED | CAPPED |
| WIDTH | 73" | 70" | 52" |
| DEPTH | 37" | | |
| MAX RU's | 10RU (2x5RU) | | |
| NUMBER OF OPERATORS | 1 | | |
| C-TOP DEPTH (Turret To Edge) | Scalloped 15.50" Linear 17.72" | | |



(631) 253-9000 or info@forecast-consoles.com | All designs, plans, ideas & specifications in this drawing remain the entire property of Forecast Consoles Inc. and may not be reproduced or used in any manner without written consent.

GCX-S Sit-2-Stand™

Electronic Height Adjustment

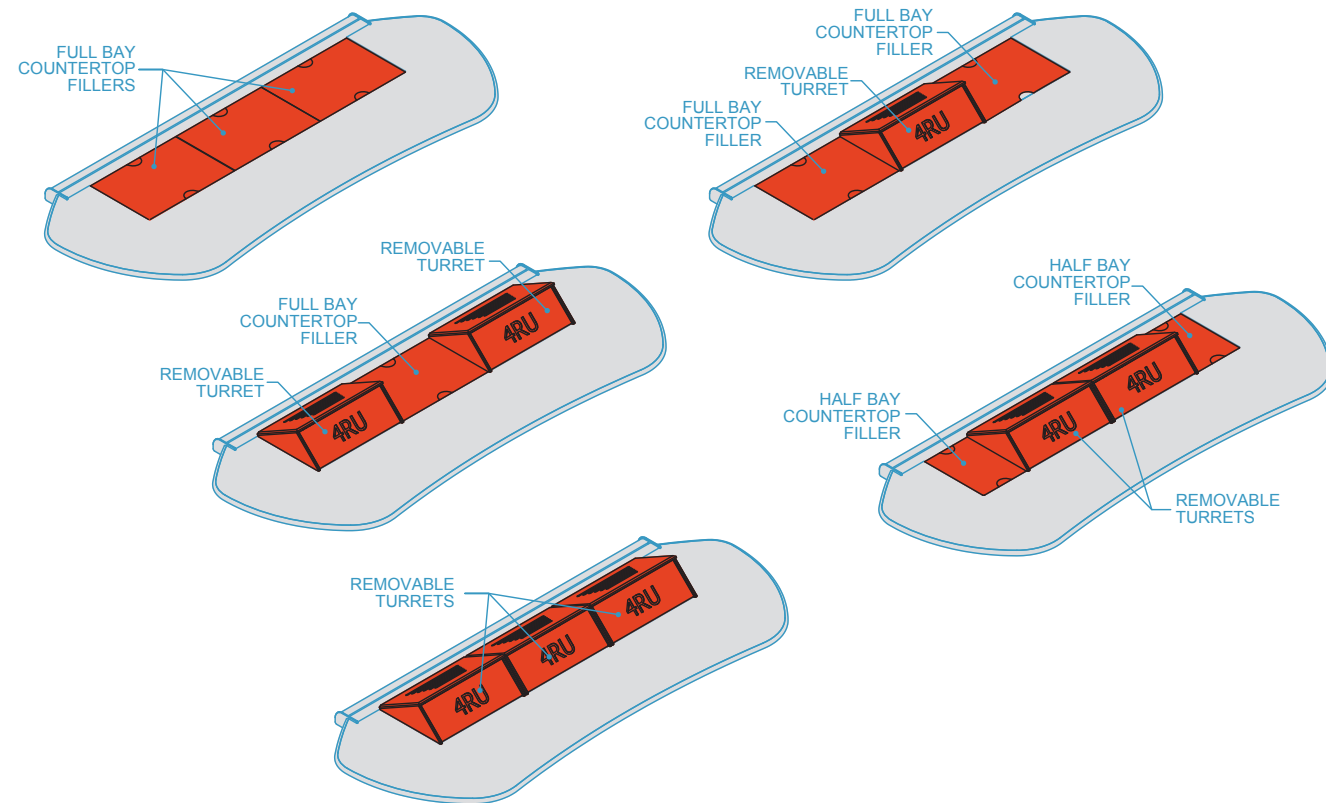


GCX-S3



Turret and Filler Configurations

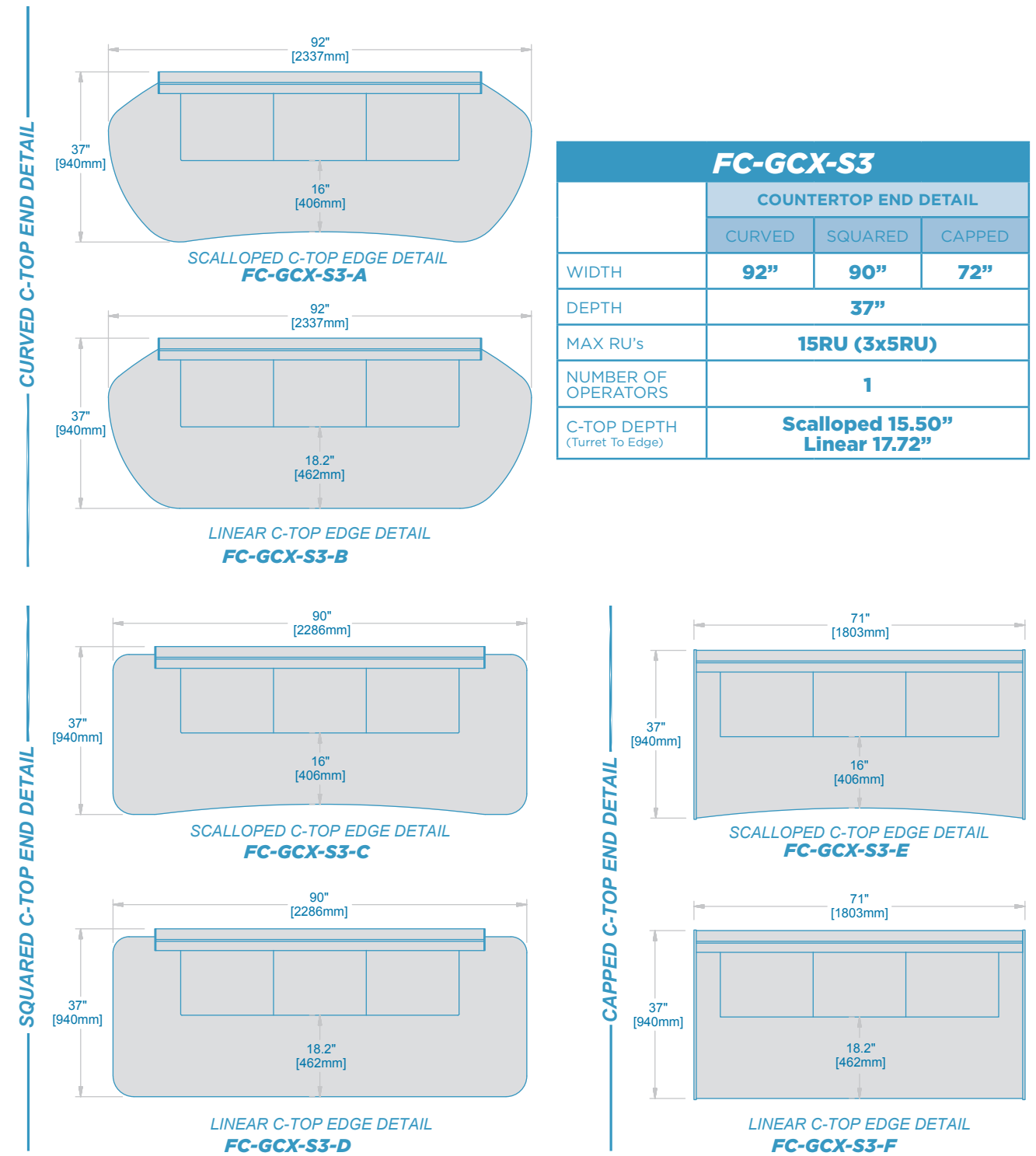
All turrets and countertop filler panels are individually removable and reconfigurable. Allowing you the most flexibility.



All designs, plans, ideas & specifications in this drawing remain the entire property of Forecast Consoles Inc. and may not be reproduced or used in any manner without written consent. | (631) 253-9000 or info@forecast-consoles.com

GCX-S Sit-2-Stand™

Electronic Height Adjustment



(631) 253-9000 or info@forecast-consoles.com | All designs, plans, ideas & specifications in this drawing remain the entire property of Forecast Consoles Inc. and may not be reproduced or used in any manner without written consent.

GCX-S Sit-2-Stand™

Electronic Height Adjustment



GCX-S4

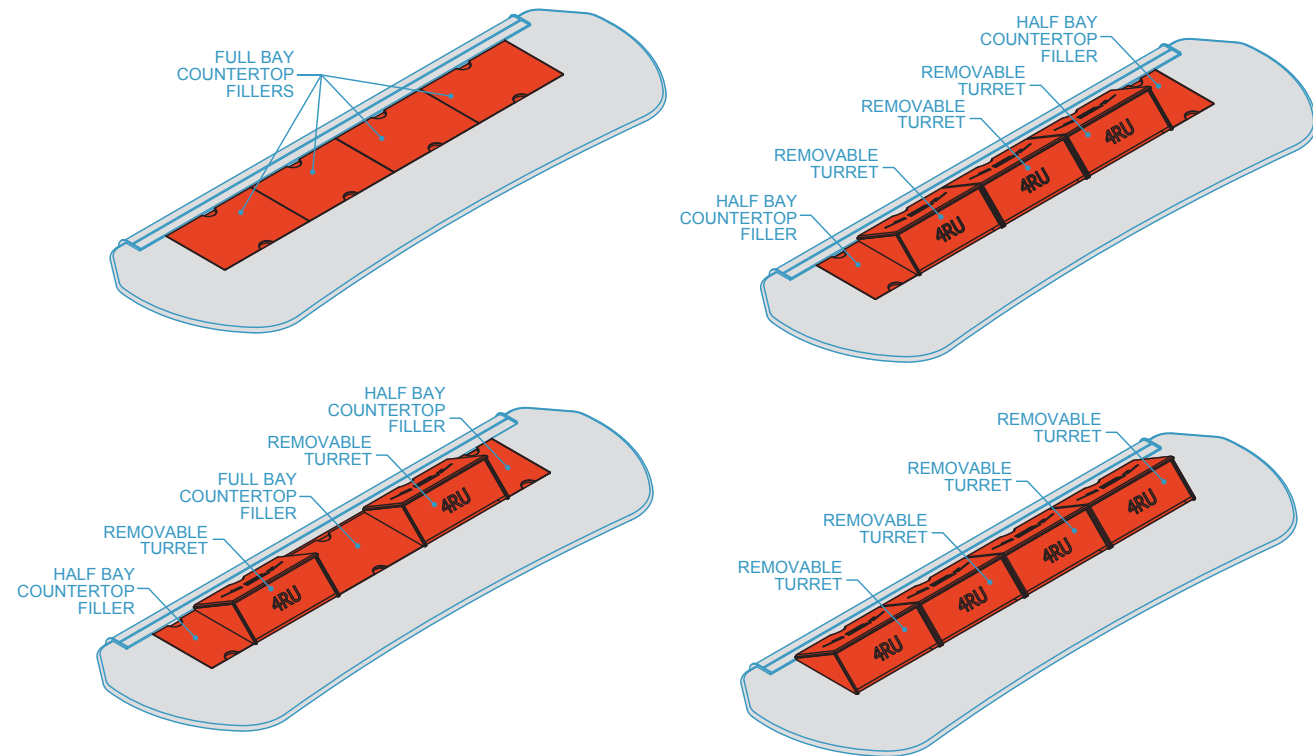


4 BAY FRONT VIEW

4 BAY REAR VIEW

Turret and Filler Configurations

All turrets and countertop filler panels are individually removable and reconfigurable. Allowing you the most flexibility.



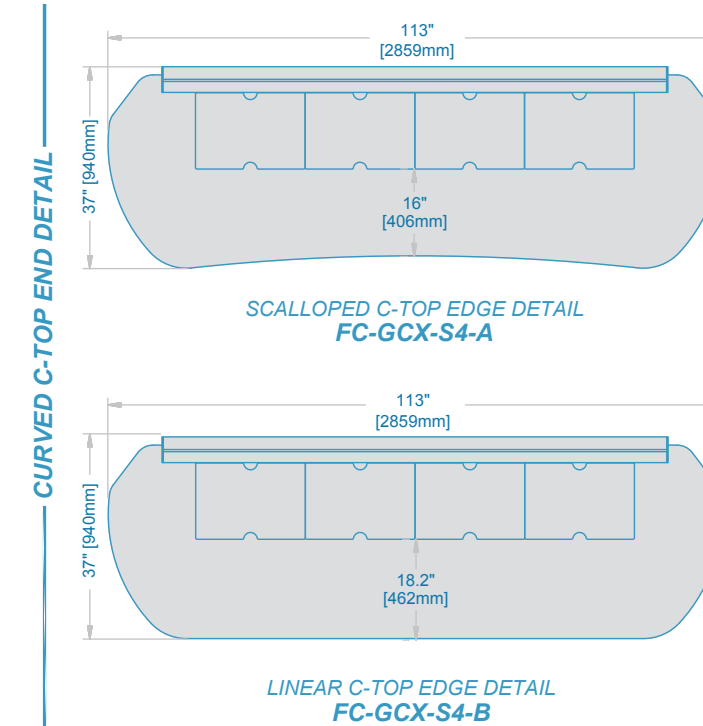
All designs, plans, ideas & specifications in this drawing remain the entire property of Forecast Consoles Inc. and may not be reproduced or used in any manner without written consent.

(631) 253-9000 or info@forecast-consoles.com



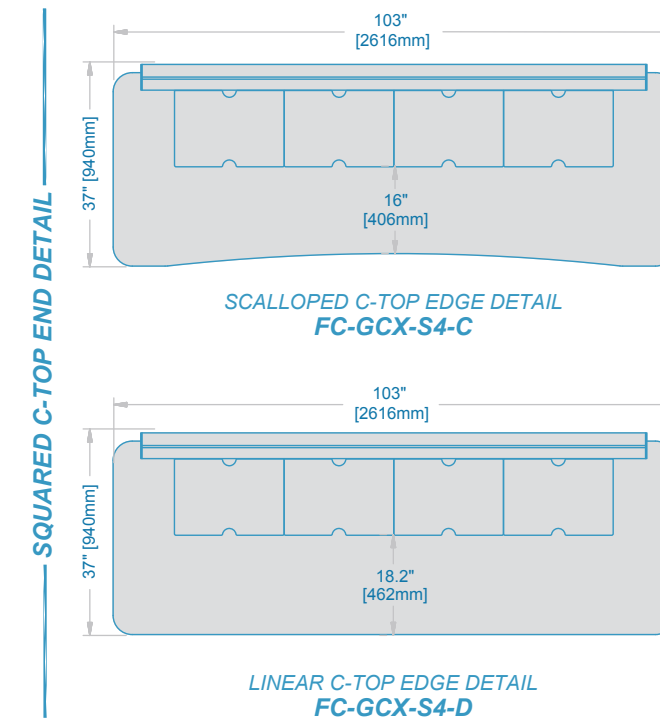
GCX-S Sit-2-Stand™

Electronic Height Adjustment



SCALLOPED C-TOP EDGE DETAIL
FC-GCX-S4-A

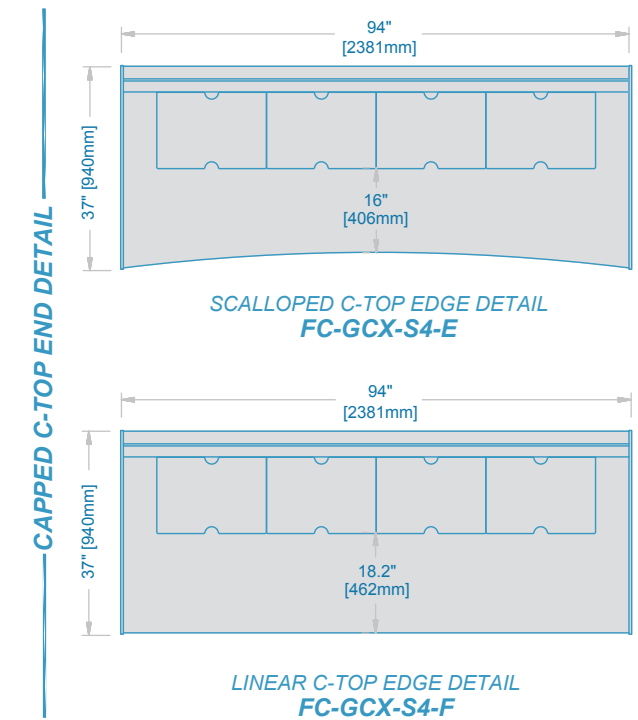
LINEAR C-TOP EDGE DETAIL
FC-GCX-S4-B



SCALLOPED C-TOP EDGE DETAIL
FC-GCX-S4-C

LINEAR C-TOP EDGE DETAIL
FC-GCX-S4-D

| FC-GCX-S4 | | | |
|------------------------------|-------------------------------|---------|--------|
| | COUNTERTOP END DETAIL | | |
| | CURVED | SQUARED | CAPPED |
| WIDTH | 113" | 103" | 94" |
| DEPTH | 37" | | |
| MAX RU's | 20RU (4x5RU) | | |
| NUMBER OF OPERATORS | 1 or 2 | | |
| C-TOP DEPTH (Turret To Edge) | Scalloped 16" Linear 18.2" | | |



SCALLOPED C-TOP EDGE DETAIL
FC-GCX-S4-E

LINEAR C-TOP EDGE DETAIL
FC-GCX-S4-F

(631) 253-9000 or info@forecast-consoles.com

All designs, plans, ideas & specifications in this drawing remain the entire property of Forecast Consoles Inc. and may not be reproduced or used in any manner without written consent.

GCX-W Workstation™

Individual Workstations



GCX-W

- Stationary console available in 1, 2 and 3 bay wide X-Chassis
- Legs have removable panels to access cables from X-Chassis to floor
- Lift-off, removable, vented turrets and filler panels available



MODEL SHOWN:
FC-GCX-W3-A

(631) 253-9000 or info@forecast-consoles.com

All designs, plans, ideas & specifications in this drawing remain the entire property of Forecast Consoles Inc. and may not be reproduced or used in any manner without written consent.

GCX-W Workstation™

Individual Workstations



GCX-W1

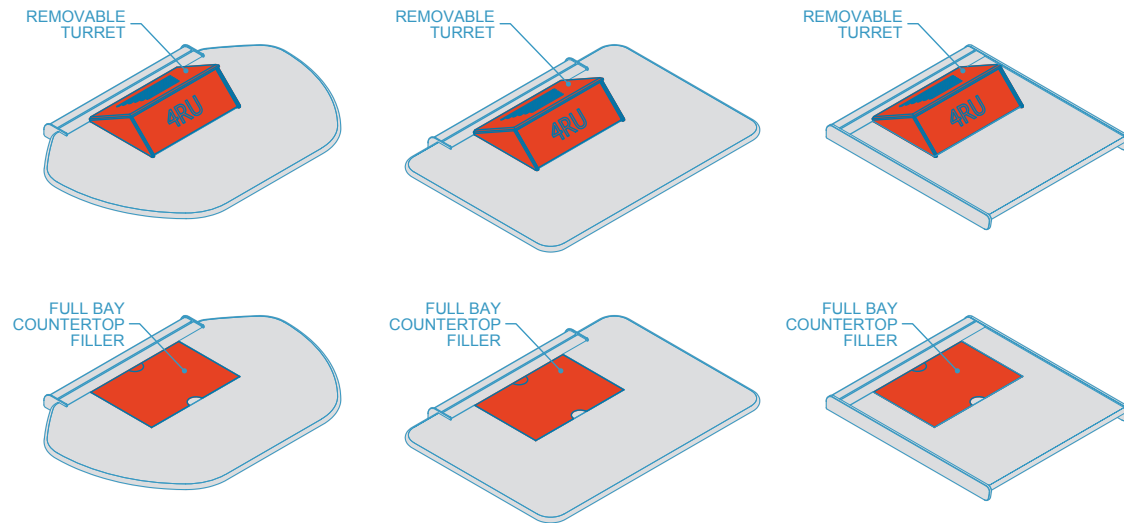


1 BAY FRONT VIEW

1 BAY REAR VIEW

Turret and Filler Configurations

All turrets and countertop filler panels are individually removable and reconfigurable. Allowing you the most flexibility.

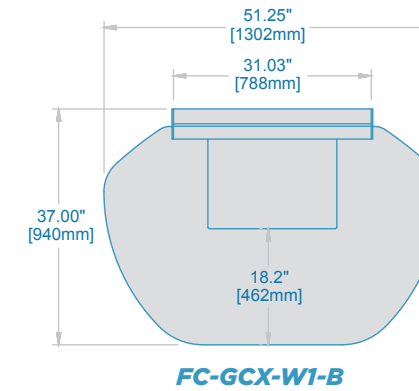


GCX-W Workstation™

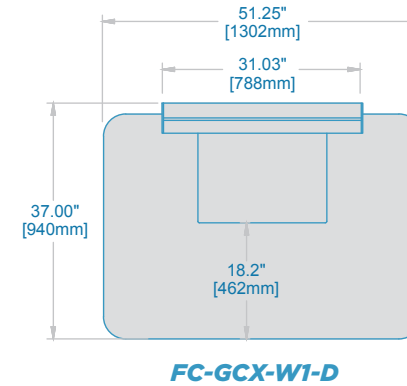
Individual Workstations



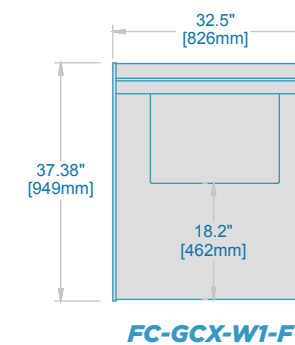
CURVED C-TOP END DETAIL



SQUARED C-TOP END DETAIL



CAPPED C-TOP END DETAIL



| FC-GCX-W1 | | | |
|------------------------------|-----------------------------------|---------|--------|
| | COUNTERTOP END DETAIL | | |
| | CURVED | SQUARED | CAPPED |
| WIDTH | 52.81" | 49.84" | 32.03" |
| DEPTH | 37" | | |
| MAX RU's | 10RU (1x5RU) | | |
| NUMBER OF OPERATORS | 1 | | |
| C-TOP DEPTH (Turret To Edge) | Scalloped 15.50" Linear 17.72" | | |

GCX-W Workstation™

Individual Workstations



GCX-W2



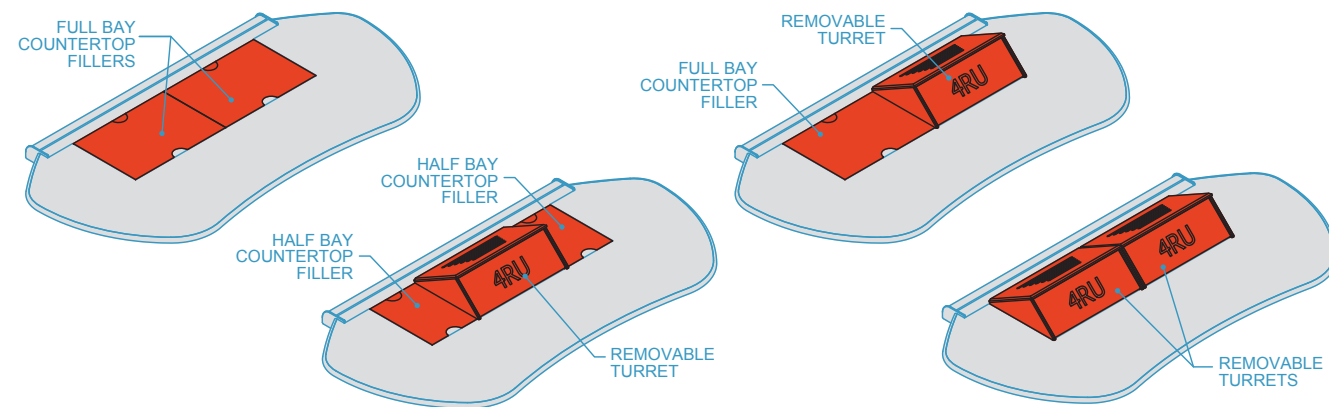
2 BAY
FRONT VIEW



2 BAY
REAR VIEW

Turret and Filler Configurations

All turrets and countertop filler panels are individually removable and reconfigurable. Allowing you the most flexibility.

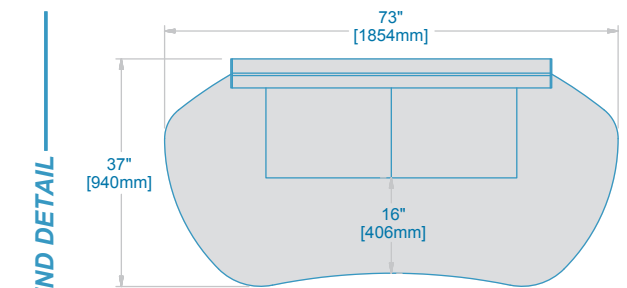


GCX-W Workstation™

Individual Workstations

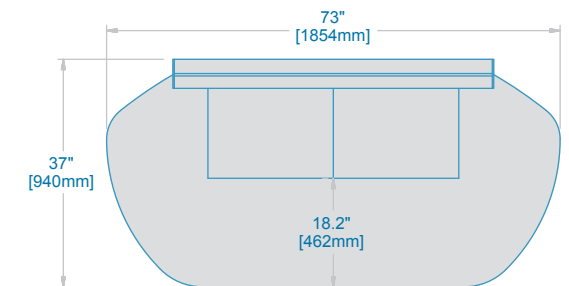


| FC-GCX-W2 | | | |
|------------------------------|-----------------------------------|---------|--------|
| | COUNTERTOP END DETAIL | | |
| | CURVED | SQUARED | CAPPED |
| WIDTH | 73" | 70" | 52" |
| DEPTH | 37" | | |
| MAX RU's | 10RU (2x5RU) | | |
| NUMBER OF OPERATORS | 1 | | |
| C-TOP DEPTH (Turret To Edge) | Scalloped 15.50" Linear 17.66" | | |



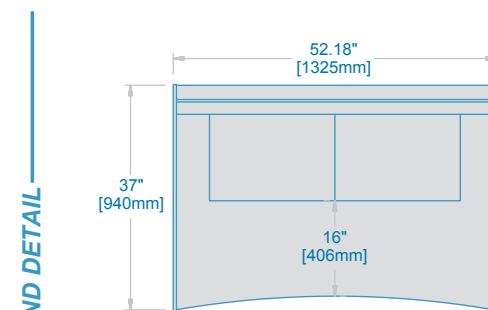
SCALLOPED C-TOP EDGE DETAIL

FC-GCX-W2-A



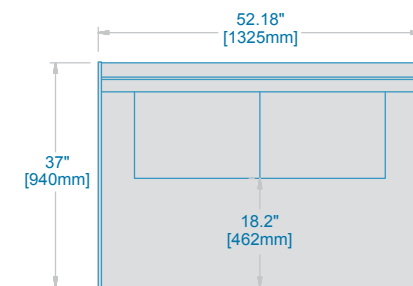
LINEAR C-TOP EDGE DETAIL

FC-GCX-W2-B



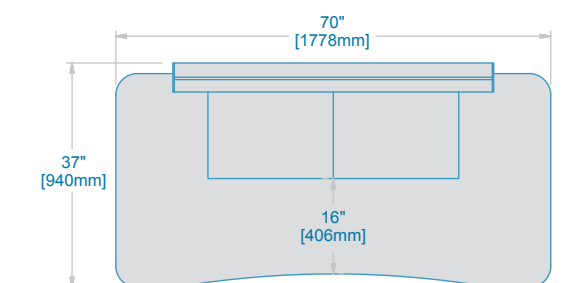
SCALLOPED C-TOP EDGE DETAIL

FC-GCX-W2-E



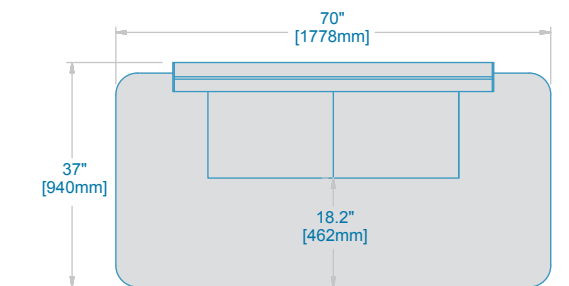
LINEAR C-TOP EDGE DETAIL

FC-GCX-W2-F



SCALLOPED C-TOP EDGE DETAIL

FC-GCX-W2-C



LINEAR C-TOP EDGE DETAIL

FC-GCX-W2-D

GCX-W Workstation™

Individual Workstations



GCX-W3

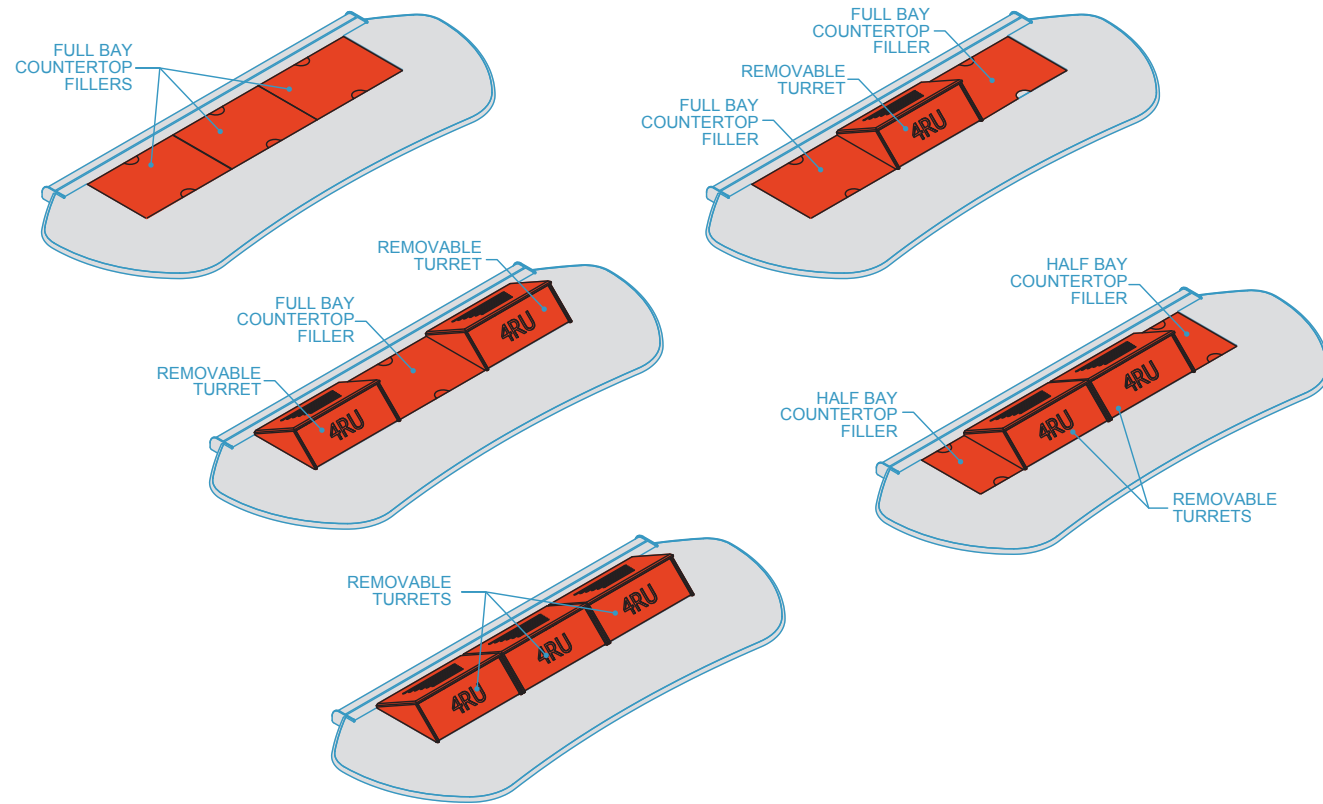


3 BAY
FRONT VIEW

3 BAY
REAR VIEW

Turret and Filler Configurations

All turrets and countertop filler panels are individually removable and reconfigurable. Allowing you the most flexibility.

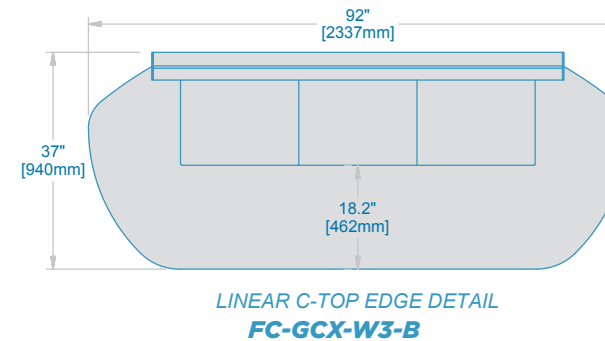
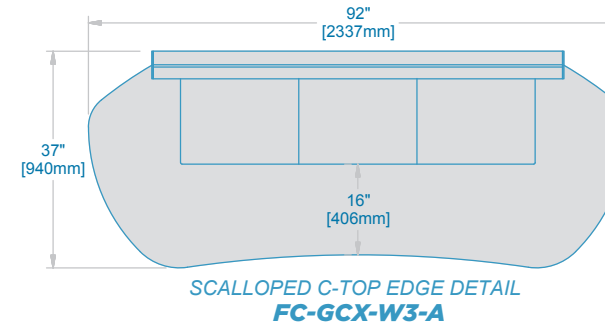


GCX-W Workstation™

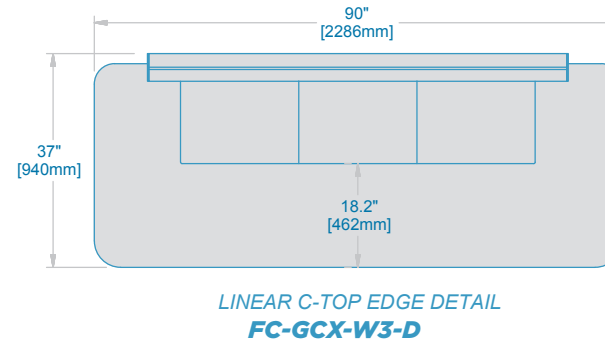
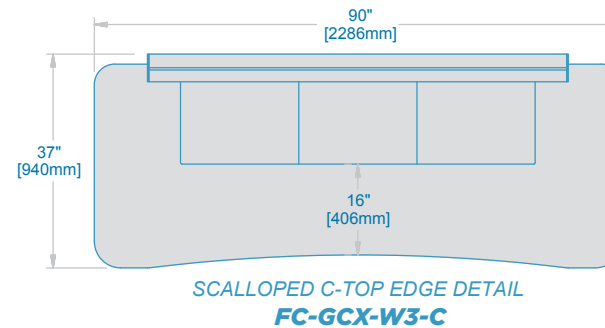
Individual Workstations



CURVED C-TOP END DETAIL

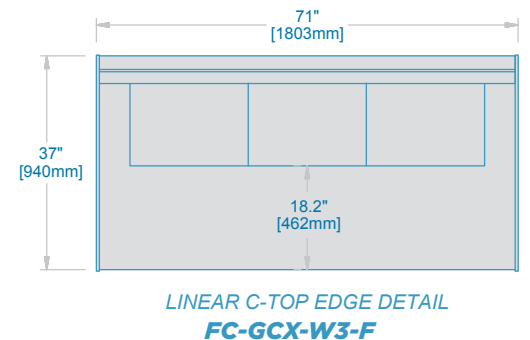
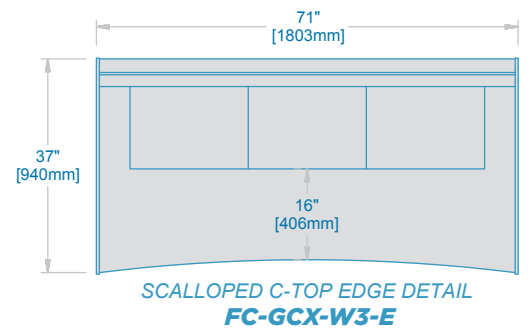


SQUARED C-TOP END DETAIL



| FC-GCX-W3 | | | |
|------------------------------|-----------------------------------|---------|--------|
| | COUNTERTOP END DETAIL | | |
| | CURVED | SQUARED | CAPPED |
| WIDTH | 92" | 90" | 72" |
| DEPTH | 37" | | |
| MAX RU's | 15RU (3x5RU) | | |
| NUMBER OF OPERATORS | 1 | | |
| C-TOP DEPTH (Turret To Edge) | Scalloped 15.50" Linear 17.72" | | |

CAPPED C-TOP END DETAIL



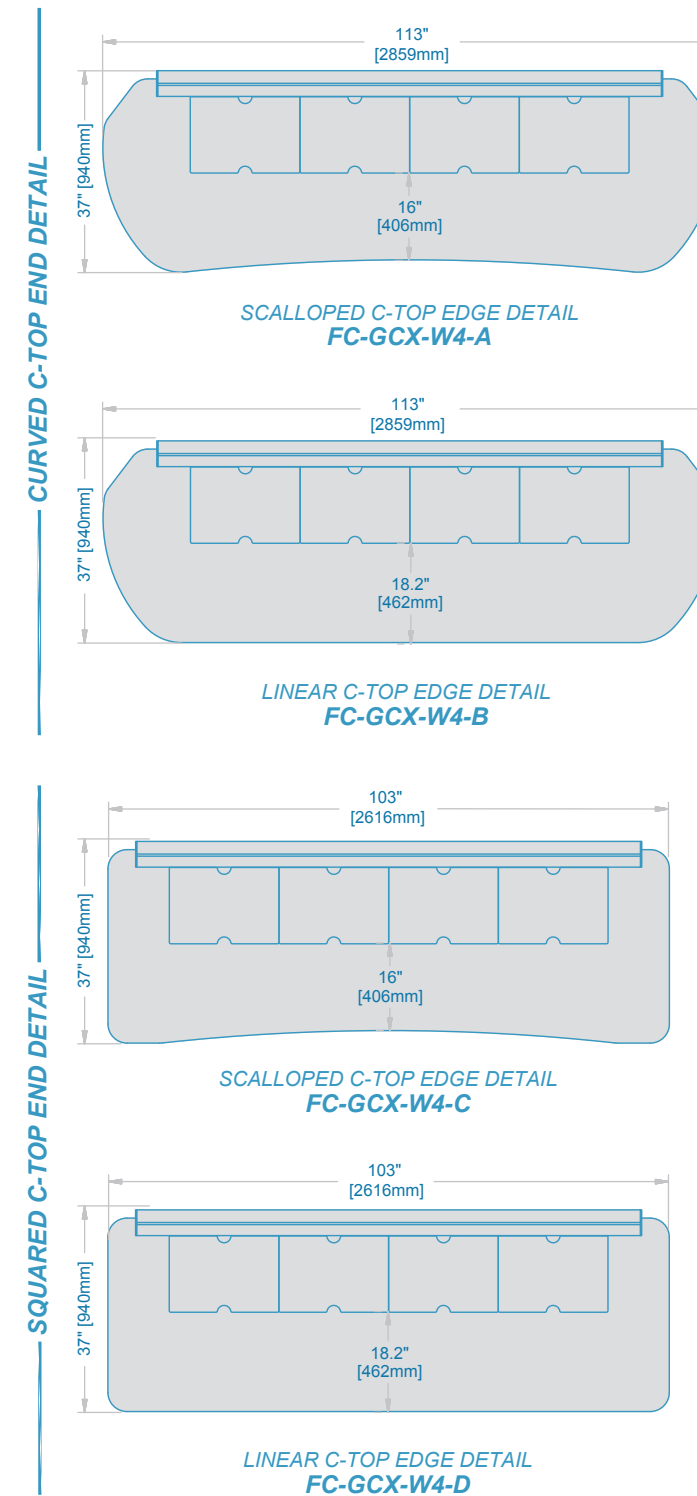
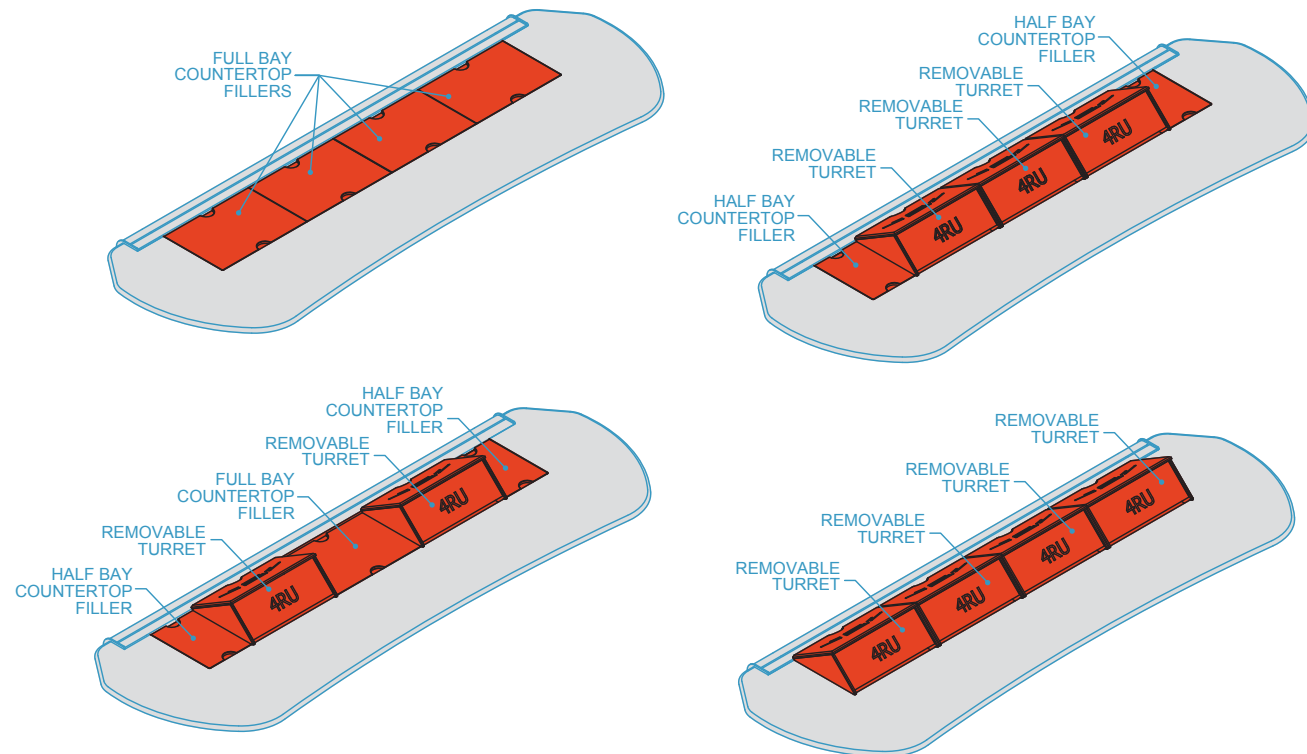


GCX-W4

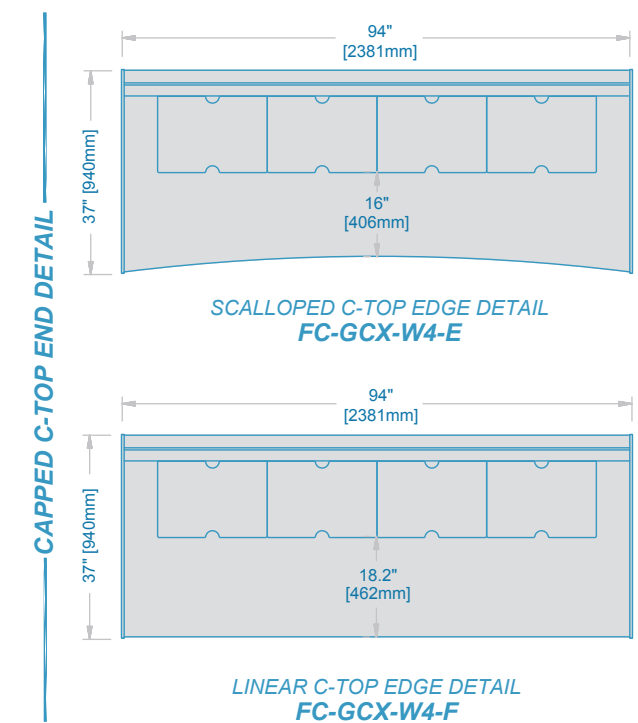


Turret and Filler Configurations

All turrets and countertop filler panels are individually removable and reconfigurable. Allowing you the most flexibility.



| FC-GCX-W4 | | | |
|------------------------------|-------------------------------|---------|--------|
| | COUNTERTOP END DETAIL | | |
| | CURVED | SQUARED | CAPPED |
| WIDTH | 113" | 103" | 94" |
| DEPTH | 37" | | |
| MAX RU's | 20RU (4x5RU) | | |
| NUMBER OF OPERATORS | 1 or 2 | | |
| C-TOP DEPTH (Turret To Edge) | Scalloped 16" Linear 18.2" | | |



GCX-C Continuum™

Expandable and Configurable



GCX-C

- Infinitely expandable and configurable console
- Based on combining 1, 2 and 3 bay wide X-Chassis' to create a fully customized console
- Can be configured in any shape or size to compliment any room

(631) 253-9000 or info@forecast-consoles.com

All designs, plans, ideas & specifications in this drawing remain the entire property of Forecast Consoles Inc. and may not be reproduced or used in any manner without written consent.

GCX-C Continuum™

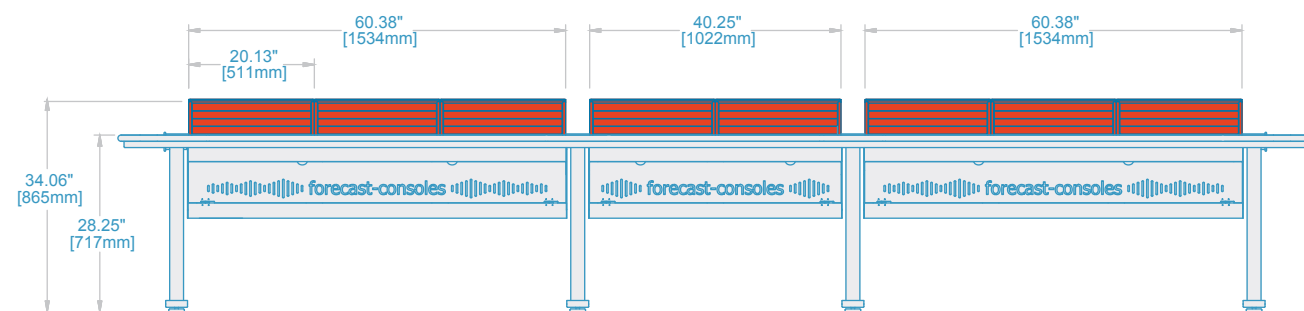
Expandable and Configurable



Continuum is based on combining **1, 2 and 3 bay X-Chassis'** to create a fully customized console



MODEL SHOWN:
FC-GCX-C323



FRONT VIEW

All designs, plans, ideas & specifications in this drawing remain the entire property of Forecast Consoles Inc. and may not be reproduced or used in any manner without written consent.

(631) 253-9000 or info@forecast-consoles.com

GCX-C Continuum™

Expandable and Configurable



Several 1-Bay chassis' combined to form a curved cockpit section.



FRONT VIEW

(631) 253-9000 or info@forecast-consoles.com

All designs, plans, ideas & specifications in this drawing remain the entire property of Forecast Consoles Inc. and may not be reproduced or used in any manner without written consent.

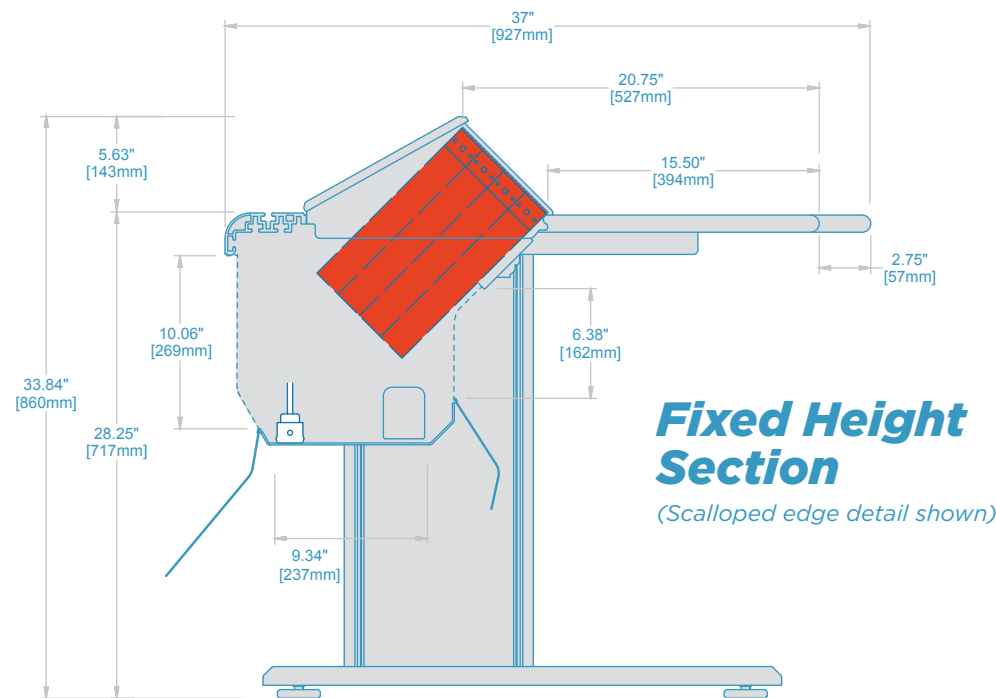
GCX-C Continuum™

Expandable and Configurable

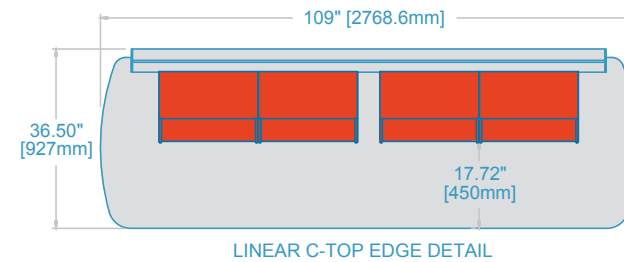
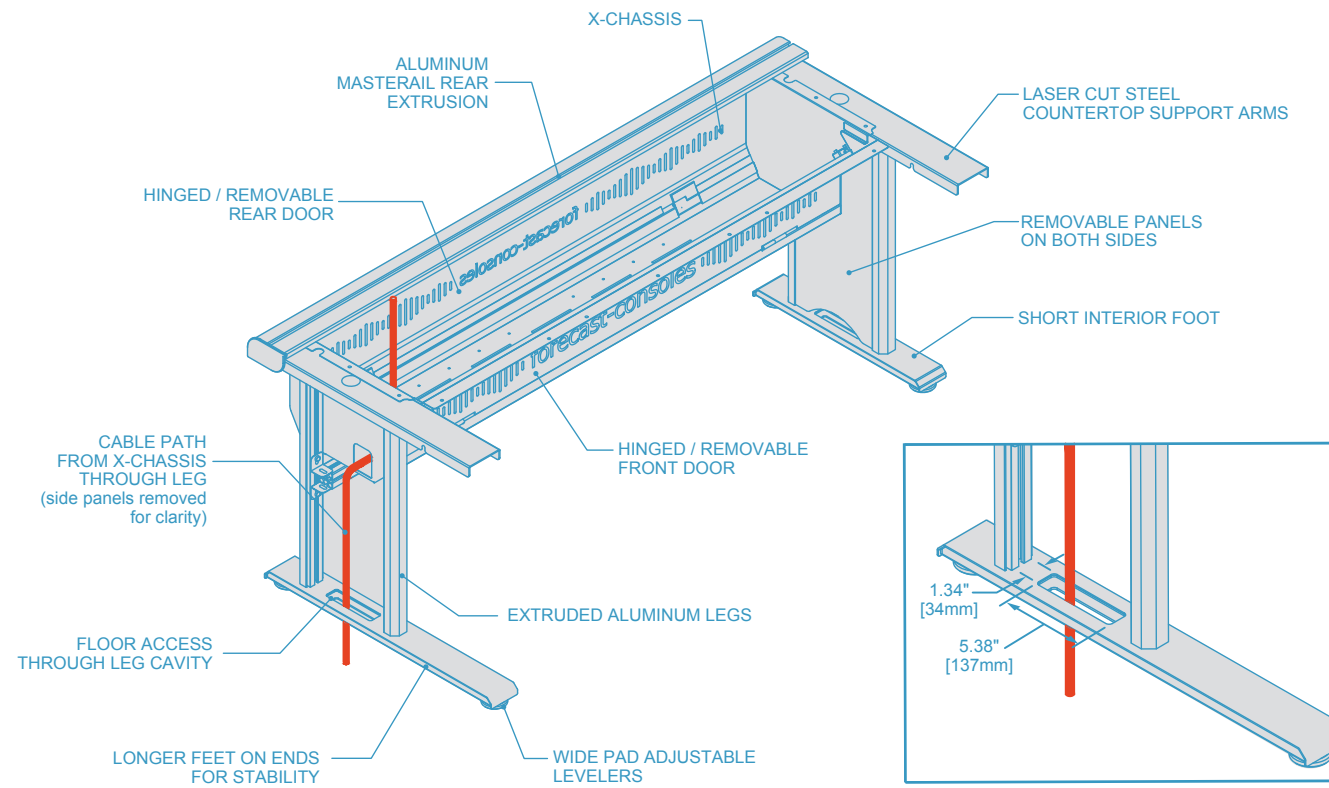


GCX-C Continuum™

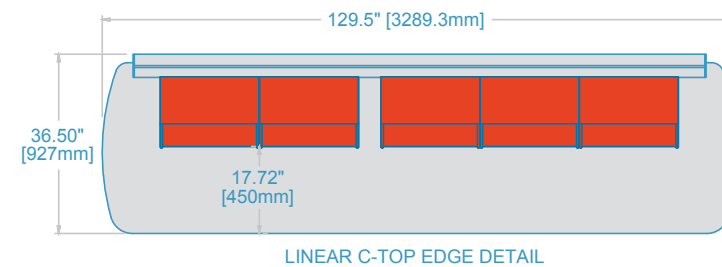
Expandable and Configurable



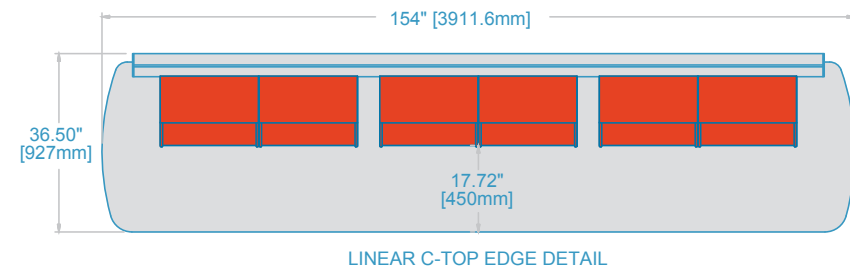
Fixed Height Section
(Scalloped edge detail shown)



FC-GCX-C22



FC-GCX-C23



FC-GCX-C222

| | FC-GCX-C22 | | | FC-GCX-C23 | | | FC-GCX-C222 | | |
|------------------------------|-----------------------------------|---------|--------|-----------------------------------|---------|--------|-----------------------------------|---------|--------|
| | COUNTERTOP END DETAIL | | | COUNTERTOP END DETAIL | | | COUNTERTOP END DETAIL | | |
| | CURVED | SQUARED | CAPPED | CURVED | SQUARED | CAPPED | CURVED | SQUARED | CAPPED |
| WIDTH | 109" | 107" | 97" | 129.5" | 126.5" | 117" | 154" | 151.5" | 142" |
| DEPTH | 36.50" | | | 36.50" | | | 36.50" | | |
| MAX RU's | 20RU (4x5RU) | | | 25RU (5x5RU) | | | 30RU (6x5RU) | | |
| NUMBER OF OPERATORS | 2 | | | 2 | | | 3 | | |
| C-TOP DEPTH (Turret To Edge) | Scalloped 15.50" Linear 17.72" | | | Scalloped 15.50" Linear 17.72" | | | Scalloped 15.50" Linear 17.72" | | |

All designs, plans, ideas & specifications in this drawing remain the entire property of Forecast Consoles Inc. and may not be reproduced or used in any manner without written consent. | (631) 253-9000 or info@forecast-consoles.com

(631) 253-9000 or info@forecast-consoles.com | All designs, plans, ideas & specifications in this drawing remain the entire property of Forecast Consoles Inc. and may not be reproduced or used in any manner without written consent.

GCX-C Continuum™

Expandable and Configurable

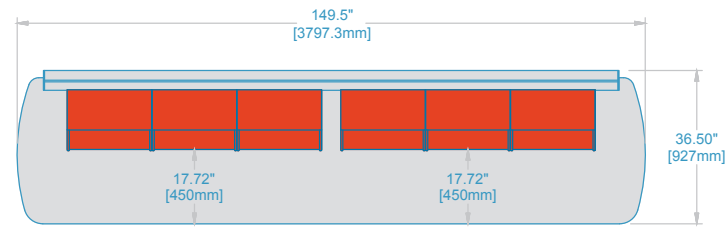


GCX-C Continuum™

Expandable and Configurable

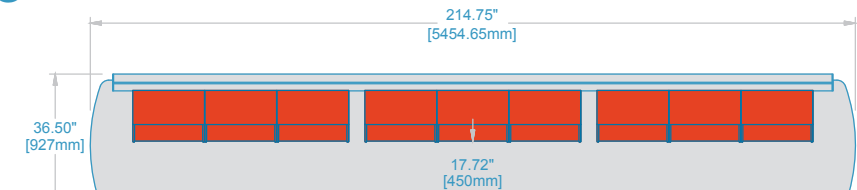


FC-GCX-C33



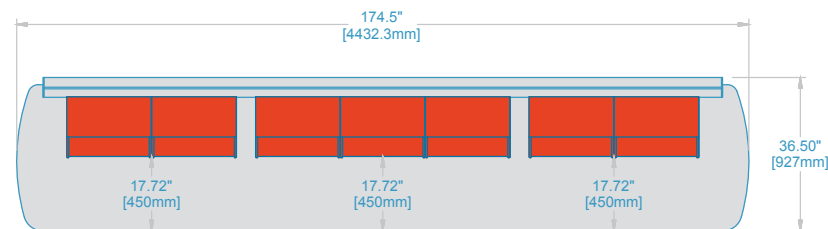
LINEAR C-TOP EDGE DETAIL

FC-GCX-C333



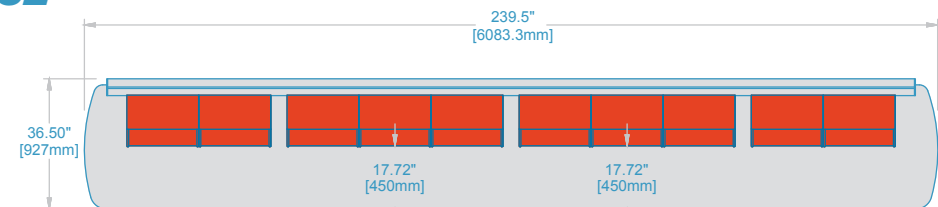
LINEAR C-TOP EDGE DETAIL

FC-GCX-C232



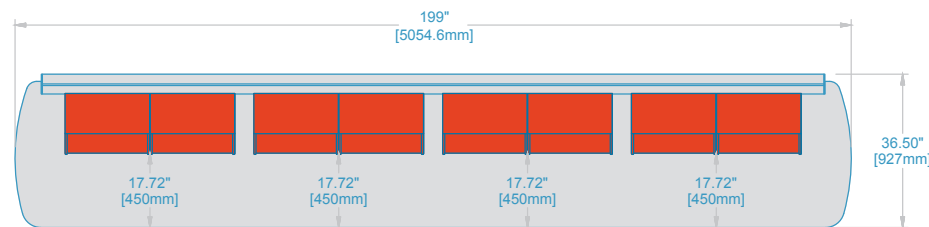
LINEAR C-TOP EDGE DETAIL

FC-GCX-C2332



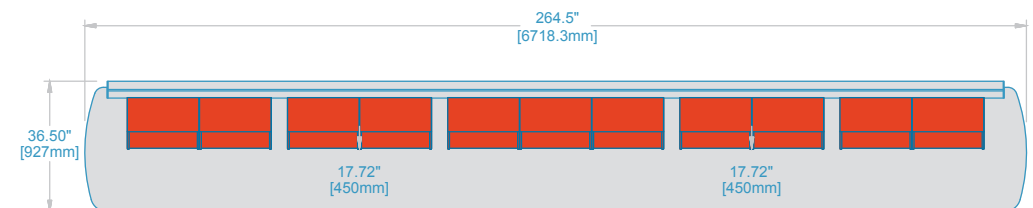
LINEAR C-TOP EDGE DETAIL

FC-GCX-C2222



LINEAR C-TOP EDGE DETAIL

FC-GCX-C22322



LINEAR C-TOP EDGE DETAIL

| | FC-GCX-C33 | | | FC-GCX-C232 | | | FC-GCX-C2222 | | |
|------------------------------|-----------------------------------|---------|--------|-----------------------------------|---------|---------|-----------------------------------|---------|--------|
| | COUNTERTOP END DETAIL | | | COUNTERTOP END DETAIL | | | COUNTERTOP END DETAIL | | |
| | CURVED | SQUARED | CAPPED | CURVED | SQUARED | CAPPED | CURVED | SQUARED | CAPPED |
| WIDTH | 149.5" | 147" | 137.5" | 174.5" | 171.75" | 162.25" | 199" | 196.5" | 187" |
| DEPTH | 36.50" | | | 36.50" | | | 36.50" | | |
| MAX RU's | 30RU (6x5RU) | | | 35RU (7x5RU) | | | 40RU (8x5RU) | | |
| NUMBER OF OPERATORS | 2-3 | | | 3 - 5 | | | 4 - 6 | | |
| C-TOP DEPTH (Turret To Edge) | Scalloped 15.50" Linear 17.72" | | | Scalloped 15.50" Linear 17.72" | | | Scalloped 15.50" Linear 17.72" | | |

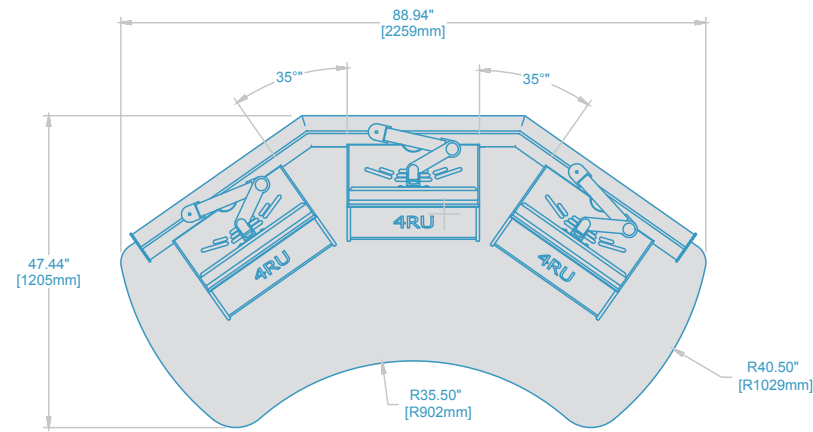
| | FC-GCX-C333 | | | FC-GCX-C2332 | | | FC-GCX-C22322 | | |
|------------------------------|-----------------------------------|---------|--------|-----------------------------------|---------|--------|-----------------------------------|---------|--------|
| | COUNTERTOP END DETAIL | | | COUNTERTOP END DETAIL | | | COUNTERTOP END DETAIL | | |
| | CURVED | SQUARED | CAPPED | CURVED | SQUARED | CAPPED | CURVED | SQUARED | CAPPED |
| WIDTH | 214.75" | 212" | 202.5" | 239.5" | 237" | 227.5" | 264.5" | 261.75" | 252" |
| DEPTH | 36.50" | | | 36.50" | | | 36.50" | | |
| MAX RU's | 45RU (9x5RU) | | | 50RU (10x5RU) | | | 55RU (11x5RU) | | |
| NUMBER OF OPERATORS | 3 - 4 | | | 4 - 5 | | | 5 - 6 | | |
| C-TOP DEPTH (Turret To Edge) | Scalloped 15.50" Linear 17.72" | | | Scalloped 15.50" Linear 17.72" | | | Scalloped 15.50" Linear 17.72" | | |

All designs, plans, ideas & specifications in this drawing remain the entire property of Forecast Consoles Inc. and may not be reproduced or used in any manner without written consent. | (631) 253-9000 or info@forecast-consoles.com

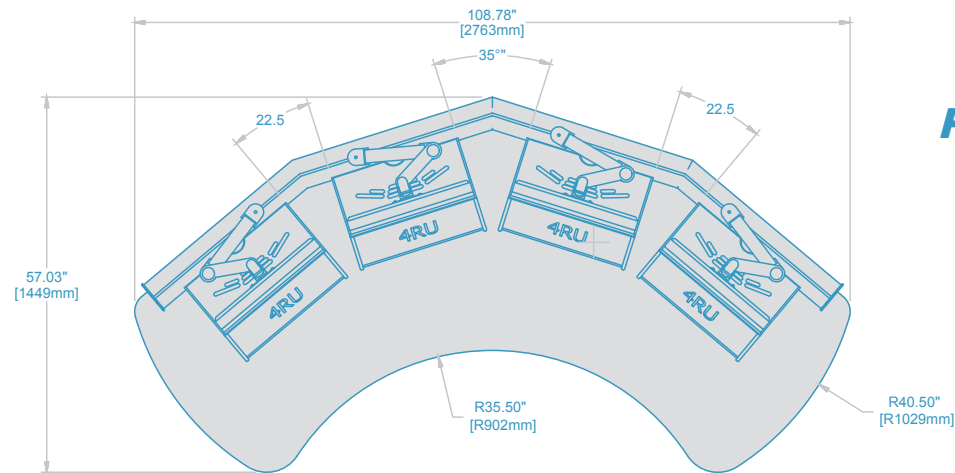
(631) 253-9000 or info@forecast-consoles.com | All designs, plans, ideas & specifications in this drawing remain the entire property of Forecast Consoles Inc. and may not be reproduced or used in any manner without written consent.

GCX-C Continuum™

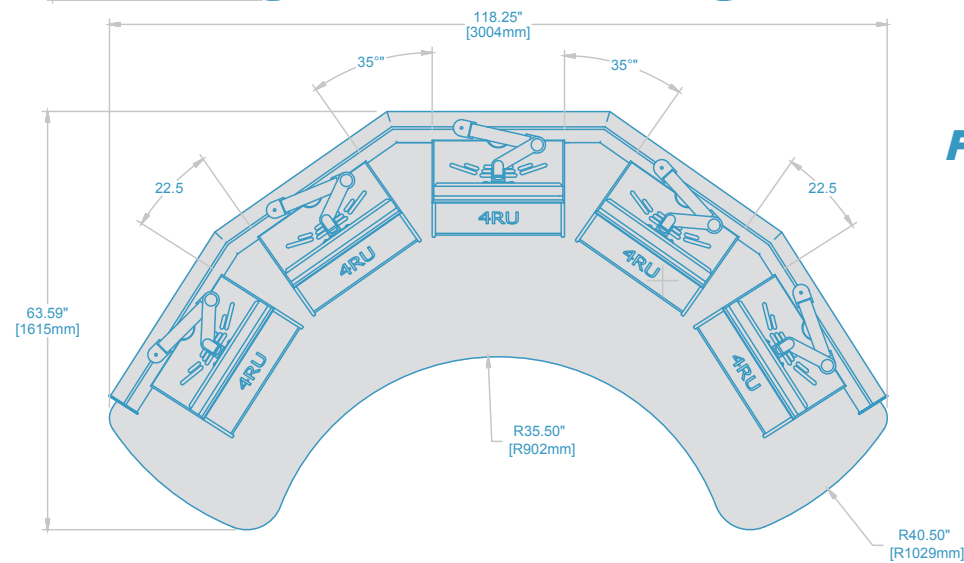
Expandable and Configurable



FC-GCX-C13



FC-GCX-C14

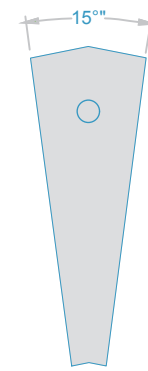


FC-GCX-C15

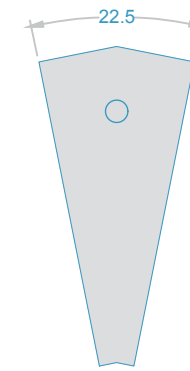
All designs, plans, ideas & specifications in this drawing remain the entire property of Forecast Consoles Inc. and may not be reproduced or used in any manner without written consent. | (631) 253-9000 or info@forecast-consoles.com

GCX-C Continuum™

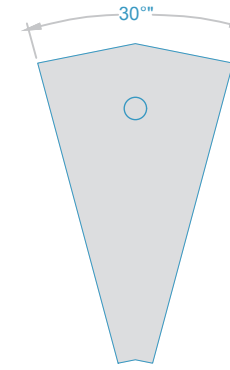
Expandable and Configurable



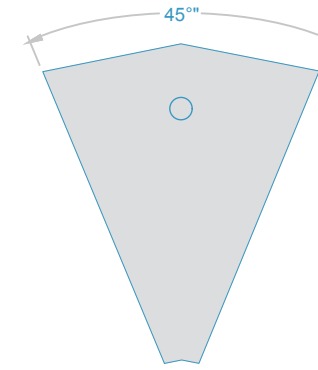
FC-GCX-TR-15
(15° transition angle)



FC-GCX-TR-22.5
(22.5° transition angle)

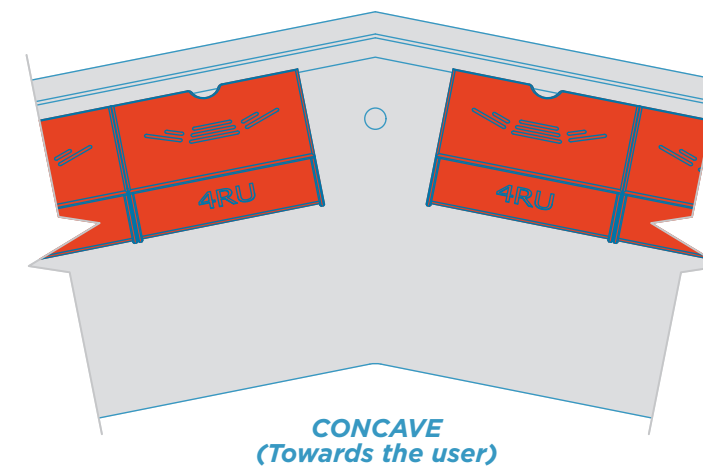
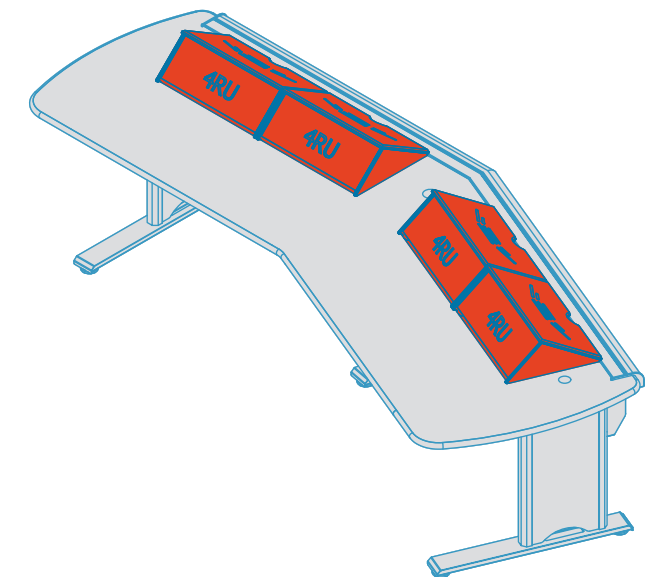


FC-GCX-TR-30
(30° transition angle)

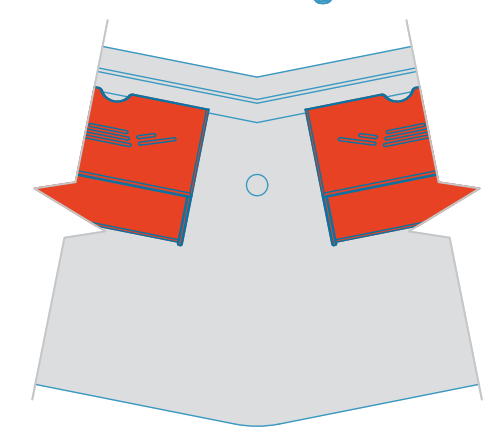


FC-GCX-TR-45
(45° transition angle)

Transitions offered in four angles to build concave or convex curves



CONCAVE
(Towards the user)



CONVEX
(Away from user)

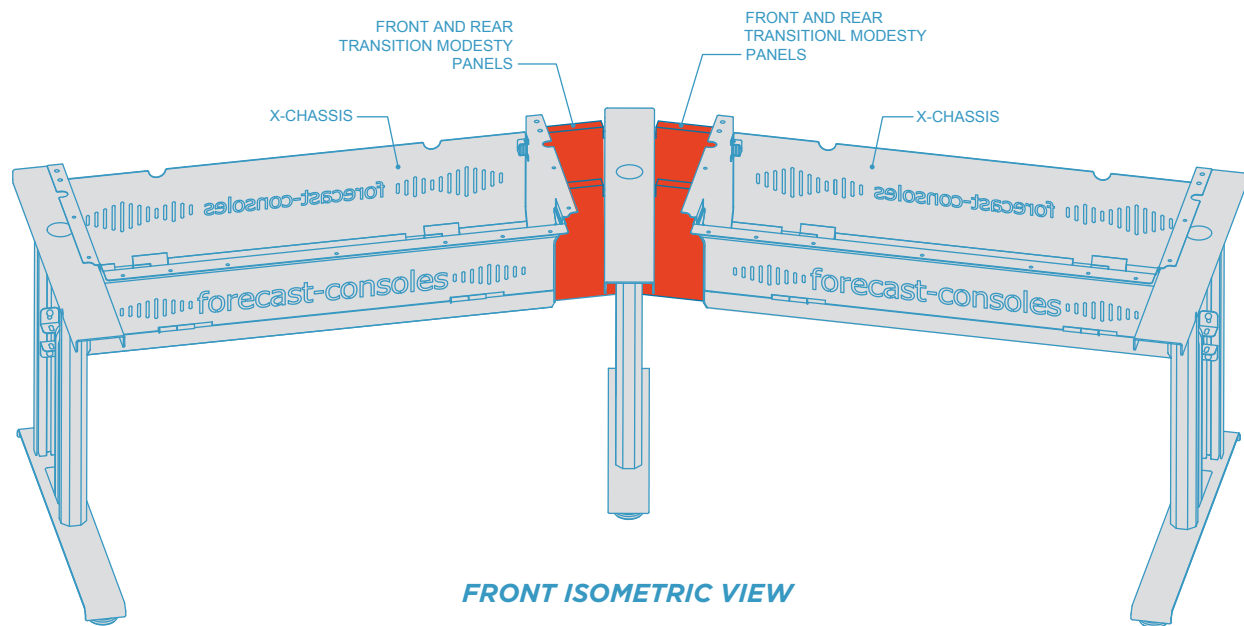
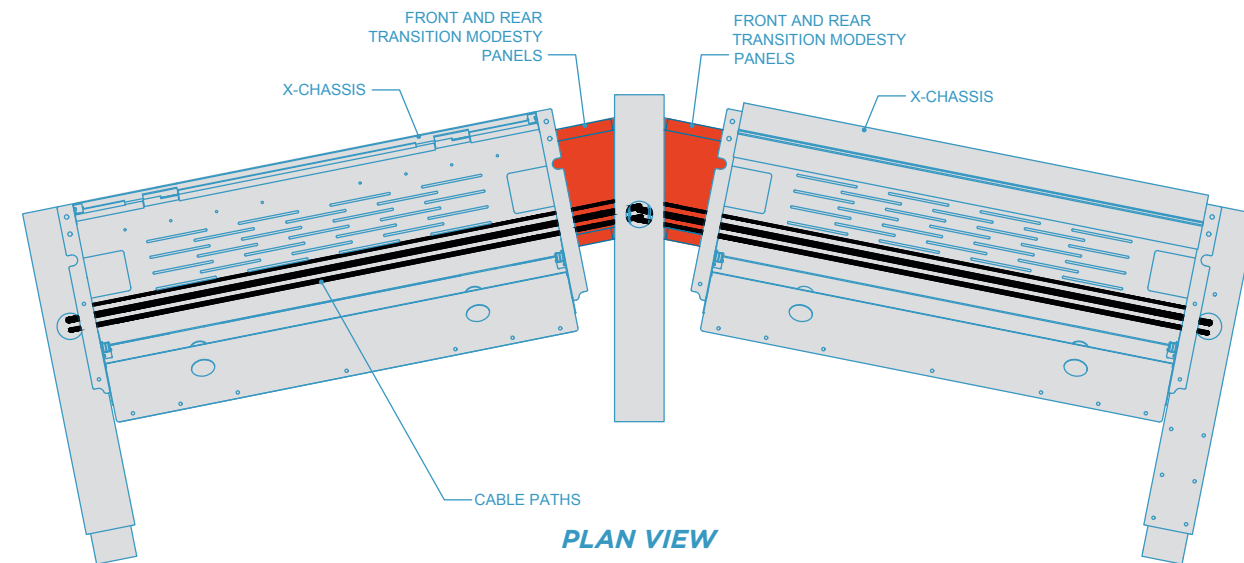
(631) 253-9000 or info@forecast-consoles.com | All designs, plans, ideas & specifications in this drawing remain the entire property of Forecast Consoles Inc. and may not be reproduced or used in any manner without written consent.

GCX-C Continuum™

Expandable and Configurable



Removable modesty panels hide cables between transitions



All designs, plans, ideas & specifications in this drawing remain the entire property of Forecast Consoles Inc. and may not be reproduced or used in any manner without written consent.

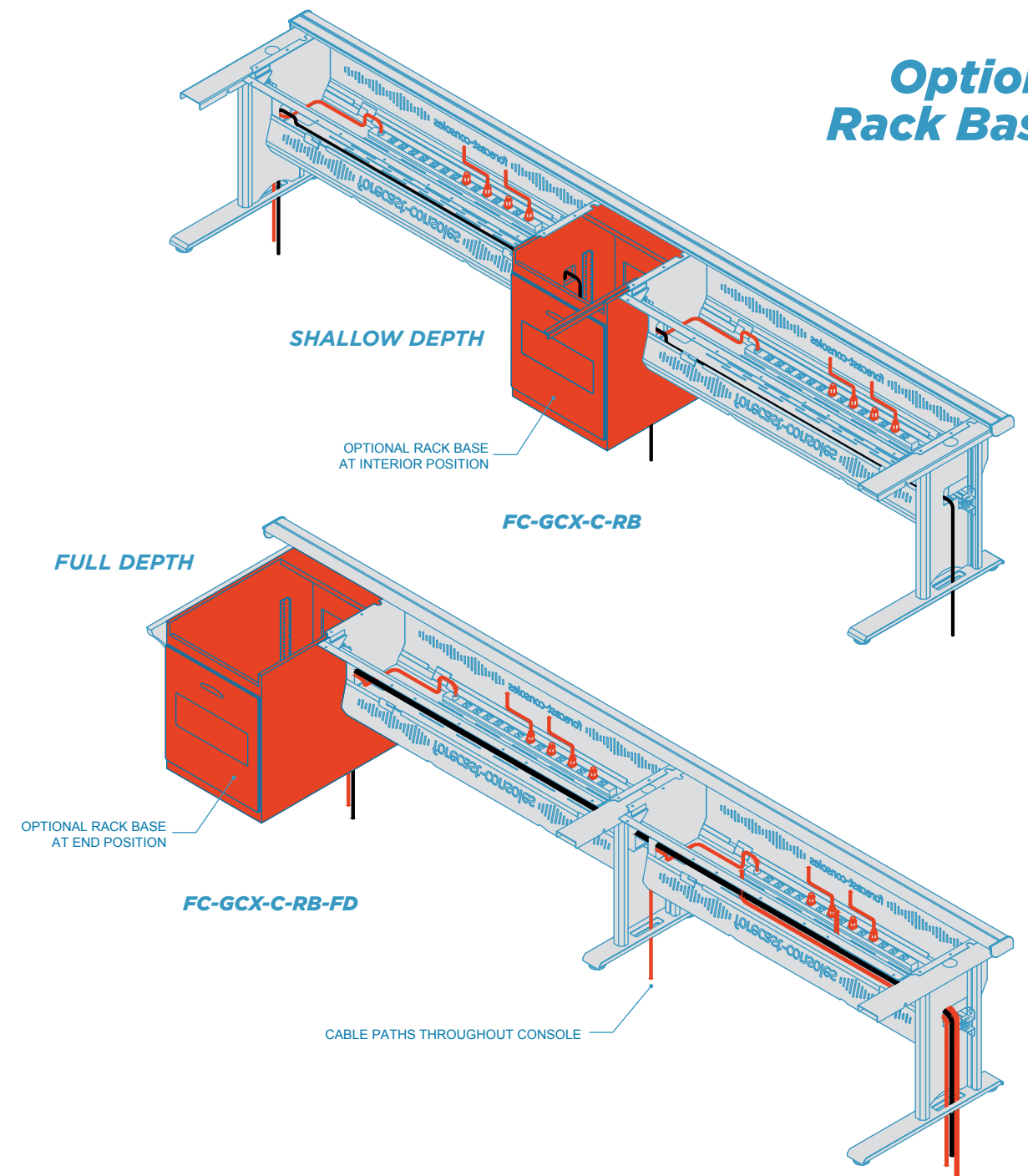
(631) 253-9000 or info@forecast-consoles.com

GCX-C Continuum™

Expandable and Configurable



Optional Rack Bases



(631) 253-9000 or info@forecast-consoles.com

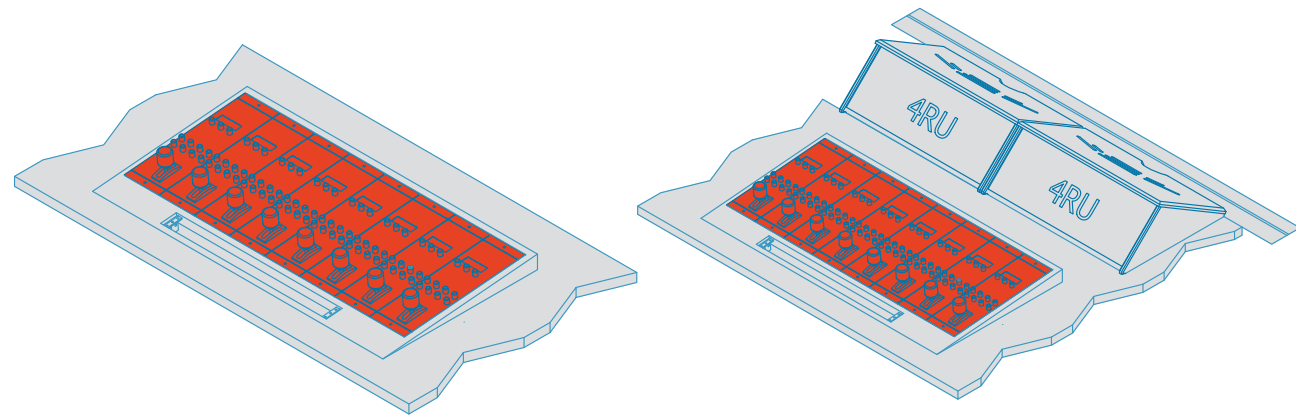
All designs, plans, ideas & specifications in this drawing remain the entire property of Forecast Consoles Inc. and may not be reproduced or used in any manner without written consent.

GCX-C Continuum™

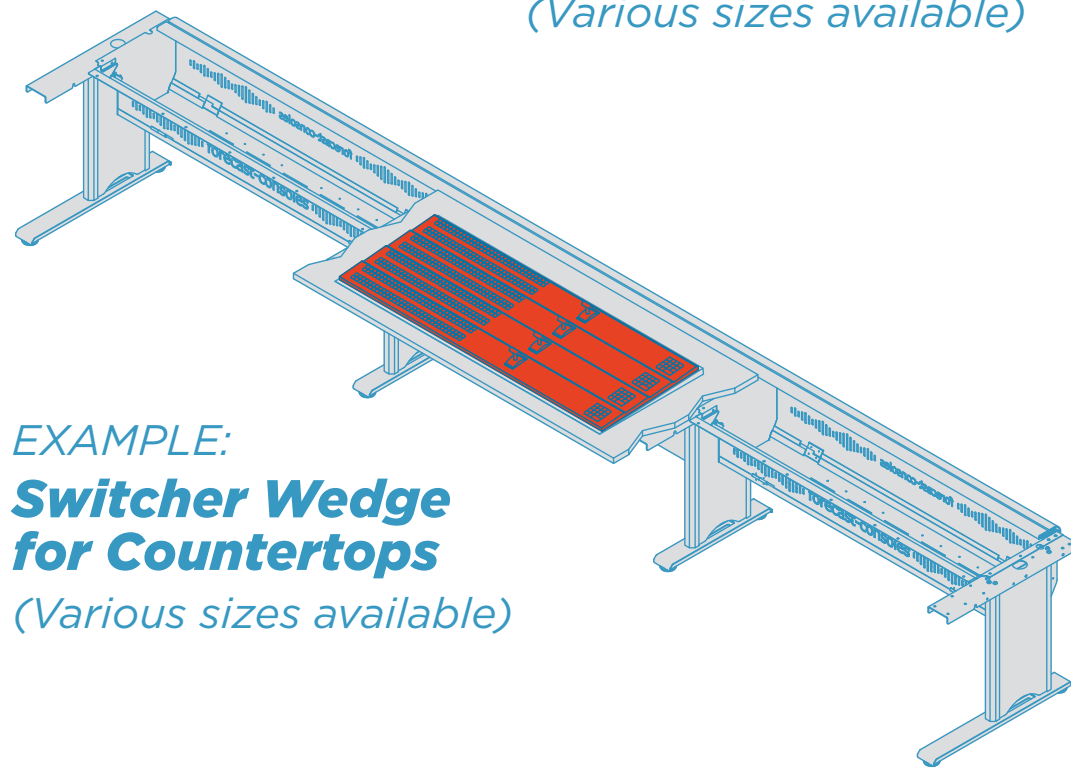
Expandable and Configurable



OPTIONAL EQUIPMENT WEDGES



EXAMPLE:
RCP Wedge for Countertops
(Various sizes available)



EXAMPLE:
Switcher Wedge for Countertops
(Various sizes available)

GCX-C Continuum™

Expandable and Configurable



MONITOR
POST MOUNT ARM



FC-PA-14-S
(30lb Weight Capacity)

DUAL MONITOR
POST MOUNT ARM



FC-PA-28-D
(40lb Weight Capacity)

FULLY ARTICULATING
MONITOR ARM



FC-AA-0313
(3-13lb Weight Capacity)
FC-AA-0825
(8-25lb Weight Capacity)
FC-AA-1331
(13-31lb Weight Capacity)

POST MOUNT
SPEAKER PLATFORM



FC-PA-14 SPEAKER
14" Post (20lb Weight Capacity)
FC-PA-28 SPEAKER
28" Post (20lb Weight Capacity)

MasteRail™ Universal Mounting System*

Aluminum Extrusion has a channel used to mount a variety of accessories giving you maximum flexibility. (Mounts and accessories sold separately.)

*Available in all GCX models



ARTICULATING
TELEPHONE
POST MOUNT



FC-PA-14-PHONE

GOOSENECK
TASK LIGHT

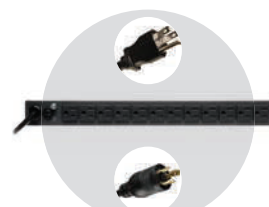


FC-AC-GOOSENECK LT

Power Distribution Options

Rack Mount Power Distribution Units can be mounted in different locations depending on your wiring requirements.

RACK MOUNT (12)
OUTLET POWER STRIP



FC-RS1215 (15 Amp)
FC-RS1220 (20 Amp)

FORECAST 1RU
POWER DATA UNIT



FC-PDM-1

24" (8) OUTLET
POWER STRIP



FC-PS0815

36" (14) OUTLET
POWER STRIP



FC-PS1415 (15 Amp)
FC-PS1420 (20 Amp)



MasterVision™
 Low-Profile Production &
 Monitoring Console System



Sightline™
 Configurable Monitor
 Wall System



GCX-Chassis™
 Modular Desk System for
 One or More Operators

For more information: **(800) 735-2070** or **info@forecast-consoles.com**

All designs, plans, ideas & specifications in this drawing remain the entire property of Forecast Consoles Inc. and may not be reproduced or used in any manner without written consent.

**Prices upon request*