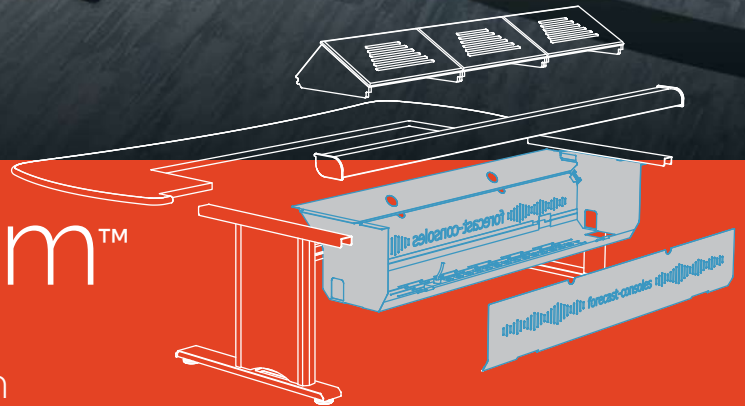




*The infinitely accessible, light weight and affordable console solution*

# GCX Continuum™

Total Access, Affordable  
**X-Chassis** Based Console System



*Expandable and Configurable*



# GCX product line options:

# W

**Workstation**  
Individual  
Console



## GCX-W

- Stationary console available in 1, 2 and 3 bay wide X-Chassis
- Legs have removable panels to access cables from X-Chassis to floor
- Lift-off, removable, vented turrets and filler panels available

# S

**Sit-2-Stand**  
Electronic Height  
Adjustable



## GCX-S

- Countertop height fully adjustable from 25" to 50"
- Motorized legs have a 500 lb. lift capacity
- Flexible and protective cable management
- Console available in 1, 2 and 3 bay wide X-Chassis
- Electronic handset switch has 3-programmable height settings

# C

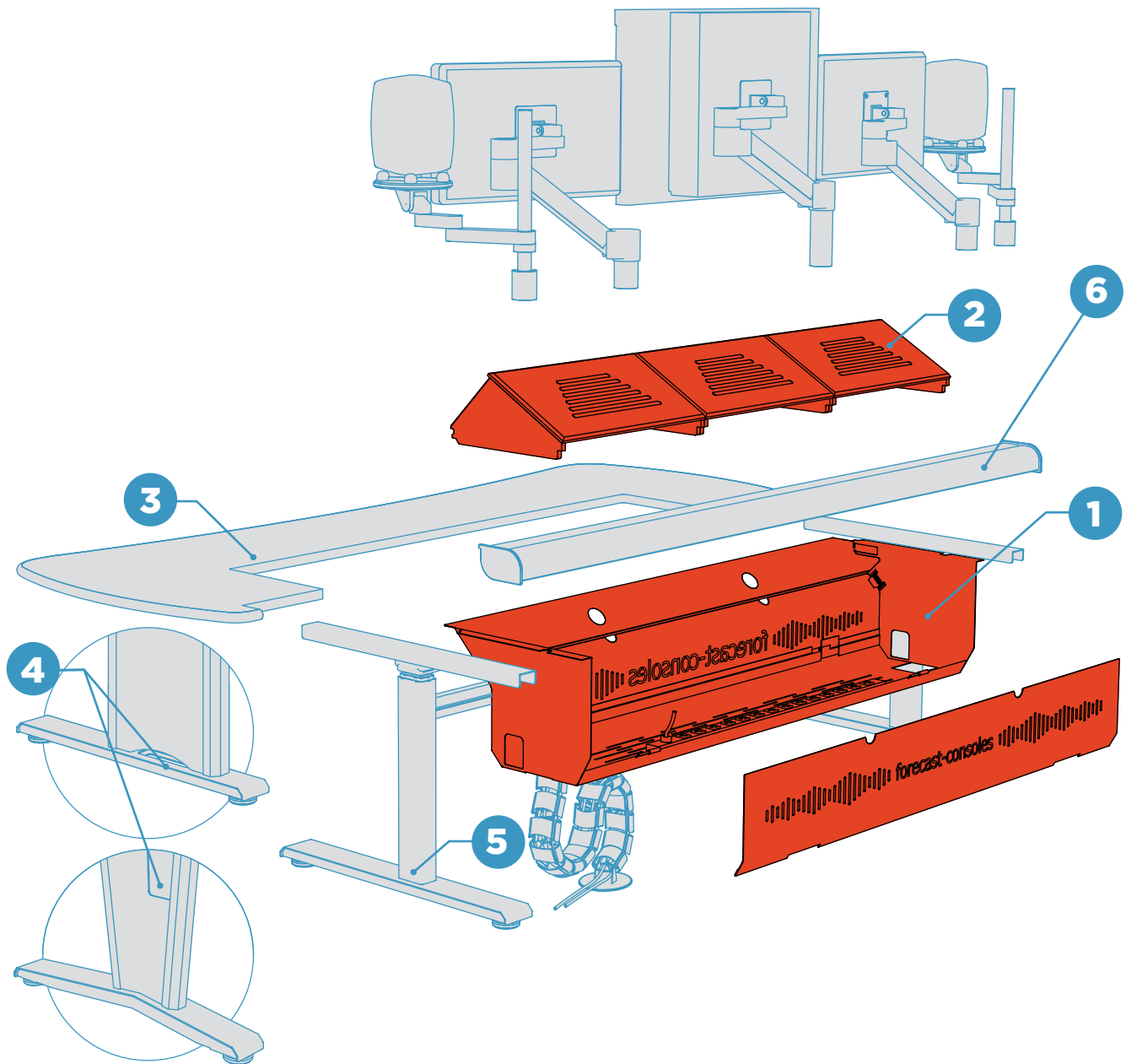
**Continuum**  
Expandable and  
Configurable



## GCX-C

- Infinitely expandable and configurable console
- Based on combining 1, 2 and 3 bay wide X-Chassis to create a fully customized console
- Can be configured in any shape to compliment any size room

# The anatomy of a GCX:



- 1 Lightweight steel **X-Chassis** with removable hinged doors. Available in 1, 2 and 3 bay widths.
- 2 Vented and lift-off **removable turrets** are available in 2, 3, 4 & 5 rack units (Can be combined with 1 and 1/2 bay countertop fillers).
- 3 Available in multiple **countertop** sizes, styles and finishes.

- 4 Stationary legs for **Continuum** (GCX-C) & **Workstation** (GCX-W). Legs have removable panels to easily route cables to the floor.
- 5 **Sit-2-Stand** console (GCX-S) uses electronically controlled height adjustable legs. Adjusts from approximately 25" to 50" at countertop height.
- 6 **Rear Rail** for accessory mounting.

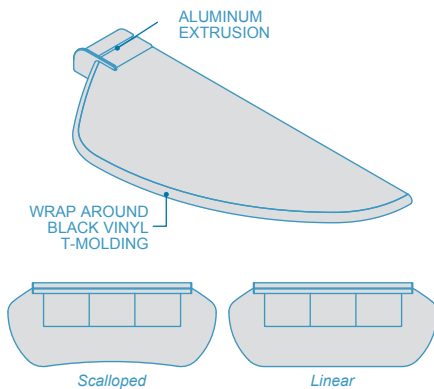
# The look of your GCX:

## Give your consoles their own look

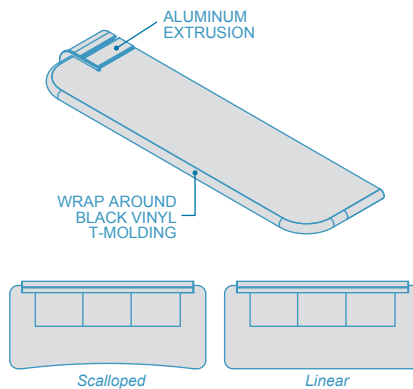
### COUNTLESS COUNTERTOP VARIATIONS

Various countertop shapes, end details, materials and colors allow you to create the perfect console for your needs.

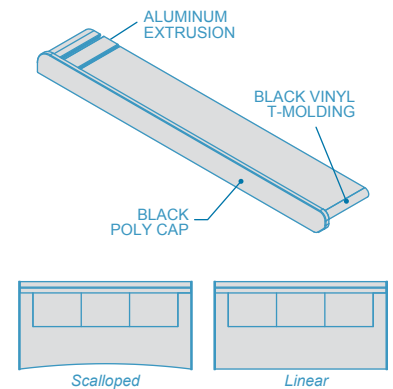
#### CURVED COUNTERTOP



#### SQUARED COUNTERTOP



#### CAPPED COUNTERTOP



LAMINATE OR LINOLEUM WITH T-MOLDING



SOLID SURFACE

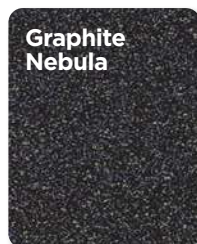


ACRYLIC



LAMINATE W/ COMFORT EDGE

## Standard Laminates



## A leg to stand on

### LEG OPTIONS

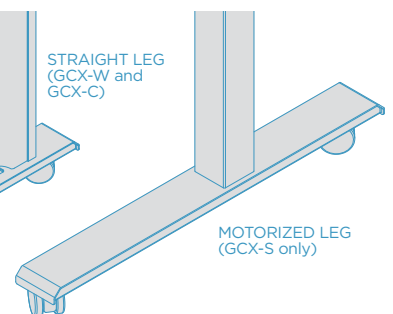
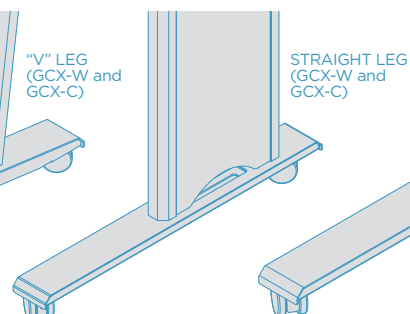
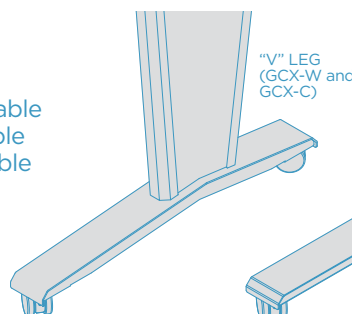
Console leg comes standard with adjustable height floor levelers. Combination lockable front & free-wheel rear casters are available as an upgrade.



LEVELER OPTION



CASTER OPTION



# GCX-C Continuum™

Expandable and Configurable



## GCX-C

- Infinitely expandable and configurable console
- Based on combining 1, 2 and 3 bay wide X-Chassis' to create a fully customized console
- Can be configured in any shape or size to compliment any room

# GCX-C Continuum™

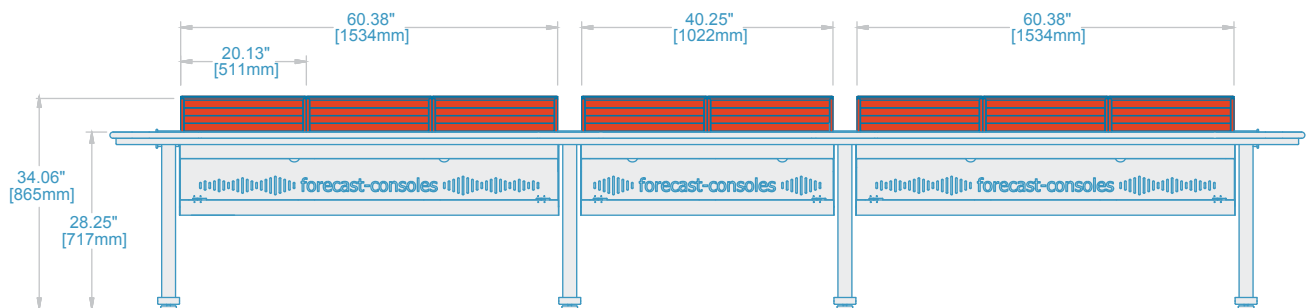
Expandable and Configurable



*Continuum is based on combining  
1, 2 and 3 bay X-Chassis' to create a  
fully customized console*



MODEL SHOWN:  
**FC-GCX-C323**



**FRONT VIEW**

All designs, plans, ideas & specifications in this drawing remain the entire property of Forecast Consoles Inc. and may not be reproduced or used in any manner without written consent.

(631) 253-9000 or [info@forecast-consoles.com](mailto:info@forecast-consoles.com)

# GCX-C Continuum™

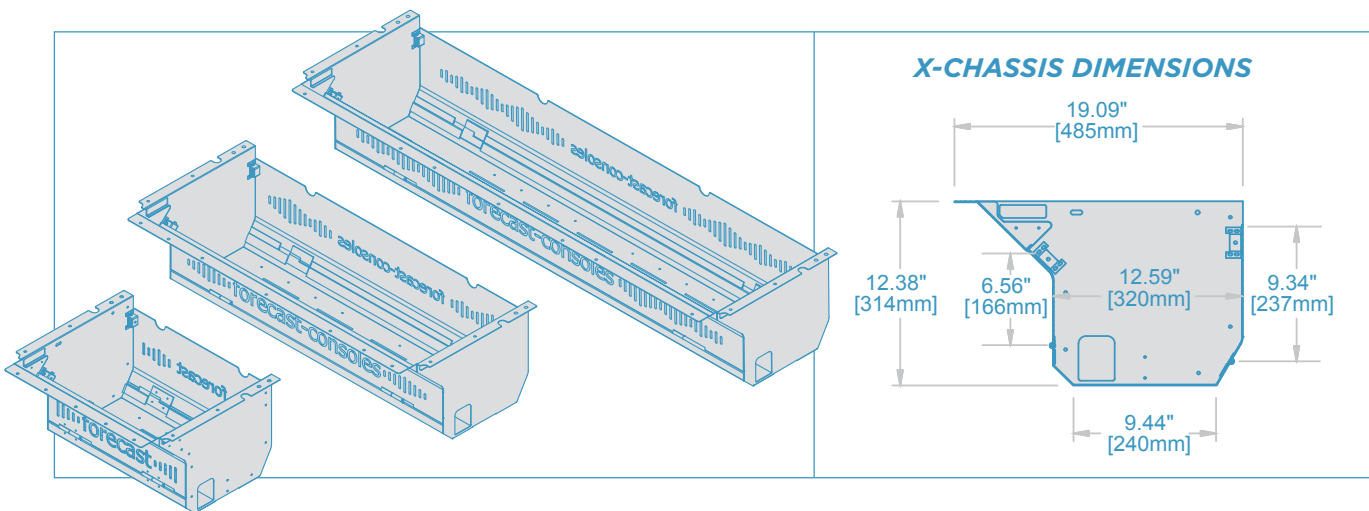
Expandable and Configurable



## X-CHASSIS

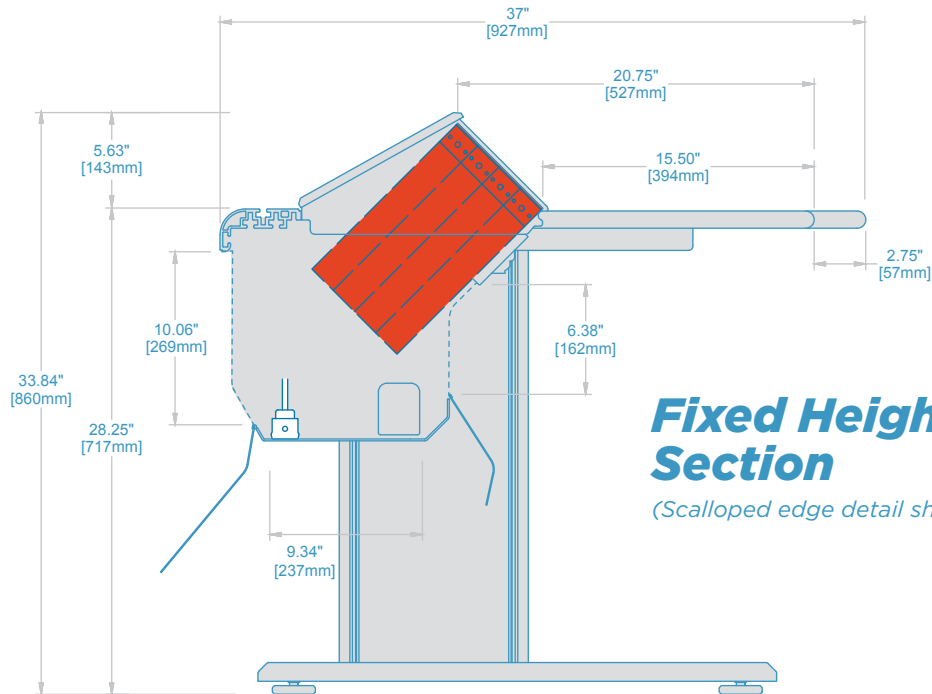


- Precision laser cut, lightweight steel X-Chassis with front and rear hinged/removable doors
- Perforated for ample ventilation
- Integrated power distribution options
- Multiple slots for managing cables
- Strategically placed holes for cable routing
- Open design for easy access



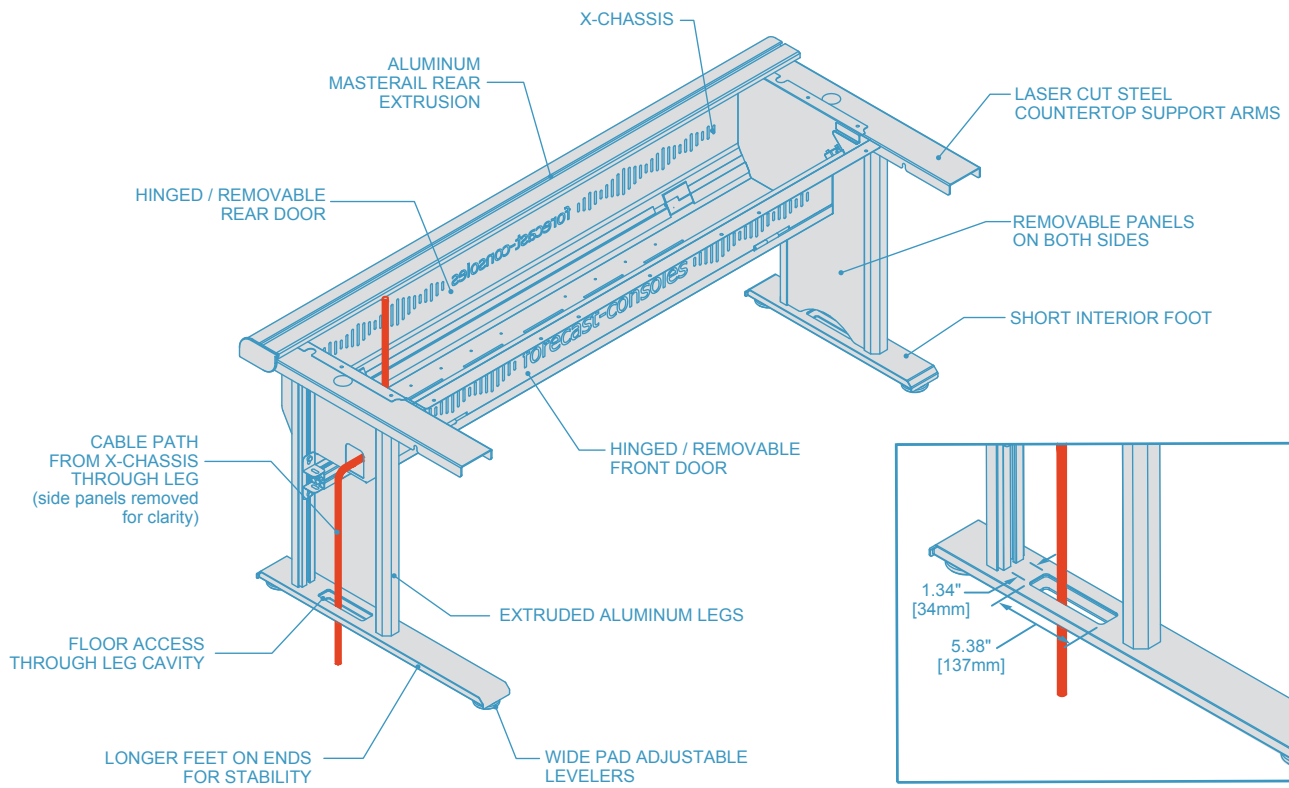
# GCX-C Continuum™

Expandable and Configurable



## Fixed Height Section

(Scalloped edge detail shown)



All designs, plans, ideas & specifications in this drawing remain the entire property of Forecast Consoles Inc. and may not be reproduced or used in any manner without written consent.

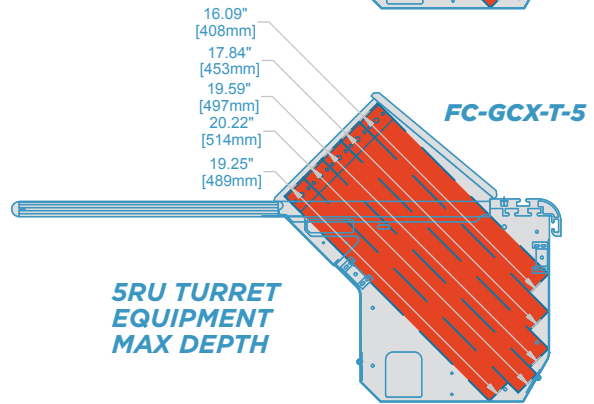
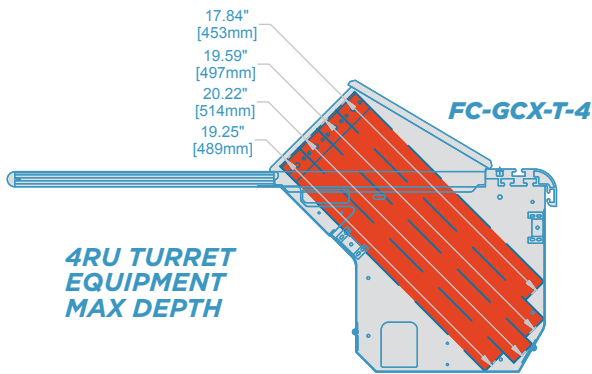
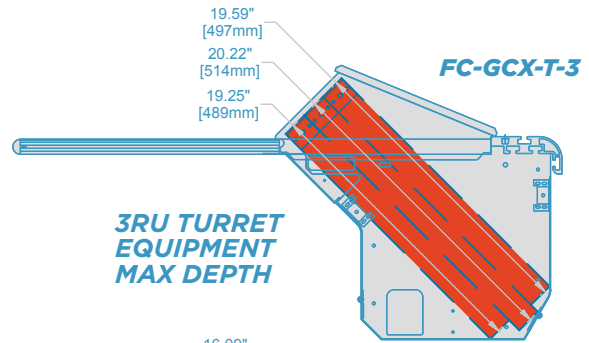
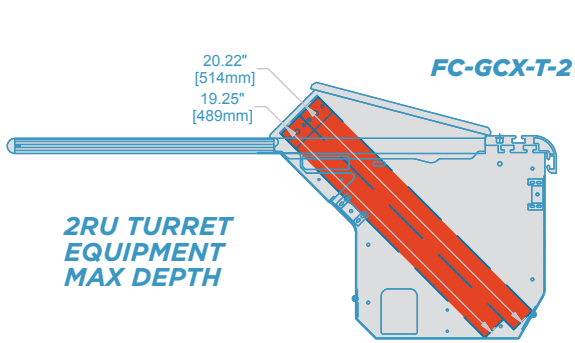
(631) 253-9000 or [info@forecast-consoles.com](mailto:info@forecast-consoles.com)

# GCX-C Continuum™

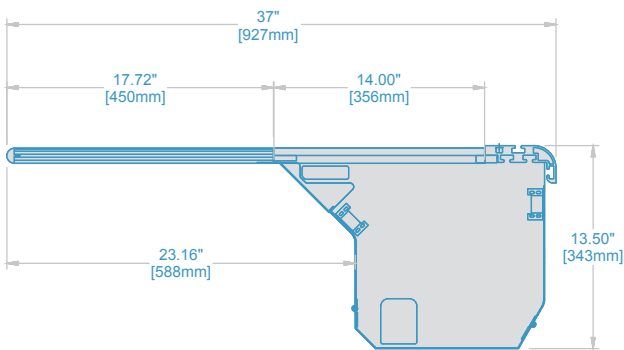
Expandable and Configurable



## Removable Turrets

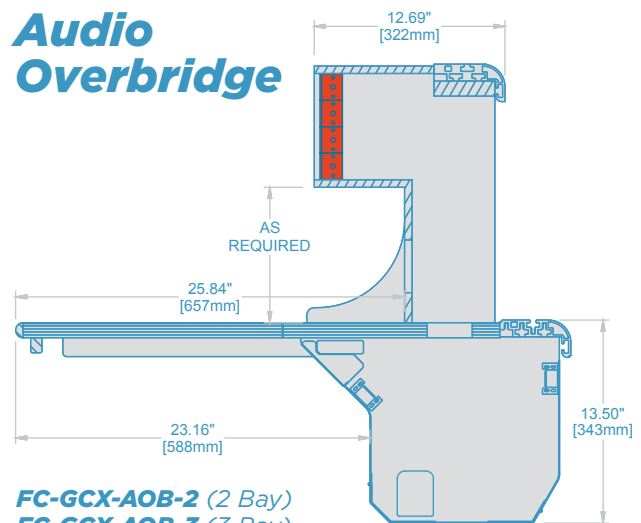


## Removable C-Top Filler



**FC\_GCX-CF-1 (1 Bay)**  
**FC-GCX-CF-0.5 (1/2 Bay)**

## Audio Overbridge



**FC-GCX-AOB-2 (2 Bay)**  
**FC-GCX-AOB-3 (3 Bay)**

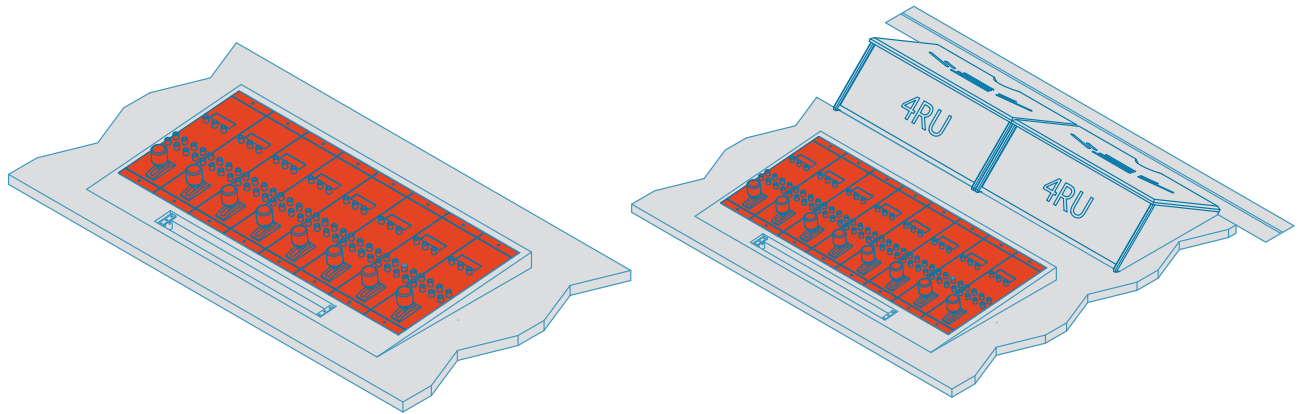
NOTE: Actual dimensions depends on the final design

# GCX-C Continuum™

Expandable and Configurable



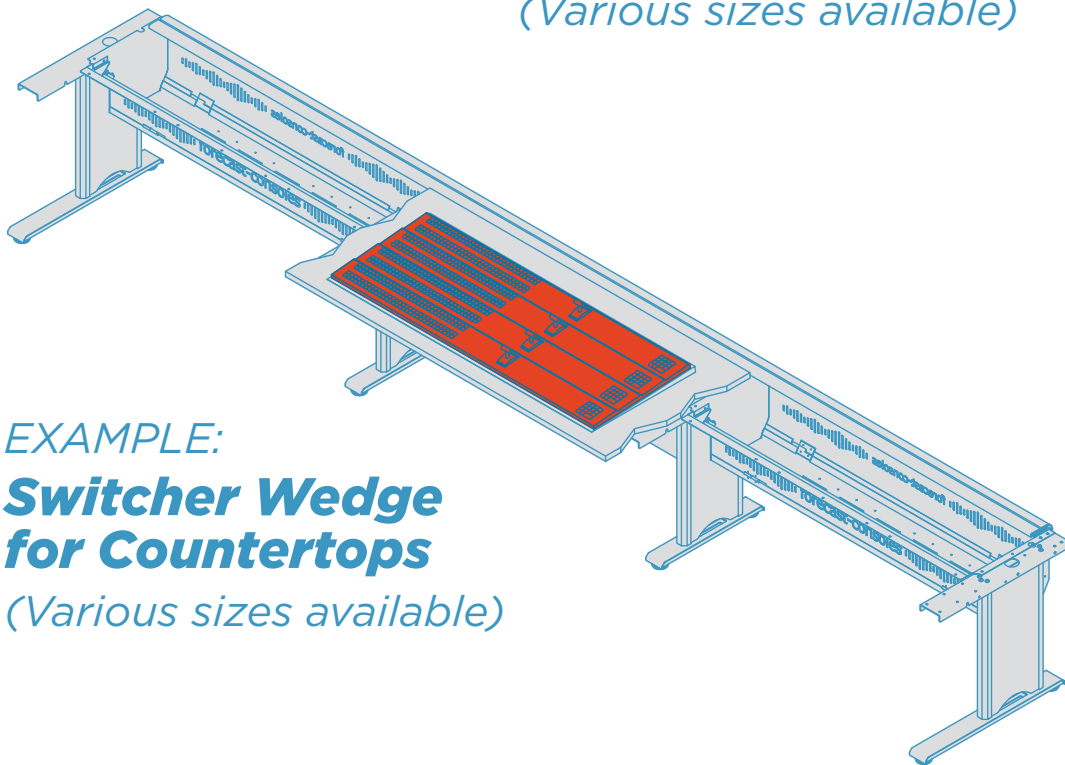
## OPTIONAL EQUIPMENT WEDGES



EXAMPLE:

### **RCP Wedge for Countertops**

*(Various sizes available)*



EXAMPLE:

### **Switcher Wedge for Countertops**

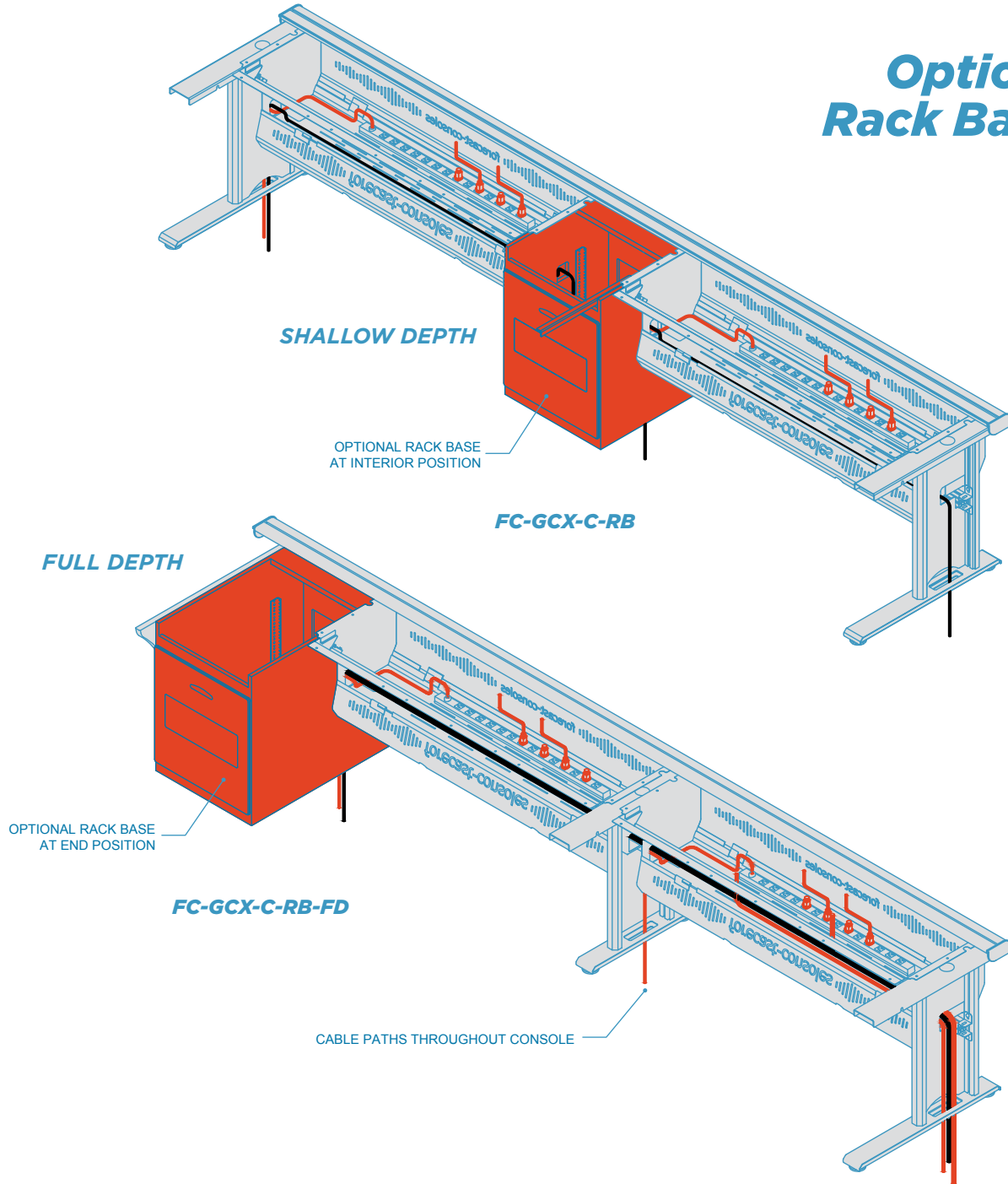
*(Various sizes available)*

# GCX-C Continuum™

Expandable and Configurable



## Optional Rack Bases

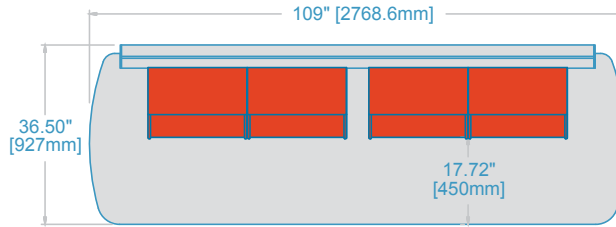


# GCX-C Continuum™

Expandable and Configurable

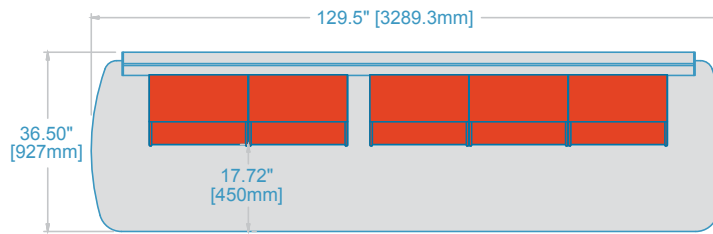


## FC-GCX-C22



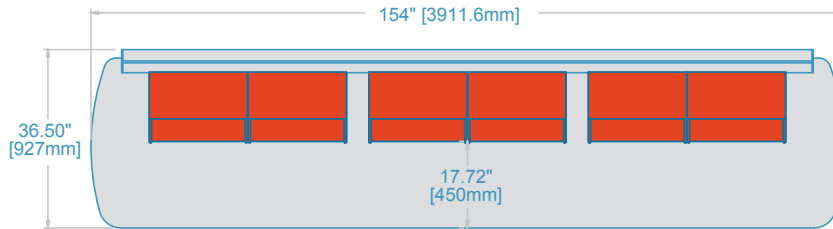
LINEAR C-TOP EDGE DETAIL

## FC-GCX-C23



LINEAR C-TOP EDGE DETAIL

## FC-GCX-C222



LINEAR C-TOP EDGE DETAIL

FC-GCX-C22			
	COUNTERTOP END DETAIL		
	CURVED	SQUARED	CAPPED
WIDTH	109"	107"	97"
DEPTH	36.50"		
MAX RU's	20RU (4x5RU)		
NUMBER OF OPERATORS	2		
C-TOP DEPTH (Turret To Edge)	Scalloped 15.50" Linear 17.72"		

FC-GCX-C23			
	COUNTERTOP END DETAIL		
	CURVED	SQUARED	CAPPED
WIDTH	129.5"	126.5"	117"
DEPTH	36.50"		
MAX RU's	25RU (5x5RU)		
NUMBER OF OPERATORS	2		
C-TOP DEPTH (Turret To Edge)	Scalloped 15.50" Linear 17.72"		

FC-GCX-C222			
	COUNTERTOP END DETAIL		
	CURVED	SQUARED	CAPPED
WIDTH	154"	151.5"	142"
DEPTH	36.50"		
MAX RU's	30RU (6x5RU)		
NUMBER OF OPERATORS	3		
C-TOP DEPTH (Turret To Edge)	Scalloped 15.50" Linear 17.72"		

All designs, plans, ideas & specifications in this drawing remain the entire property of Forecast Consoles Inc. and may not be reproduced or used in any manner without written consent.

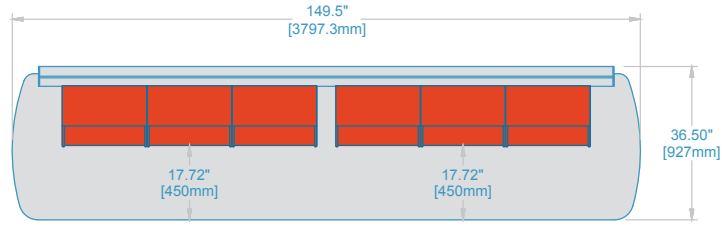
(631) 253-9000 or [info@forecast-consoles.com](mailto:info@forecast-consoles.com)

# GCX-C Continuum™

Expandable and Configurable

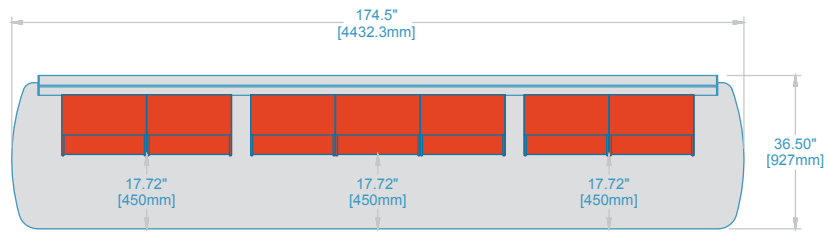


## FC-GCX-C33



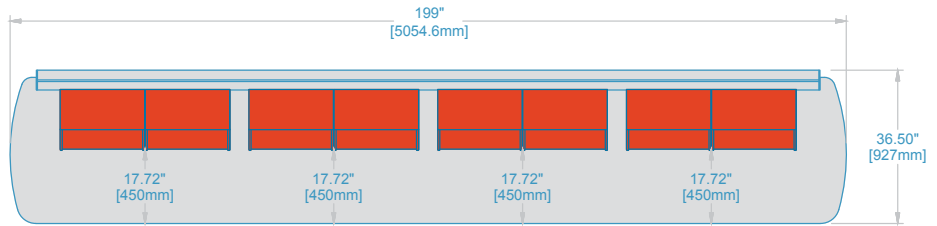
LINEAR C-TOP EDGE DETAIL

## FC-GCX-C232



LINEAR C-TOP EDGE DETAIL

## FC-GCX-C2222



LINEAR C-TOP EDGE DETAIL

	FC-GCX-C33		
	COUNTERTOP END DETAIL		
	CURVED	SQUARED	CAPPED
WIDTH	149.5"	147"	137.5"
DEPTH	36.50"		
MAX RU's	30RU (6x5RU)		
NUMBER OF OPERATORS	2-3		
C-TOP DEPTH (Turret To Edge)	Scalloped 15.50" Linear 17.72"		

	FC-GCX-C232		
	COUNTERTOP END DETAIL		
	CURVED	SQUARED	CAPPED
WIDTH	174.5"	171.75"	162.25"
DEPTH	36.50"		
MAX RU's	35RU (7x5RU)		
NUMBER OF OPERATORS	3 - 5		
C-TOP DEPTH (Turret To Edge)	Scalloped 15.50" Linear 17.72"		

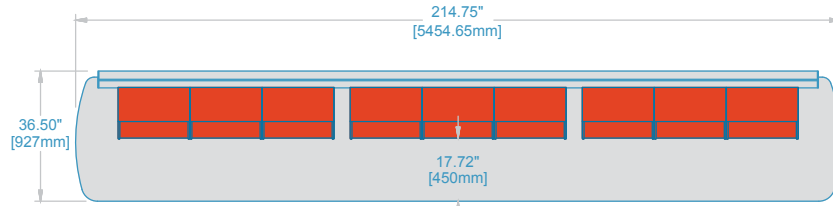
	FC-GCX-C2222		
	COUNTERTOP END DETAIL		
	CURVED	SQUARED	CAPPED
WIDTH	199"	196.5"	187"
DEPTH	36.50"		
MAX RU's	40RU (8x5RU)		
NUMBER OF OPERATORS	4 - 6		
C-TOP DEPTH (Turret To Edge)	Scalloped 15.50" Linear 17.72"		

# GCX-C Continuum™

Expandable and Configurable

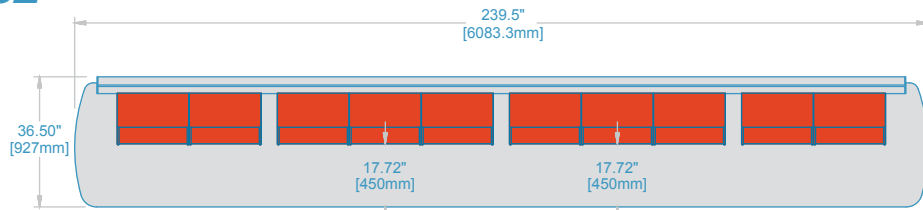


## FC-GCX-C333



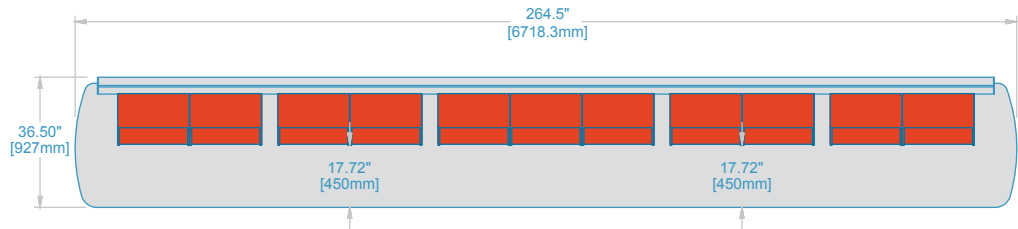
LINEAR C-TOP EDGE DETAIL

## FC-GCX-C2332



LINEAR C-TOP EDGE DETAIL

## FC-GCX-C22322



LINEAR C-TOP EDGE DETAIL

FC-GCX-C333			
	COUNTERTOP END DETAIL		
	CURVED	SQUARED	CAPPED
WIDTH	<b>214.75"</b>	<b>212"</b>	<b>202.5"</b>
DEPTH	<b>36.50"</b>		
MAX RU's	<b>45RU (9x5RU)</b>		
NUMBER OF OPERATORS	<b>3 - 4</b>		
C-TOP DEPTH (Turret To Edge)	<b>Scalloped 15.50"</b> <b>Linear 17.72"</b>		

FC-GCX-C2332			
	COUNTERTOP END DETAIL		
	CURVED	SQUARED	CAPPED
WIDTH	<b>239.5"</b>	<b>237"</b>	<b>227.5"</b>
DEPTH	<b>36.50"</b>		
MAX RU's	<b>50RU (10x5RU)</b>		
NUMBER OF OPERATORS	<b>4 - 5</b>		
C-TOP DEPTH (Turret To Edge)	<b>Scalloped 15.50"</b> <b>Linear 17.72"</b>		

FC-GCX-C22322			
	COUNTERTOP END DETAIL		
	CURVED	SQUARED	CAPPED
WIDTH	<b>264.5"</b>	<b>261.75"</b>	<b>252"</b>
DEPTH	<b>36.50"</b>		
MAX RU's	<b>55RU (11x5RU)</b>		
NUMBER OF OPERATORS	<b>5 - 6</b>		
C-TOP DEPTH (Turret To Edge)	<b>Scalloped 15.50"</b> <b>Linear 17.72"</b>		

All designs, plans, ideas & specifications in this drawing remain the entire property of Forecast Consoles Inc. and may not be reproduced or used in any manner without written consent.

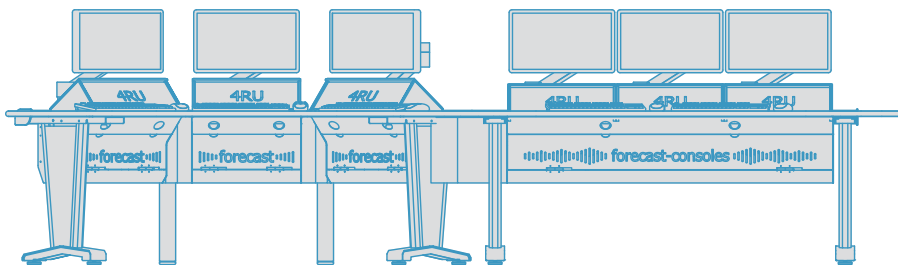
(631) 253-9000 or [info@forecast-consoles.com](mailto:info@forecast-consoles.com)

# GCX-C Continuum™

Expandable and Configurable



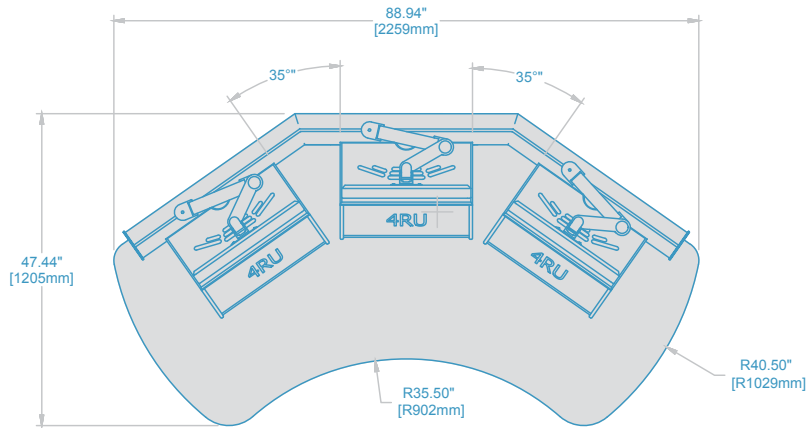
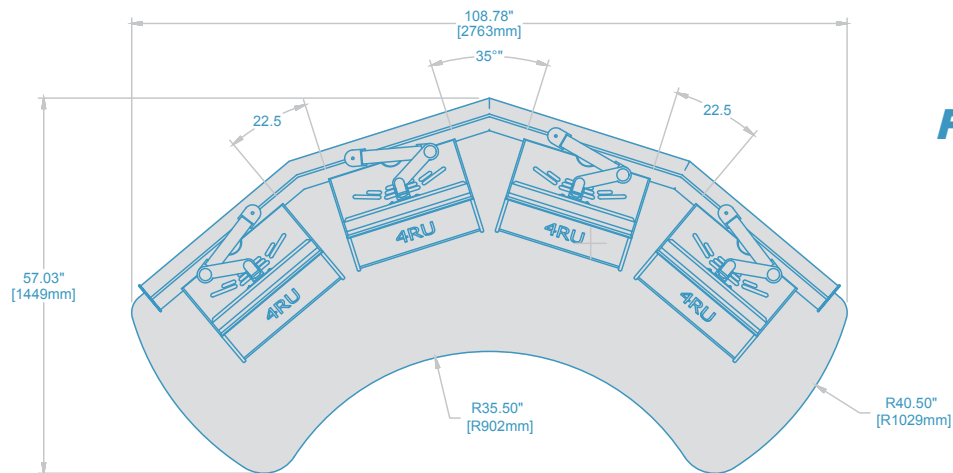
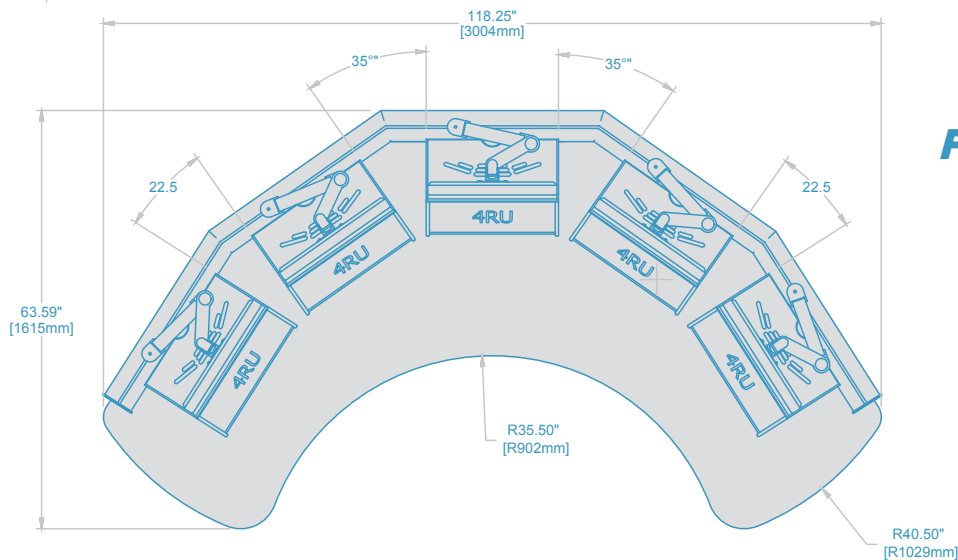
*Several 1-Bay chassis' combined to form a curved cockpit section.*



**FRONT VIEW**

# GCX-C Continuum™

Expandable and Configurable

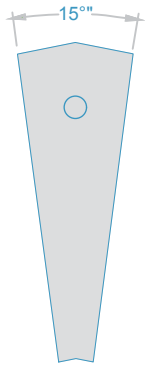
**FC-GCX-C13****FC-GCX-C14****FC-GCX-C15**

All designs, plans, ideas & specifications in this drawing remain the entire property of Forecast Consoles Inc. and may not be reproduced or used in any manner without written consent.

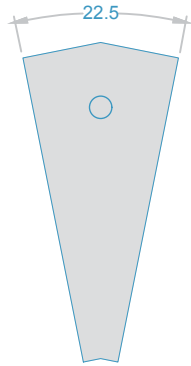
(631) 253-9000 or [info@forecast-consoles.com](mailto:info@forecast-consoles.com)

# GCX-C Continuum™

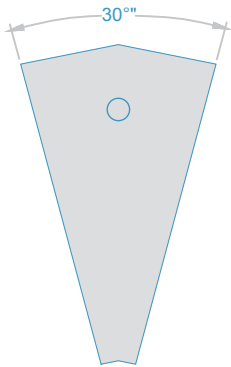
Expandable and Configurable



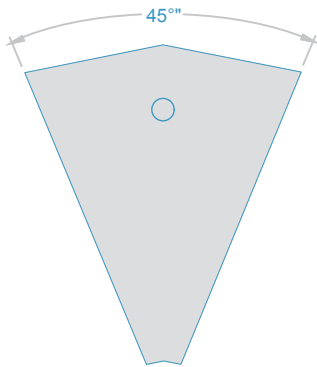
**FC-GCX-TR-15**  
(15° transition angle)



**FC-GCX-TR-22.5**  
(22.5° transition angle)

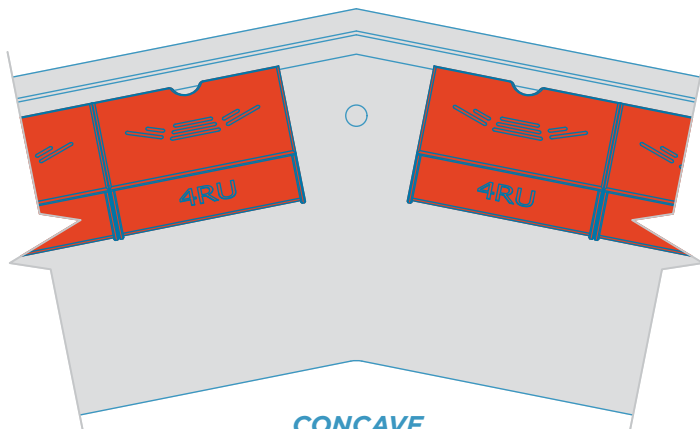
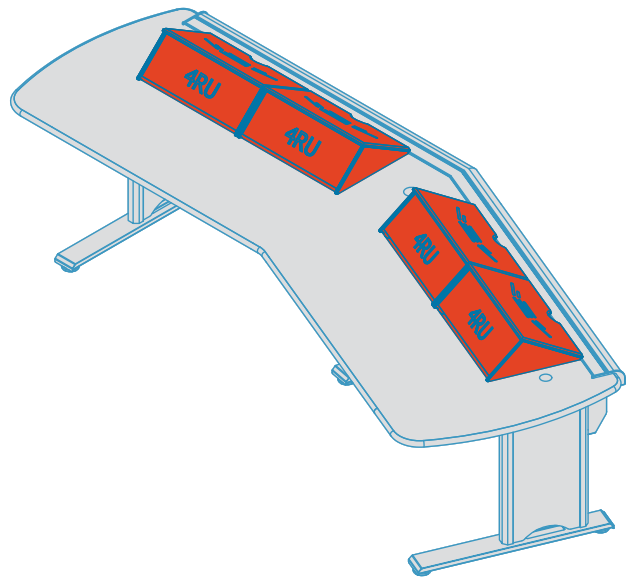


**FC-GCX-TR-30**  
(30° transition angle)

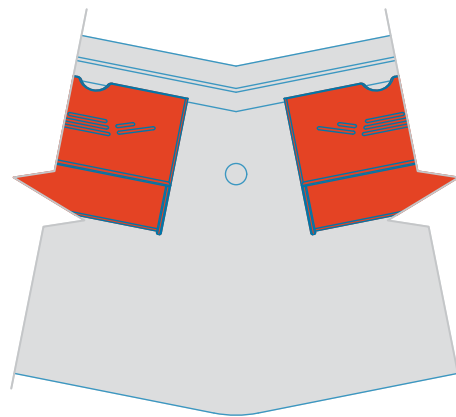


**FC-GCX-TR-45**  
(45° transition angle)

Transitions offered in four angles to build concave or convex curves



**CONCAVE**  
(Towards the user)



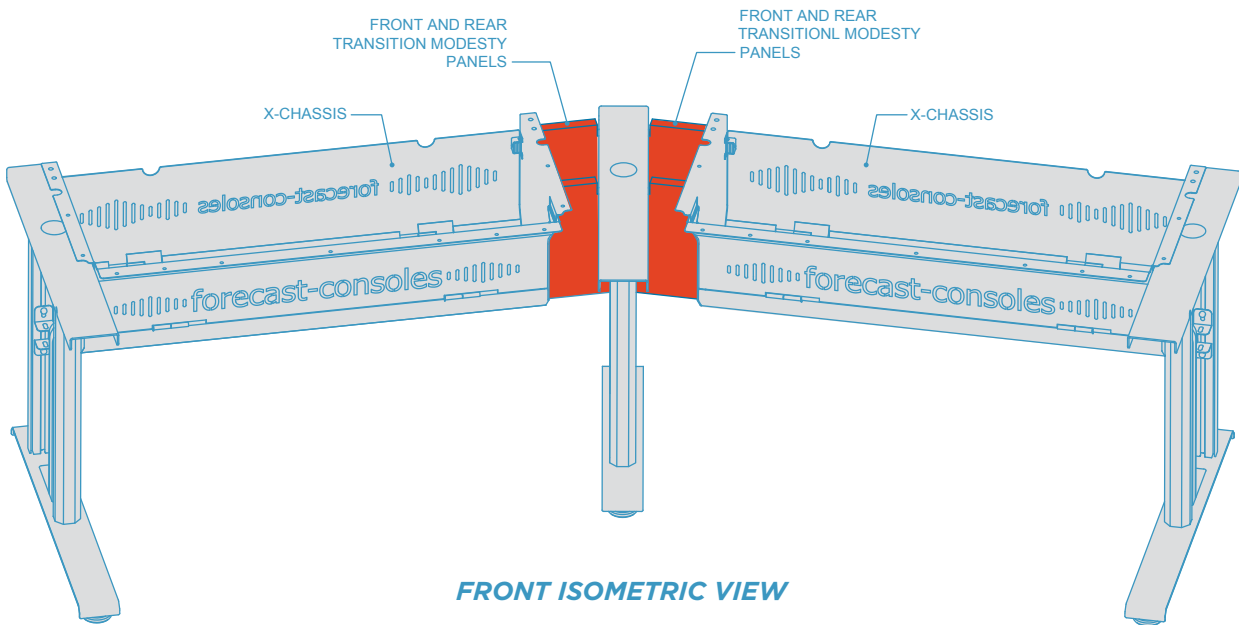
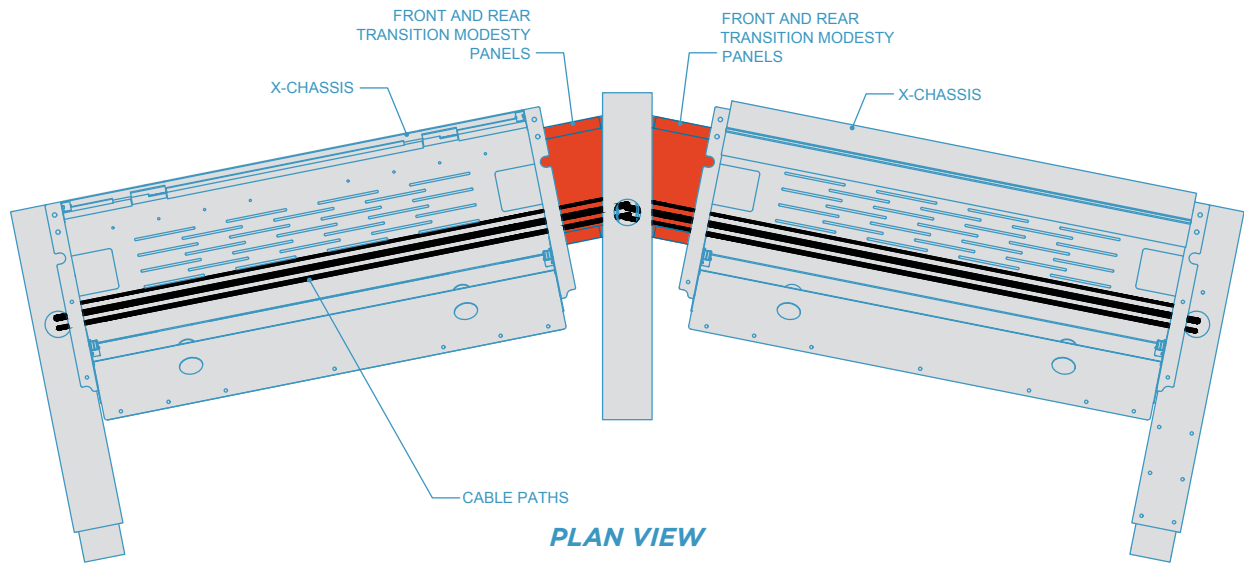
**CONVEX**  
(Away from user)

# GCX-C Continuum™

Expandable and Configurable



Removable modesty panels hide cables between transitions



All designs, plans, ideas & specifications in this drawing remain the entire property of Forecast Consoles Inc. and may not be reproduced or used in any manner without written consent.

(631) 253-9000 or [info@forecast-consoles.com](mailto:info@forecast-consoles.com)

# GCX-C Continuum™

Expandable and Configurable



MONITOR  
POST MOUNT ARM



**FC-PA-14-S**  
(30lb Weight Capacity)

DUAL MONITOR  
POST MOUNT ARM



**FC-PA-28-D**  
(40lb Weight Capacity)

FULLY ARTICULATING  
MONITOR ARM



**FC-AA-0313**  
(3-13lb Weight Capacity)  
**FC-AA-0825**  
(8-25lb Weight Capacity)  
**FC-AA-1331**  
(13-31lb Weight Capacity)

POST MOUNT  
SPEAKER PLATFORM



**FC-PA-14 SPEAKER**  
14" Post (20lb Weight Capacity)  
**FC-PA-28 SPEAKER**  
28" Post (20lb Weight Capacity)

## MasteRail™ Universal Mounting System\*

Aluminum Extrusion has a channel used to mount a variety of accessories giving you maximum flexibility. (Mounts and accessories sold separately.)

\*Available in all GCX models



ARTICULATING  
TELEPHONE  
POST MOUNT



**FC-PA-14-PHONE**

GOOSENECK  
TASK LIGHT

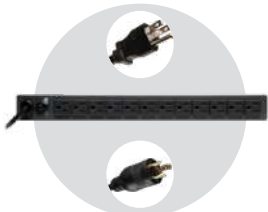


**FC-AC-GOOSENECK LT**

## Power Distribution Options

Rack Mount Power Distribution Units can be mounted in different locations depending on your wiring requirements.

RACK MOUNT (12)  
OUTLET POWER STRIP



**FC-RS1215** (15 Amp)  
**FC-RS1220** (20 Amp)

FORECAST 1RU  
POWER DATA UNIT



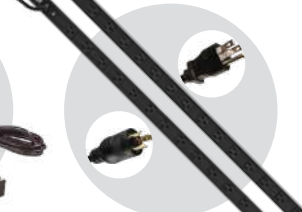
**FC-PDM-1**

24" (8) OUTLET  
POWER STRIP



**FC-PS0815**

36" (14) OUTLET  
POWER STRIP



**FC-PS1415** (15 Amp)  
**FC-PS1420** (20 Amp)



**MasterVision™**  
 Low-Profile Production &  
 Monitoring Console System



**Sightline™**  
 Configurable Monitor  
 Wall System



**GCX-Chassis™**  
 Modular Desk System for  
 One or More Operators

For more information: **(800) 735-2070** or **info@forecast-consoles.com**

*All designs, plans, ideas & specifications in this drawing remain the entire property of Forecast Consoles Inc. and may not be reproduced or used in any manner without written consent.*

*\*Prices upon request*