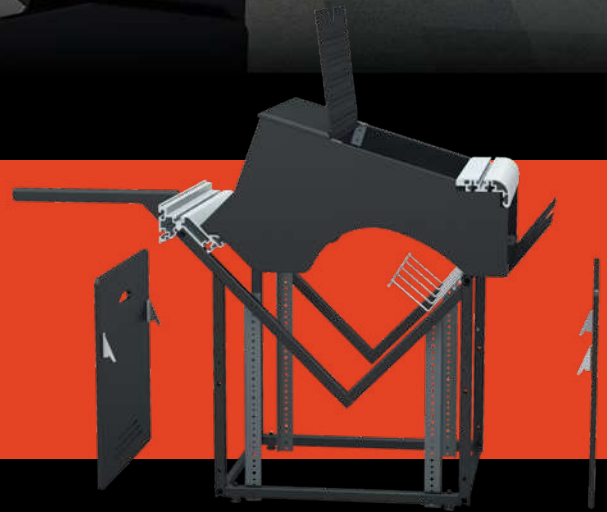




MasteRail™

Full Capacity from the ground up,
Box Frame Based Console System



*Customizable, high capacity design
for control rooms with a diverse range
and density of equipment*

TABLE OF CONTENTS:

MASTERAIL

■ The anatomy of MasteRail	2
■ The technology inside MasteRail.....	3
■ The look of your MasteRail	4
■ Configure your MasteRail	5
■ Rack Bases	6
■ Clear Bay Spans	7
■ Turret Options.....	8
C-Top Extensions & Drop Wells	9
Flat-Top	10
Extended Face	11
Straight Face	12
Split Face.....	13
■ Countertop Options.....	14
■ Wiring.....	15
■ Transitions	16
■ Equipment Wedge Options	17
■ Accessories.....	18
■ Standard Laminates	19

The MasteRail Advantage:

RACK & STACK

With customizable rack bases and a wide variety of rack turret options, MasteRail can support almost any equipment.



Welded steel sub-structure, aluminum extrusion and composite materials ensure lasting durability.



BUILT TO LAST

Complete ACCESS

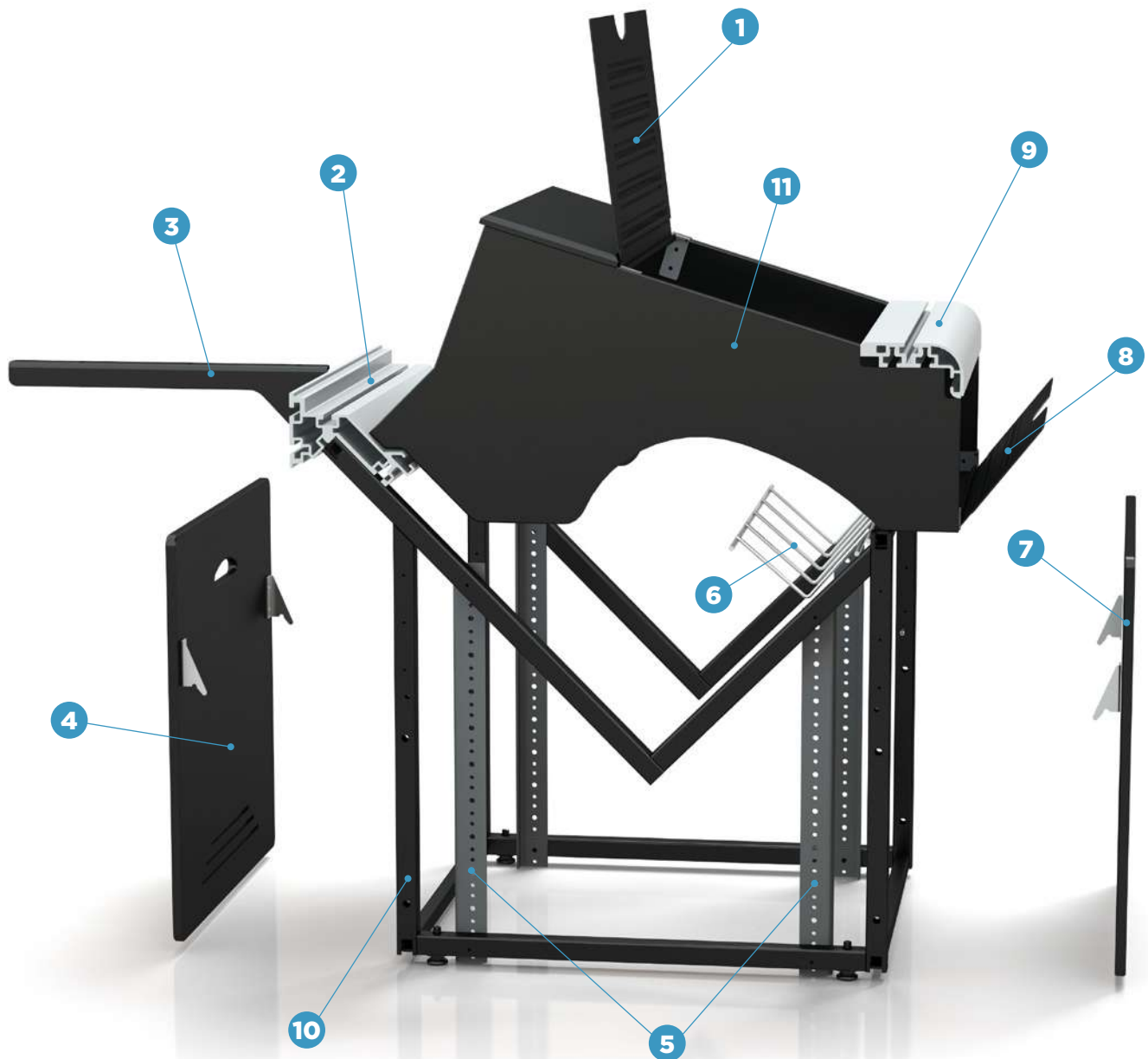
No more crawling under consoles. Hinged top and rear access doors on the turrets make maintenance a breeze. Access lower equipment through front and rear lift off panels.



Using a combination of rack bases, clear bay spans and angled transitions ensures the right shape for your space and workflow.

USER Customizable

The anatomy of a MasteRail:



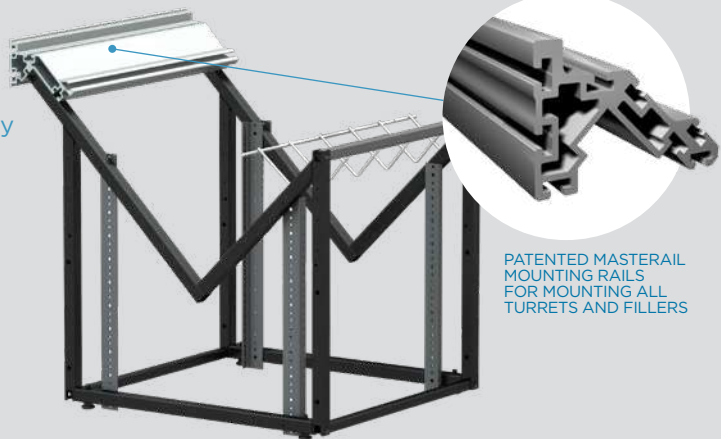
- 1 All MasteRail turrets come with top vented/hinged door.
- 2 MasteRail front extrusion.
- 3 Countertop support arms interlock into the front extrusion.
- 4 Lift-off lower front panels.
- 5 Front and rear rack rail.
- 6 Continuous cable tray throughout the console.
- 7 Lift-off lower rear panels.
- 8 Hinged/vented rear door.
- 9 MasteRail rear extrusion.
- 10 Steel stanchion base frame.
- 11 Turrets come in a variety of sizes and shapes.

The technology inside MasteRail:

Building Blocks

1-BAY (19" WIDE)

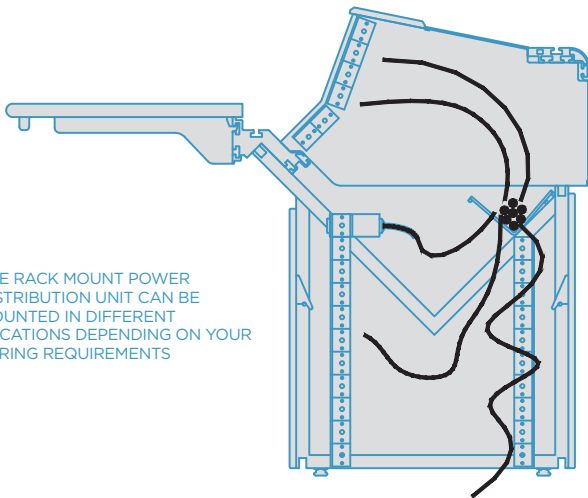
The concept behind the MasteRail™ technology is the use of pre-engineered components to provide a foundational structure for an infinite number of configurations and layouts. Base frame components are designed to be modular, allowing for future expansion and reconfiguration. A variety of finished materials can be applied to the framework to achieve any desired look or style. You get the custom look, without the custom price. All MasteRail™ components are designed with precision tolerances, allowing for fast, error-proof assembly.



PATENTED MASTERAIL MOUNTING RAILS FOR MOUNTING ALL TURRETS AND FILLERS

Wiring

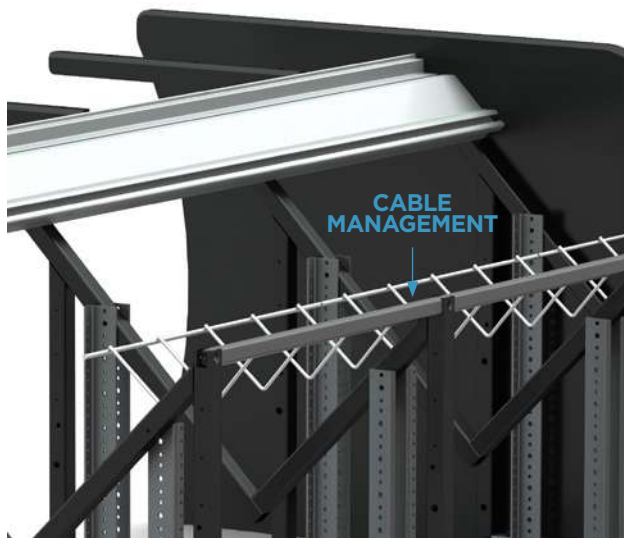
MasteRail uses an open interior design to route wiring between upper rack turrets and lower base structure. Rack bases have an open bottom allowing cables to pass through the floor.



THE RACK MOUNT POWER DISTRIBUTION UNIT CAN BE MOUNTED IN DIFFERENT LOCATIONS DEPENDING ON YOUR WIRING REQUIREMENTS

Continuous Cableways

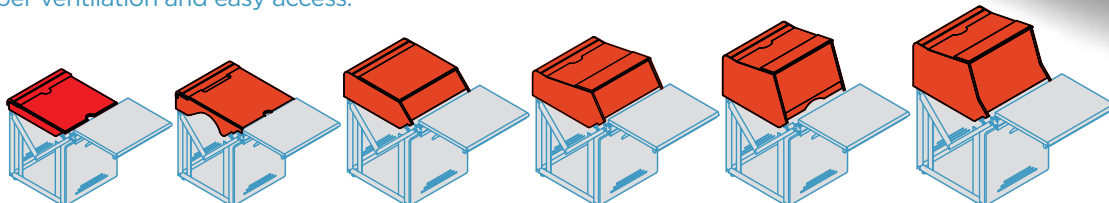
Cable management runs throughout the console.



Ready for all your gear

EASILY ARRANGE AND RE-ARRANGE TURRETS AND FILLERS AS NEEDED

Turrets come in a variety of sizes and configurations (Flat-Top, Straight Face, Split Face, Extended Face as well as Countertop Extensions and Drop Wells). All designed for proper ventilation and easy access.



Everything exactly where you want it

MasteRail™ UNIVERSAL MOUNTING SYSTEM

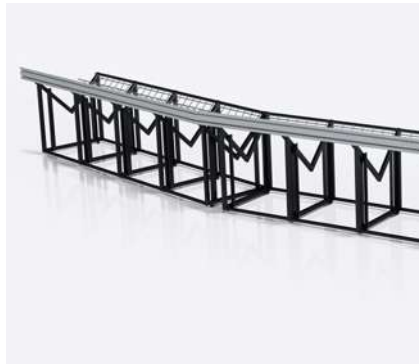
Aluminum Extrusion has a channel used to mount a variety of accessories giving you maximum flexibility

REAR EXTRUSION



Maximum Storage Area

Each rack base has 9 RU of usable space with an additional 1 RU reserved for rackmount PDUs. All concealed behind vented lift-off panels.

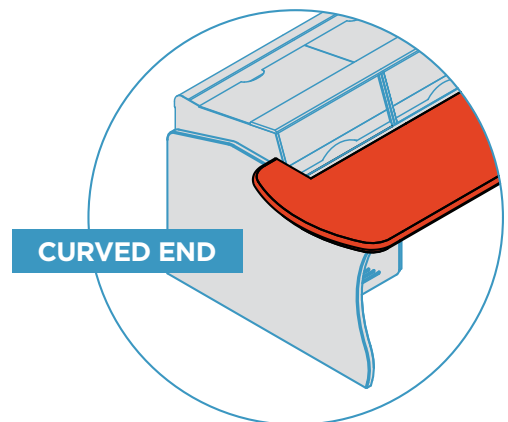
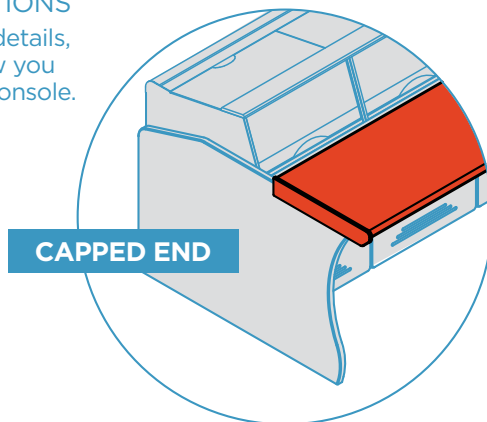


The look of your MasteRail:

Give your consoles their own look

COUNTERTOP VARIATIONS

Countertop shapes, end details, materials and colors allow you to customize your ideal console.



LAMINATE OR
LINOLEUM
WITH T-MOLDING



SOLID
SURFACE



ACRYLIC



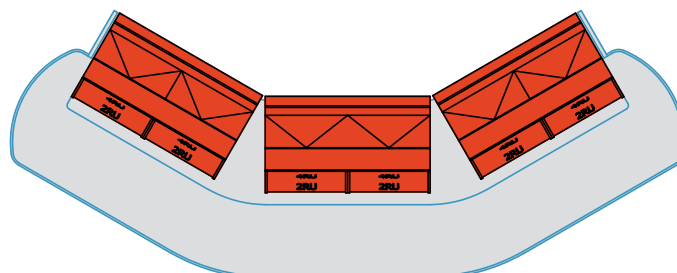
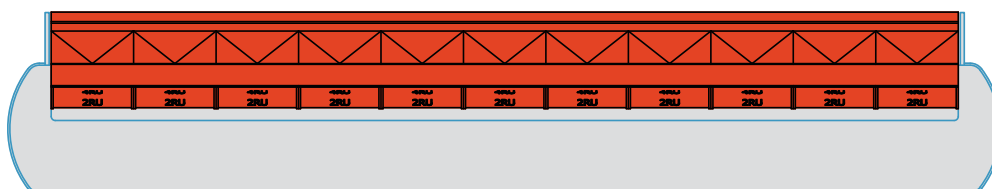
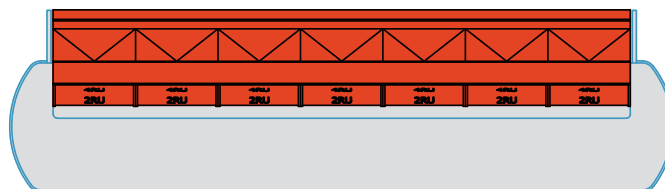
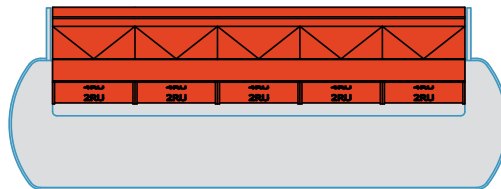
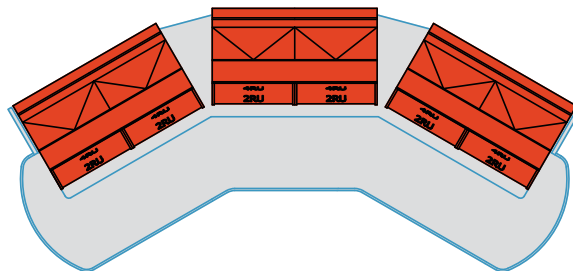
LAMINATE
W/ COMFORT EDGE

Configure your MasteRail:

Expandable and Configurable

MASTERAIL CAN BE CUSTOMIZED TO FIT ANY FOOTPRINT

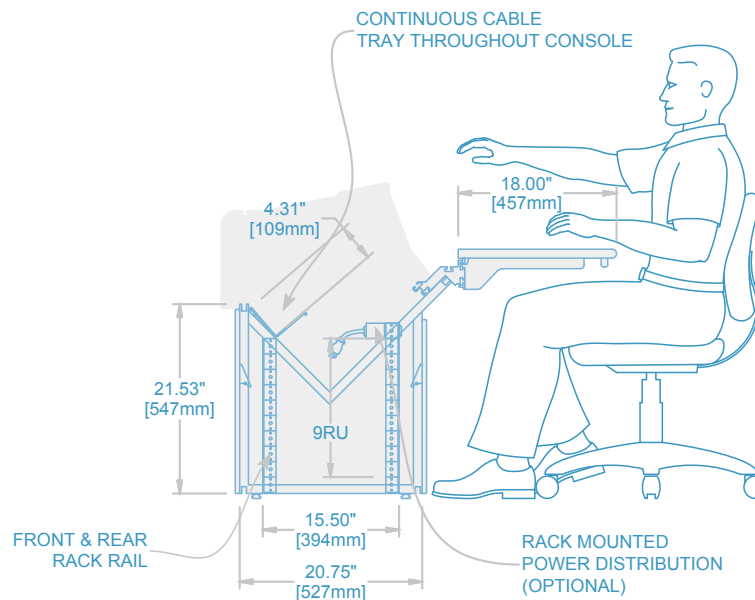
MasteRail™ can also be configured in concave or convex curves as well as free-form S-shape layouts. The lower transition panels ensure that wiring between units is protected and hidden from view.





Rack Bases

Fit more equipment than you ever thought possible.



TYPICAL RACK BASE SECTION

FC-MR-B-9R
(Single Rack Bay Base)

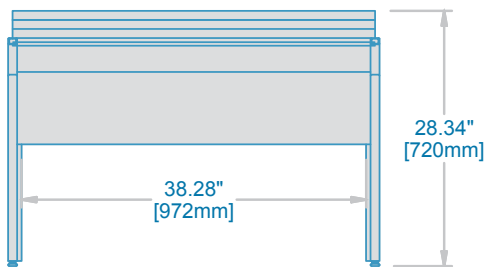


Clear Bay Spans



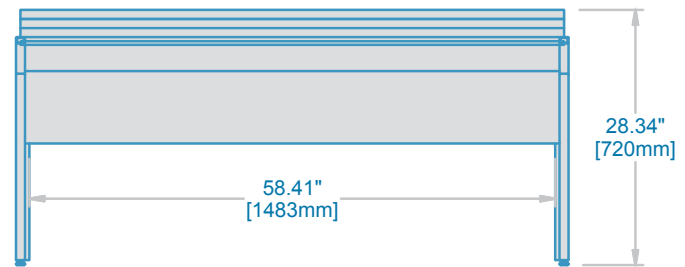
Clear Bay Spans:

Available in 2 Bay, 3 Bay and 4 Bay Spans with continuous cable management



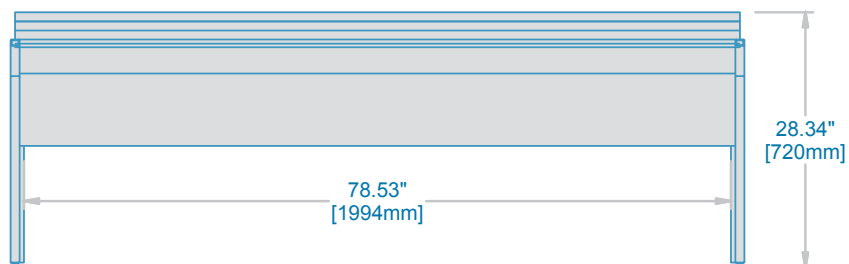
2 BAY CLEAR SPAN

FC-MR-S-2
(2 Bay Clear Span)



3 BAY CLEAR SPAN

FC-MR-S-3
(3 Bay Clear Span)



4 BAY CLEAR SPAN

FC-MR-S-4
(4 Bay Clear Span)



Turrets & Inserts



Ready For All Your Gear

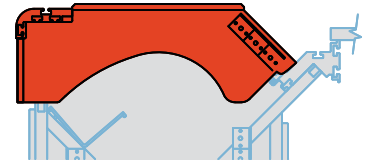
MasteRail Turrets come in various sizes and shapes.
Drop well and countertop fillers are also available.



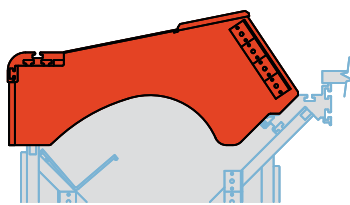
DROP WELL



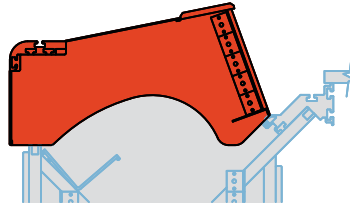
COUNTERTOP EXTENSIONS



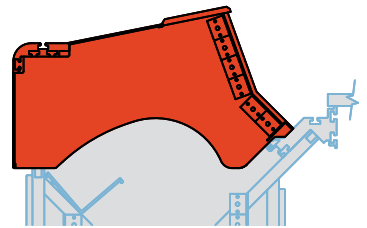
FLAT-TOP TURRETS



EXTENDED FACE TURRETS



STRAIGHT FACE TURRETS

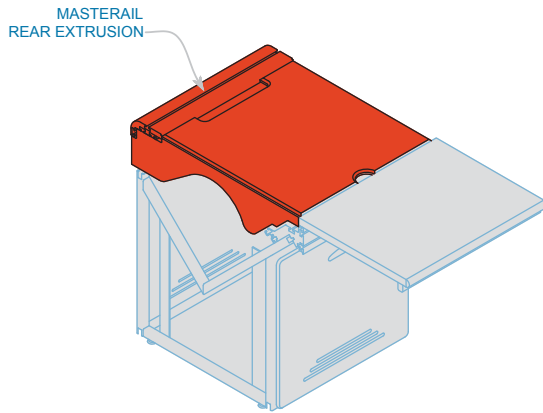


SPLIT FACE TURRETS

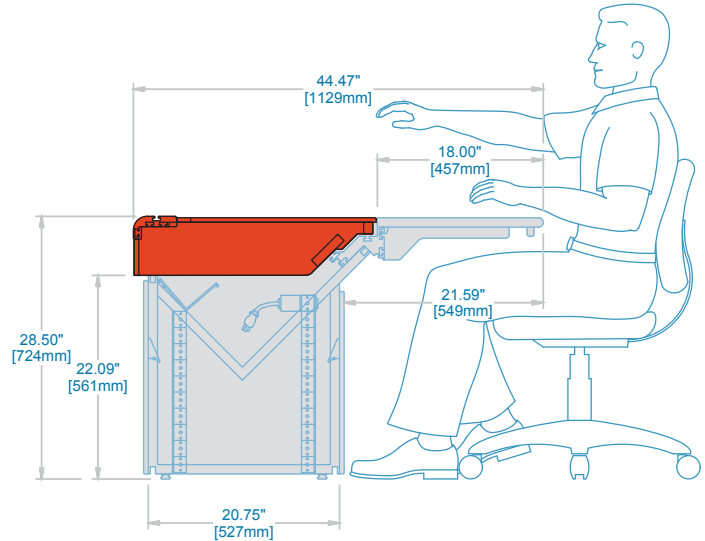


Countertop Extensions

For when you need more surface area than rack storage.

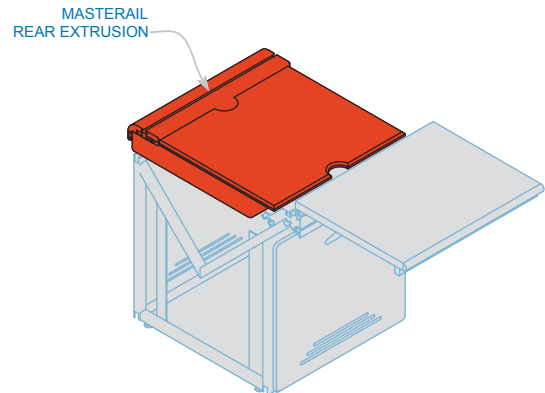
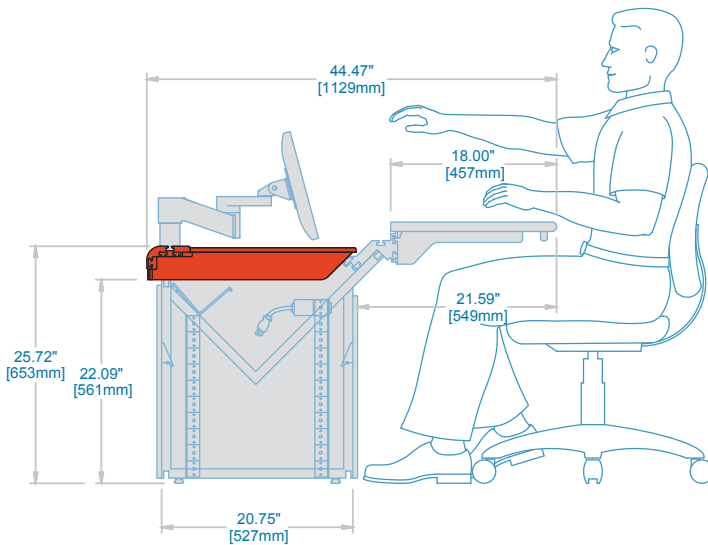


FC-MR-T-CX
(Countertop Extension)



Drop Wells

Allow for lower monitor placement for improved sightlines.

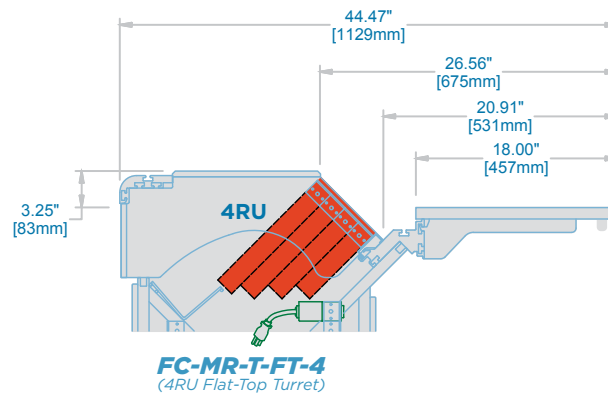
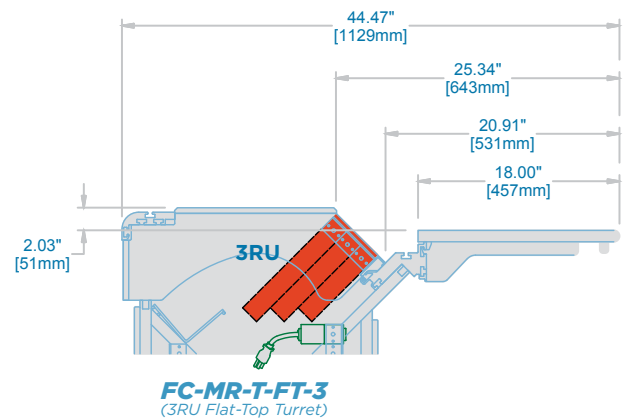
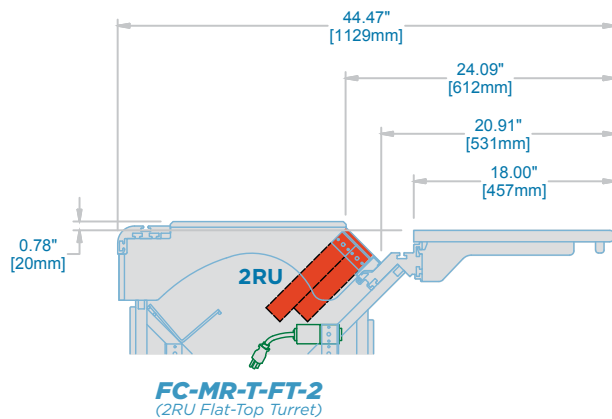
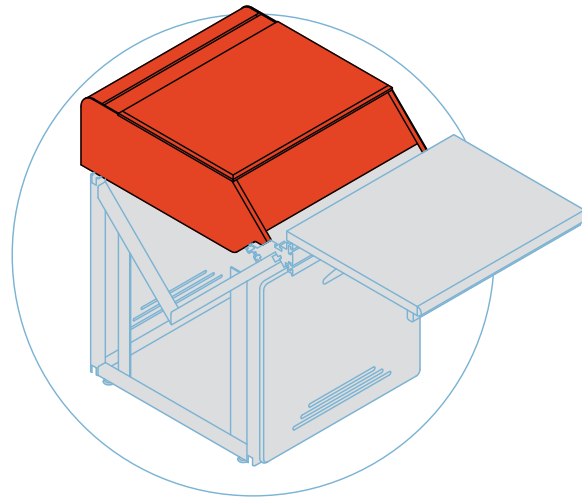


FC-MR-T-DW
(Drop Well)



Flat-Top Turrets

Flat-Top Turrets allow placement of documents or equipment on top of the turret.



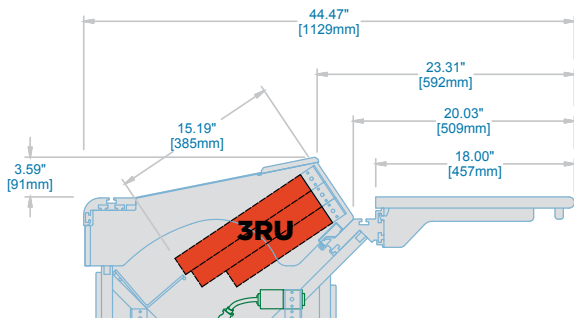
All designs, plans, ideas & specifications in this drawing remain the entire property of Forecast Consoles Inc. and may not be reproduced or used in any manner without written consent.

(631) 253-9000 or info@forecast-consoles.com

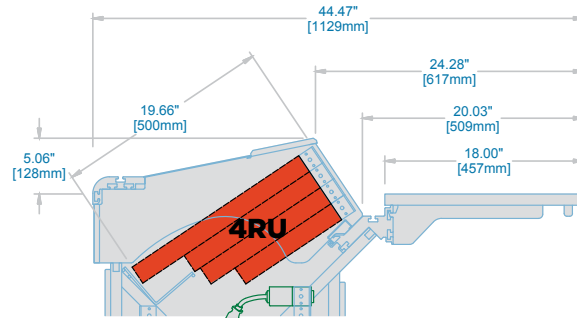


Extended Face Turrets

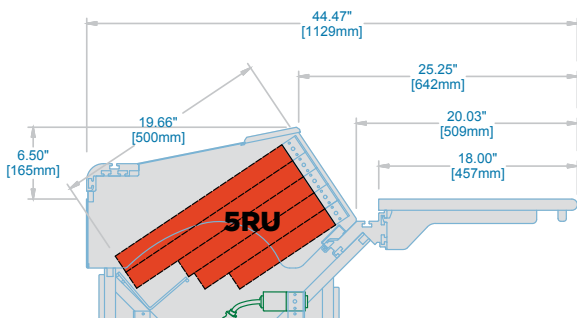
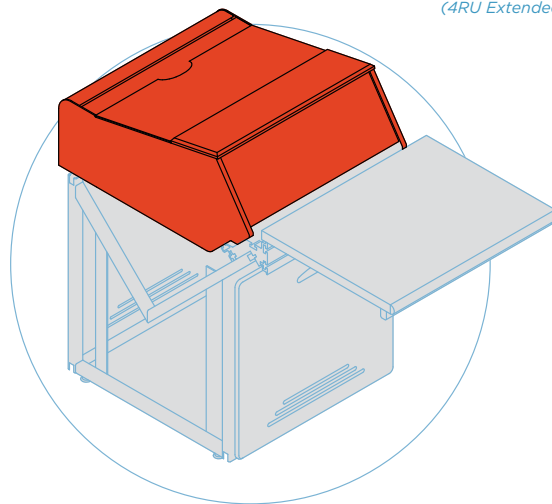
Extended Face Turrets reduce operator reach and increase maximum equipment depth.



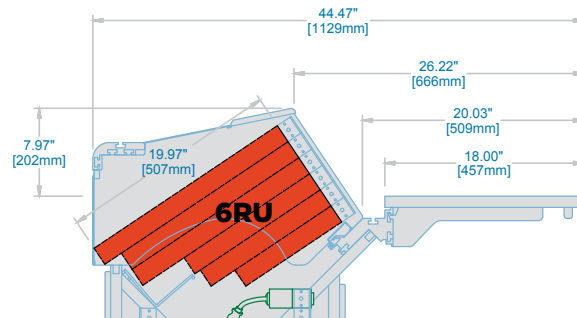
FC-MR-T-EF-3
(3RU Extended Face Turret)



FC-MR-T-EF-4
(4RU Extended Face Turret)



FC-MR-T-EF-5
(5RU Extended Face Turret)

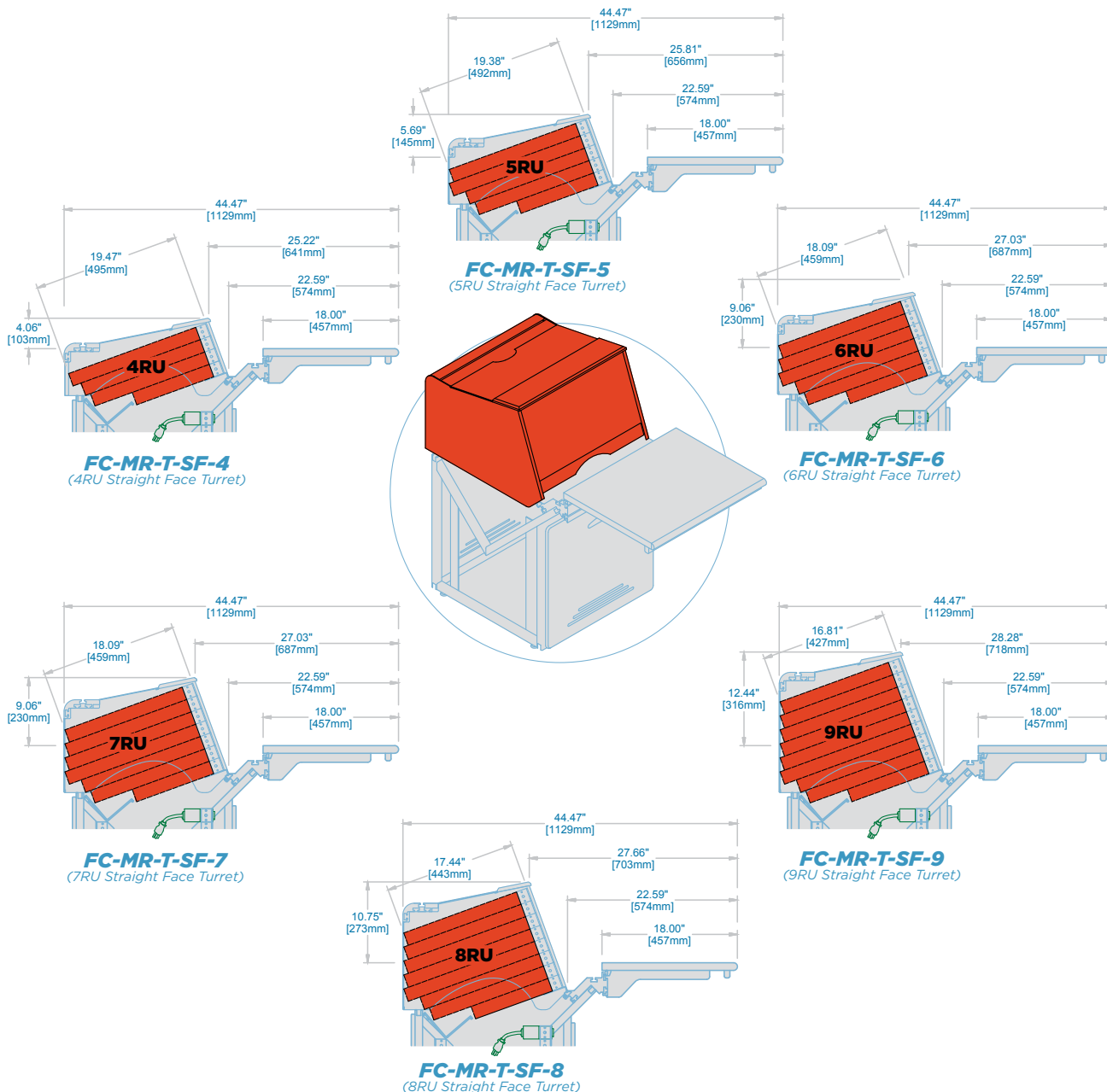


FC-MR-T-EF-6
(6RU Extended Face Turret)



Straight Face Turrets

The classic MasteRail Turret. The lower 2 rack units sit below the countertop and are used for no or low touch equipment.



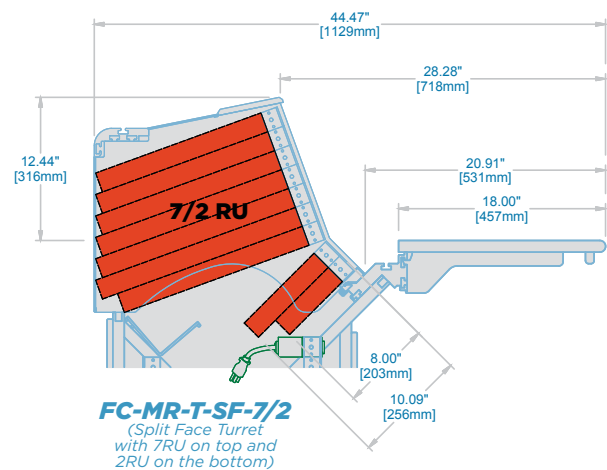
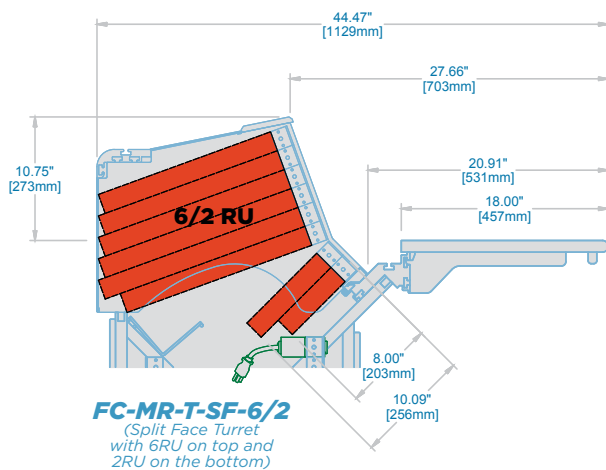
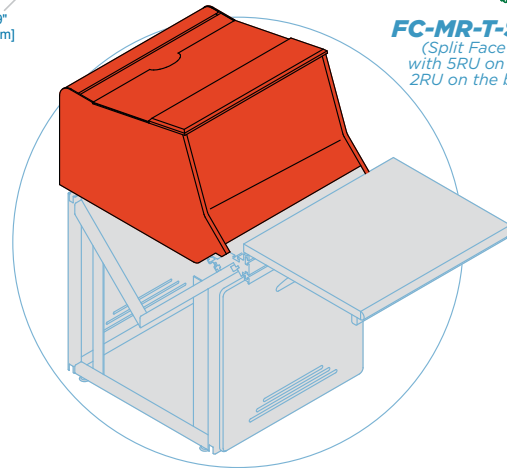
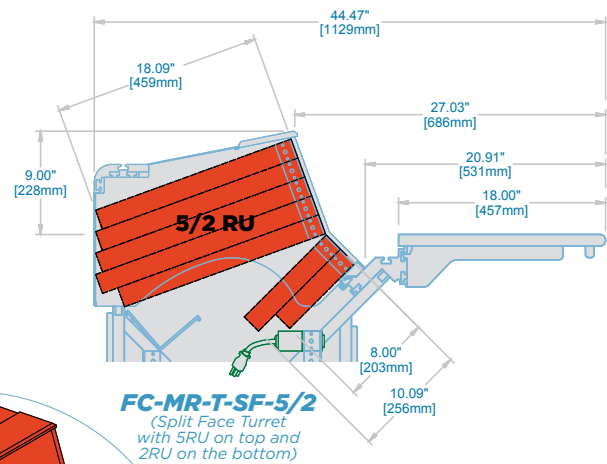
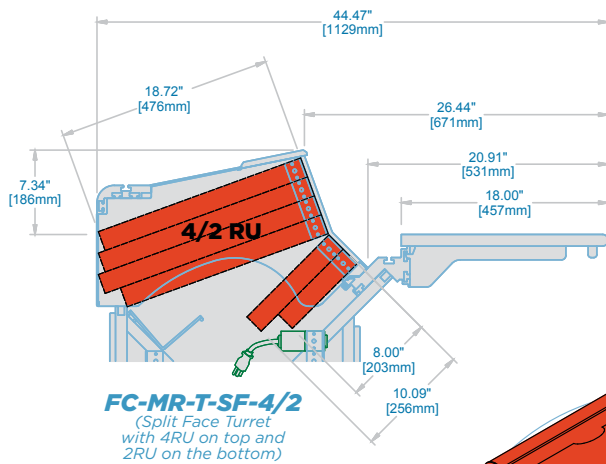
All designs, plans, ideas & specifications in this drawing remain the entire property of Forecast Consoles Inc. and may not be reproduced or used in any manner without written consent.

(631) 253-9000 or info@forecast-consoles.com



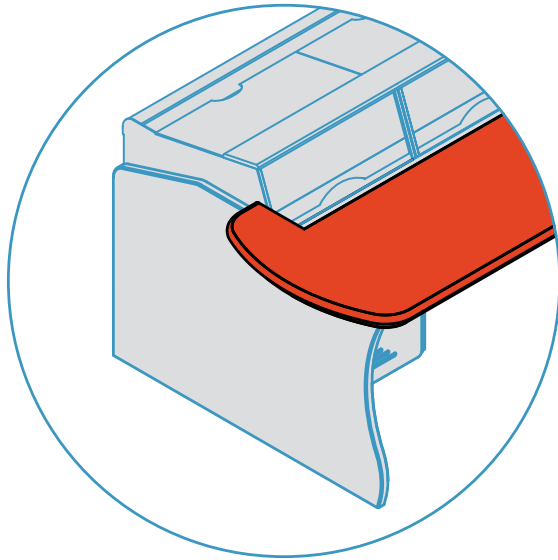
Split Face Turrets

Split Face Turrets are designed to have the lower 2 rack units below the countertop for improved sightlines. The compound angle of the Split Face allows the equipment in the lower 2 rack units to be more accessible.

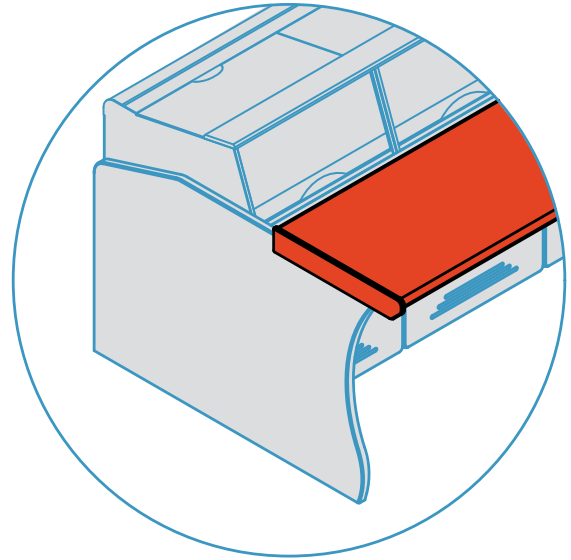




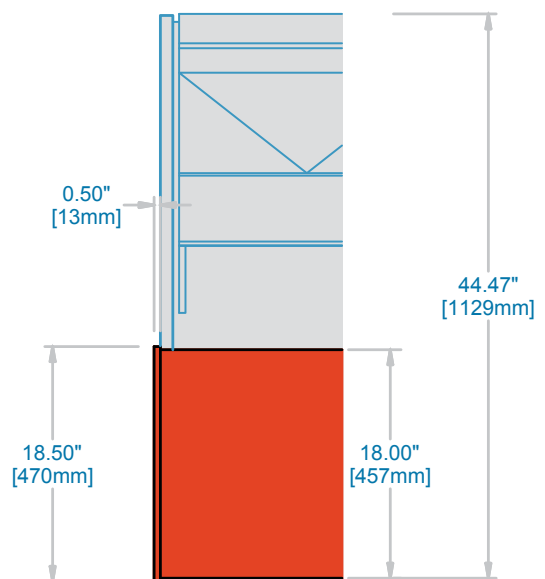
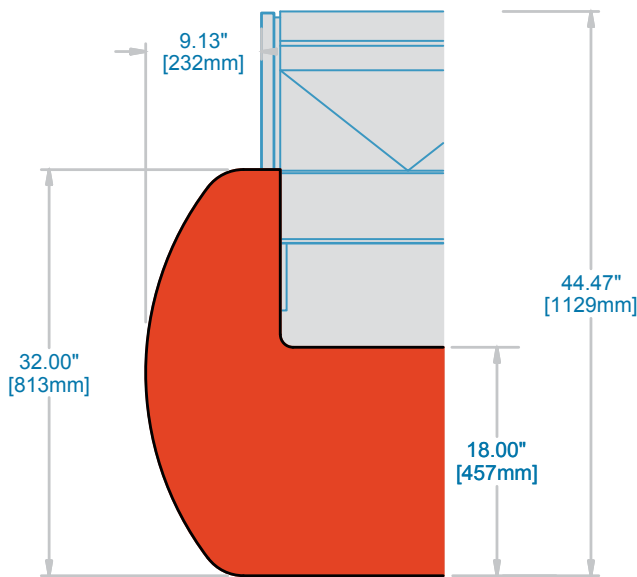
Countertop Options



FC-MR-CTOP-A
(Rounded Countertop)



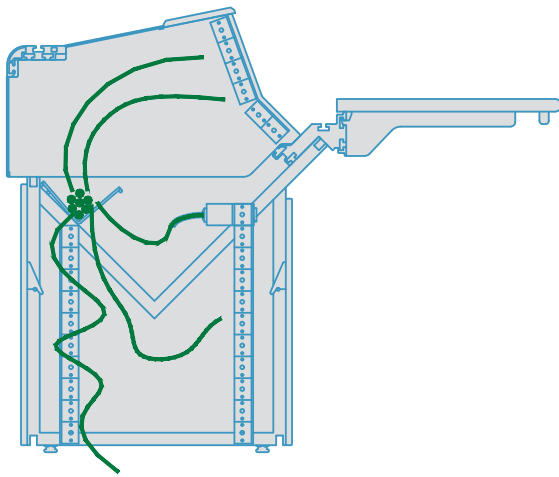
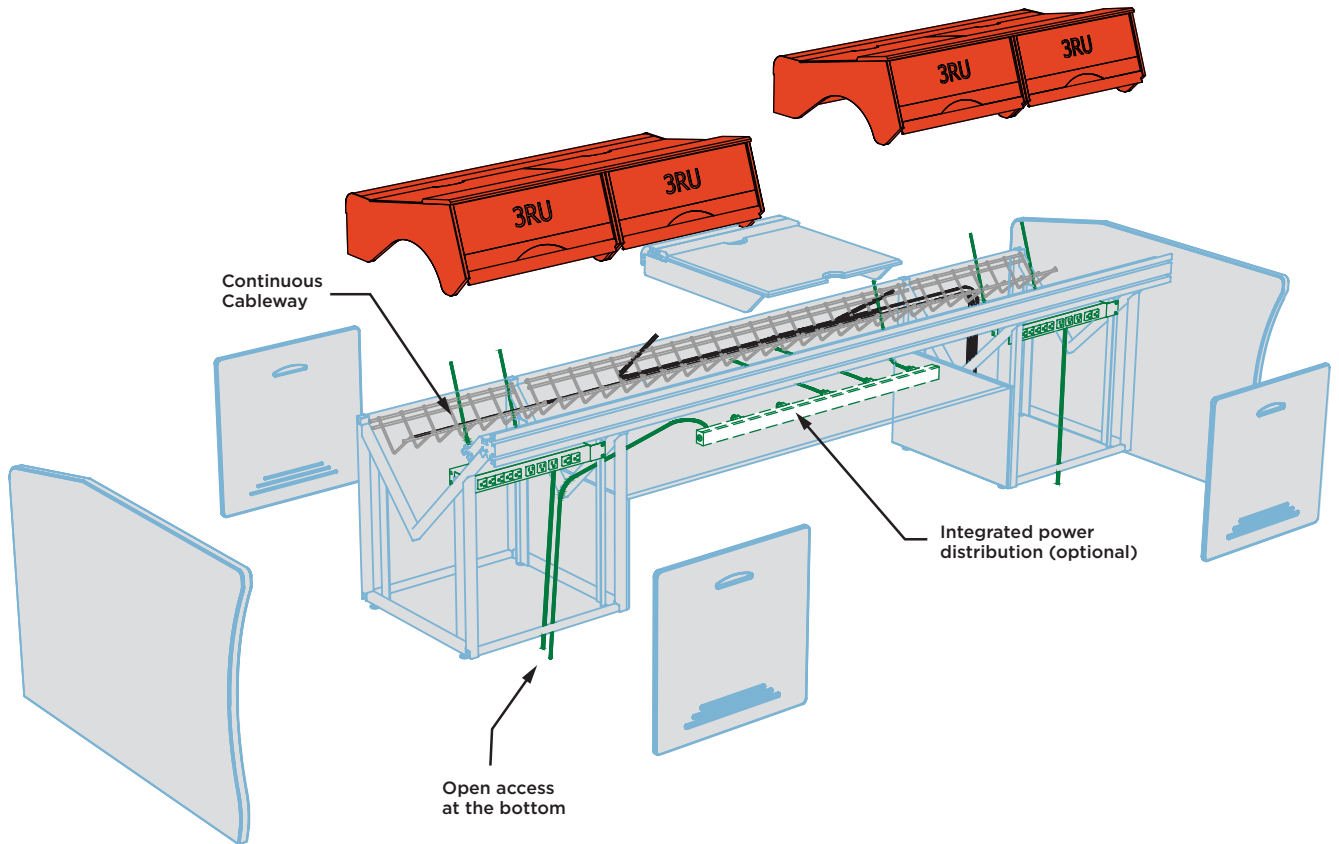
FC-MR-CTOP-B
(Straight Countertop with edge)



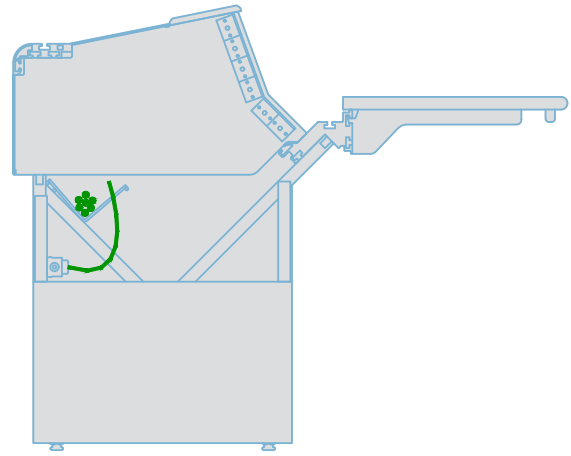


Wiring

- *Integrated power distribution (optional)*
- *Removable front and rear panels for easy access to the continuous cable management*



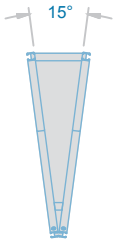
Example of rack base wiring



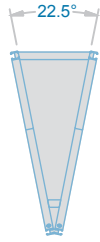
Example of clear bay span wiring



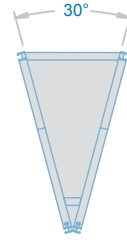
Standard Concave or Convex Transition Angles



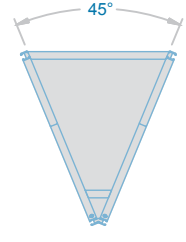
FC-MR-TR-15
(15° transition angle)



FC-MR-TR-22.5
(22.5° transition angle)

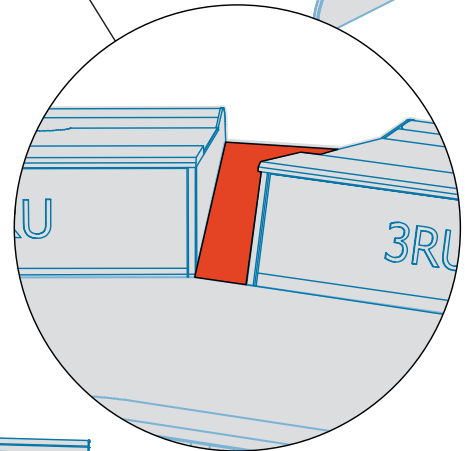
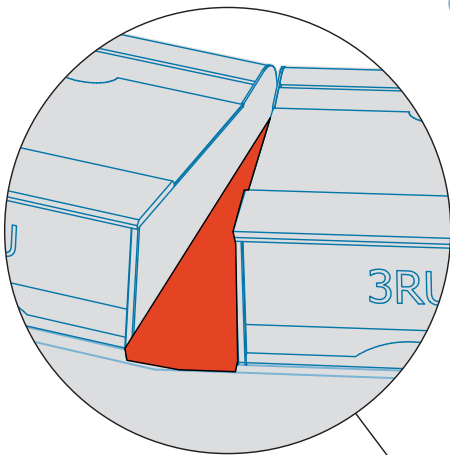
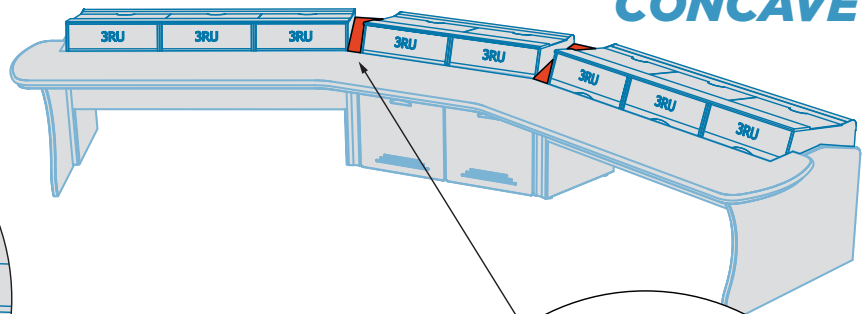


FC-MR-TR-30
(30° transition angle)



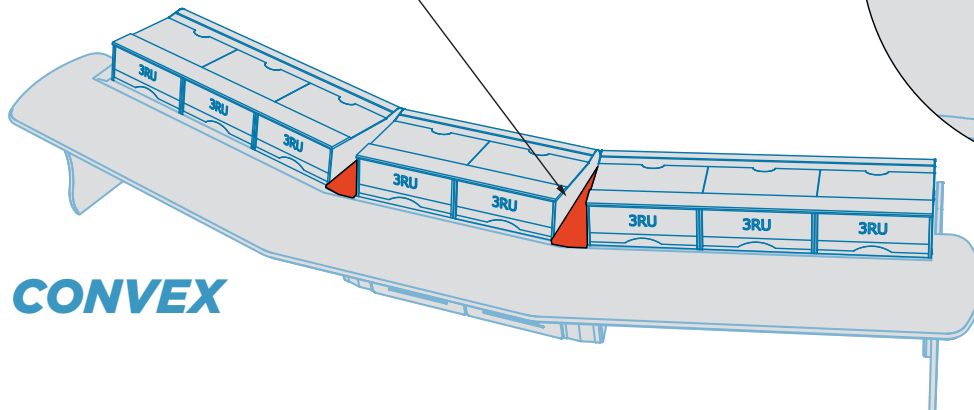
FC-MR-TR-45
(45° transition angle)

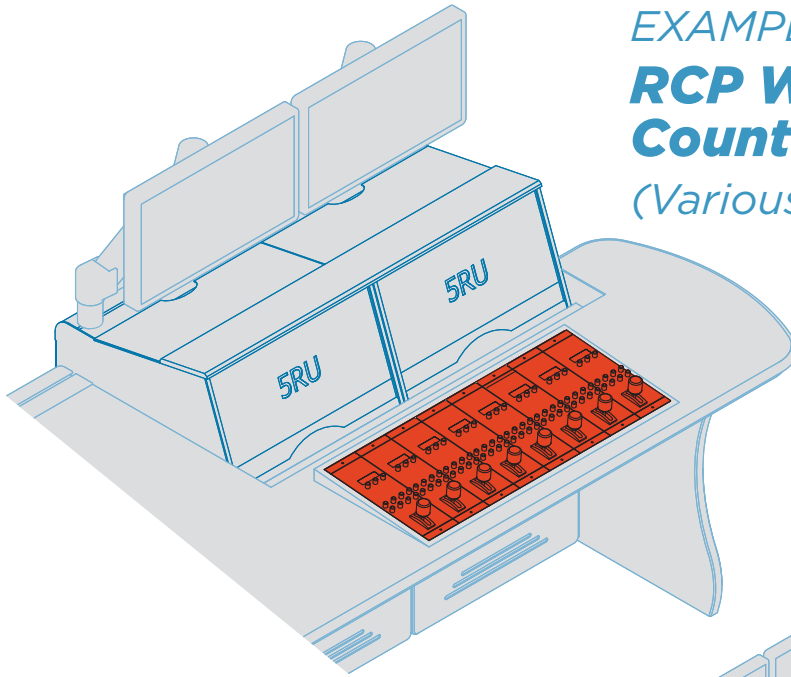
CONCAVE



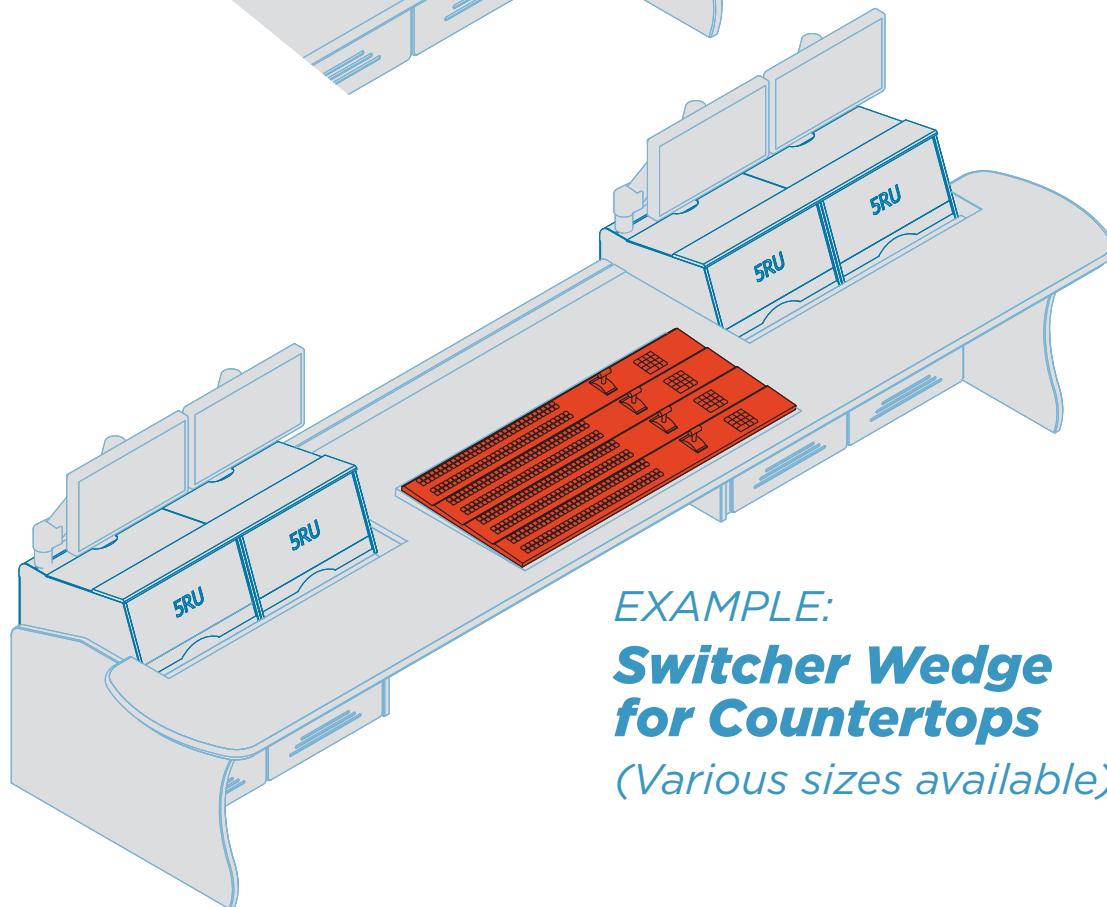
Multiple transitions can be used to accomplish any desired shape.

CONVEX





EXAMPLE:
RCP Wedge for Countertops
(Various sizes available)



EXAMPLE:
Switcher Wedge for Countertops
(Various sizes available)

MasteRail™

Specs & Configurations



MONITOR
POST MOUNT ARM



FC-PA-14-S
(30lb Weight Capacity)

DUAL MONITOR
POST MOUNT ARM



FC-PA-28-D
(40lb Weight Capacity)

FULLY ARTICULATING
MONITOR ARM



FC-AA-0313
(3-13lb Weight Capacity)
FC-AA-0825
(8-25lb Weight Capacity)
FC-AA-1331
(13-31lb Weight Capacity)

POST MOUNT
SPEAKER PLATFORM



FC-PA-14 SPEAKER
14" Post (20lb Weight Capacity)
FC-PA-28 SPEAKER
28" Post (20lb Weight Capacity)

MasteRail™ Universal Mounting System*

Aluminum Extrusion has a channel used to mount a variety of accessories giving you maximum flexibility. (Mounts and accessories sold separately.)

*Available in all MasteRail™ models

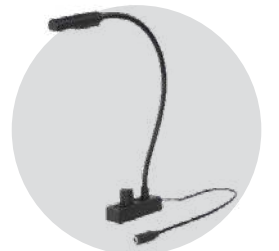


ARTICULATING
TELEPHONE
POST MOUNT



FC-PA-14-PHONE

GOOSENECK
TASK LIGHT

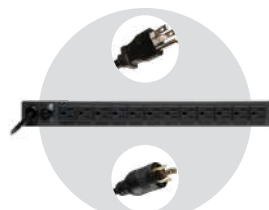


FC-AC-GOOSENECK LT

Power Distribution Options

Rack Mount Power Distribution Units can be mounted in different locations depending on your wiring requirements.

RACK MOUNT (12)
OUTLET POWER STRIP



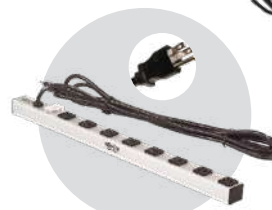
FC-RS1215 (15 Amp)
FC-RS1220 (20 Amp)

FORECAST 1RU
POWER DATA UNIT



FC-PDM-1

24" (8) OUTLET
POWER STRIP



FC-PS0815

36" (14) OUTLET
POWER STRIP



FC-PS1415 (15 Amp)
FC-PS1420 (20 Amp)

All designs, plans, ideas & specifications in this drawing remain the entire property of Forecast Consoles Inc. and may not be reproduced or used in any manner without written consent.

(631) 253-9000 or info@forecast-consoles.com



Forecast Standard Laminates





MasterVision™
 Low-Profile Production &
 Monitoring Console System



Sightline™
 Configurable Monitor
 Wall System



GCX-Chassis™
 Modular Desk System for
 One or More Operators

For more information: **(800) 735-2070** or **info@forecast-consoles.com**

All designs, plans, ideas & specifications in this drawing remain the entire property of Forecast Consoles Inc. and may not be reproduced or used in any manner without written consent.

**Prices upon request*