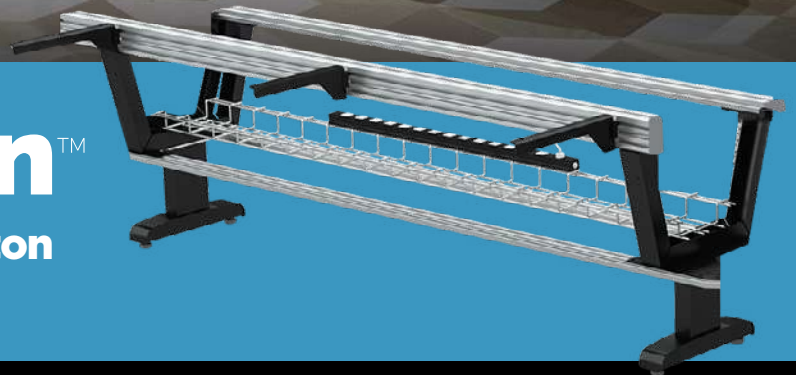




MasterVision™

Low profile, **Cut-to-Fit Skeleton**
Based Console System



*Designed for Improved Sightlines,
Future Expansion and Ease of Integration*

TABLE OF CONTENTS:

MASTERVISION

■ The anatomy of a MasterVision.....	2
■ The technology inside MasterVision.....	3
■ The look of your MasterVision	4
■ Configure your MasterVision	5
■ Turret Options.....	6
■ Removable Rack Insert.....	8
■ Removable CPU Shelf	9
■ Countertop Options.....	10
■ Countertop Heights	11
■ Wiring.....	12
■ Transitions	14
■ Wedges	16
■ Accessories.....	17

The MasterVision Advantage:

OPEN
Architecture



The open frame design and continuous integrated cableway makes pulling cables and wiring easier and more accessible.

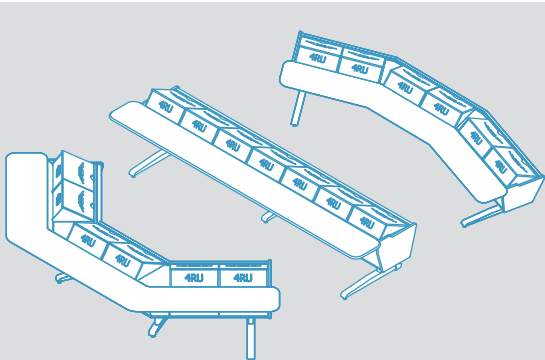


MasterVision rack turrets and monitor drop wells can easily be removed and replaced to meet changing equipment needs. Just lift and replace, no tools needed.

TOOL-LESS
Adjustments

LOW
Profile

MasterVision's sleek, low profile design gives users better sightlines and a shorter reach to touch screens and rack equipment.



MasterVision consoles can be configured to fit almost any space. Angular transitions are also available to create custom footprints.

CUT TO FIT
Anywhere

The anatomy of a MasterVision:



- 1 Custom designed aluminum extrusion forms a continuous central core.
- 2 Steel countertop arms interlock into the front extrusion and can be positioned and repositioned as needed.
- 3 Steel stanchions form the structure of the continuous central core.
- 4 Steel leg assemblies include adjustable levelers and cable pass-through to allow easy routing to the floor.
- 5 Removable front and rear panels to allow for easy access.

- 6 Continuous wire cableway.
- 7 Optional 14 outlet power distribution can be mounted along entire central core.
- 8 Vented lift-off removable turrets available in 2, 3, 4 & 5 rack units.
- 9 Drop wells and countertop extensions are available in 1/2 & 1 rack bay wide or custom width
- 10 Rear extrusion for mounting accessories.

The technology inside MasterVision:

Total Access & Flexibility

OPEN ARCHITECTURE BASE STRUCTURE

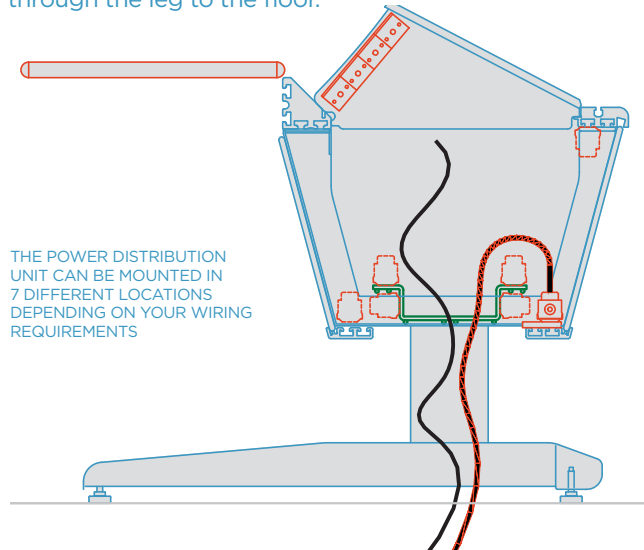
The open frame design and continuous integrated cable tray makes pulling cables and wiring easier than ever. Laser-cut machine formed steel stanchions and footings are unified with anodized aluminum extrusions, maximizing strength and reducing overall weight. Extrusions can be cut to any length and are not restricted to bay widths.



Run wiring through legs

CABLE PASS-THROUGH IN LEG

Cables can easily pass from your equipment through the leg to the floor.



THE POWER DISTRIBUTION UNIT CAN BE MOUNTED IN 7 DIFFERENT LOCATIONS DEPENDING ON YOUR WIRING REQUIREMENTS

Continuous Cableways

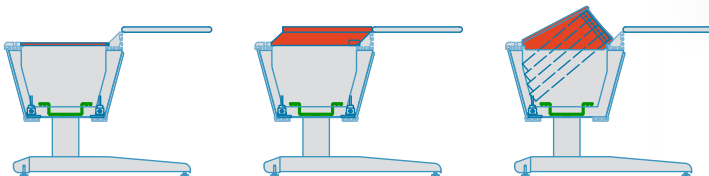
Cable management throughout the console.



Ready for all your gear

EASILY ARRANGE AND RE-ARRANGE TURRETS AND FILLERS AS NEEDED

Rack Turrets are available in 2, 3, 4 and 5 rack units. Countertop extensions and drop-wells are also available. Both have cable pass-through slots to allow desktop equipment cables to pass into the central core.



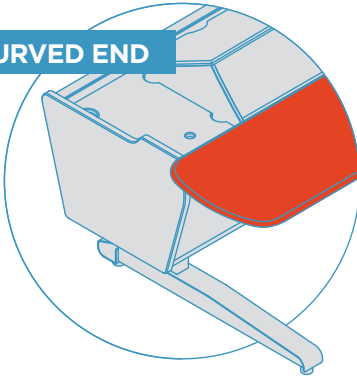
The look of your MasterVision:

Give your consoles their own look

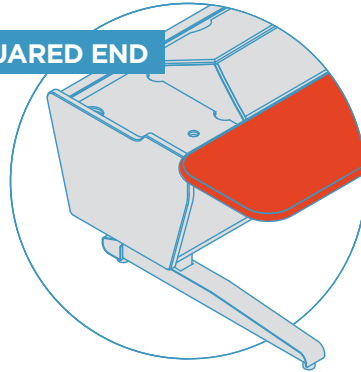
COUNTLESS COUNTERTOP VARIATIONS

Various countertop shapes, end details, materials and colors allow you to create the console of your dreams

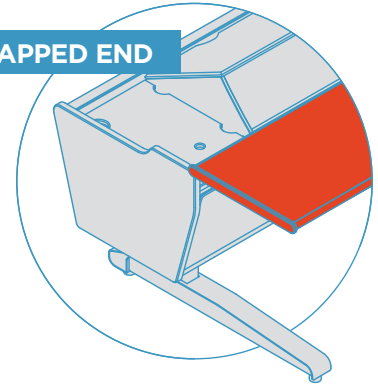
CURVED END



SQUARED END



CAPPED END



LAMINATE OR
LINOLEUM
WITH T-MOLDING



SOLID
SURFACE

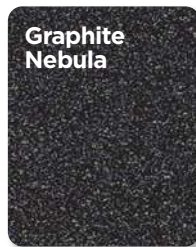


ACRYLIC



LAMINATE
W/ COMFORT EDGE
(OUTSOURCED)

Standard Laminates



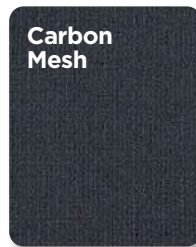
Graphite
Nebula



Pewter
Brush



Oiled Soap
Stone



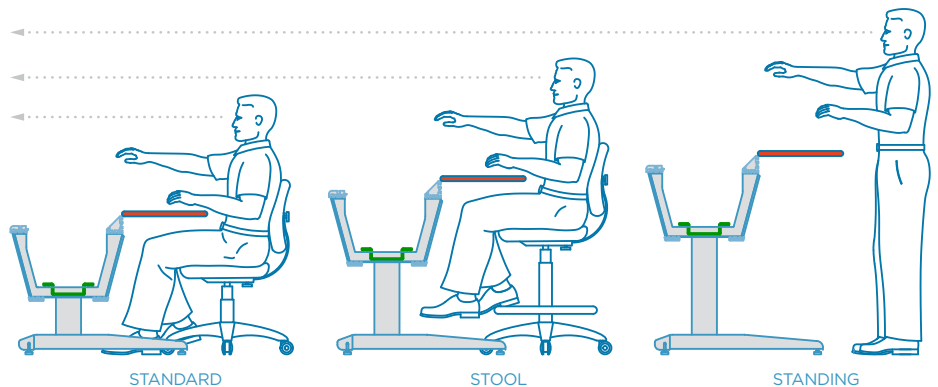
Carbon
Mesh



Asian
Night

Down in front!

Height options allow for better sightlines for rear rows.

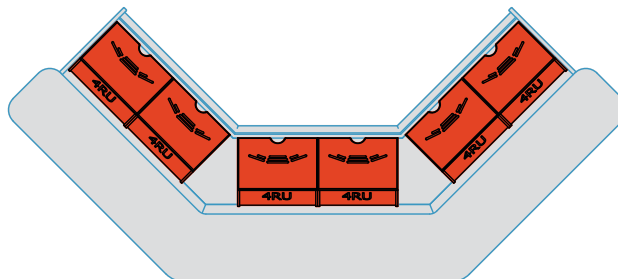
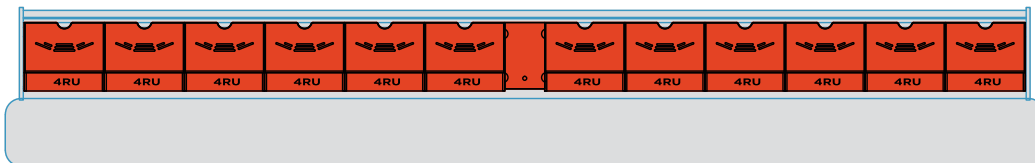
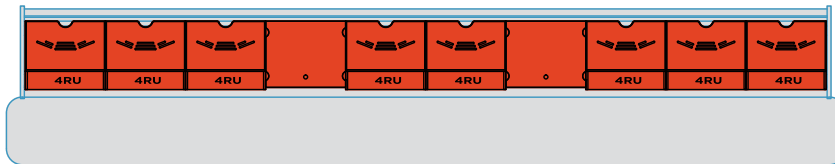
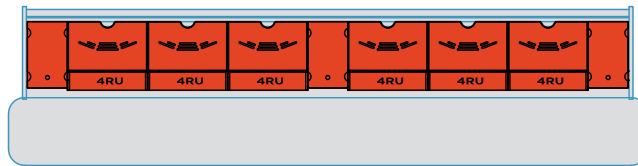
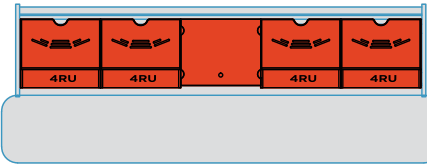
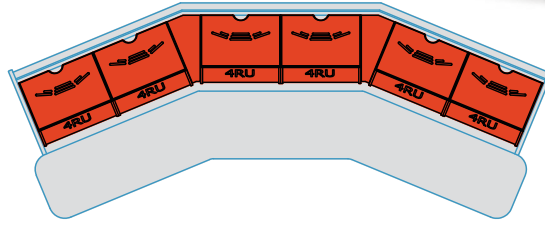


Configure your MasterVision:

Infinitely Expandable and Configurable

MASTERVISION FITS ANY AND EVERY ROOM SIZE OR SHAPE

MasterVision can be configured in concave or convex curves as well as free-form S-shape layouts. The lower transition panels ensure that wiring between the units are protected and hidden from view. Custom transition angles are available as an option. Aluminum extrusion is custom cut to match the final shape ensuring easy addition and relocation of the monitor arms and other mounted accessories.





MasterVision Inserts & Turrets



Ready For All Your Gear:

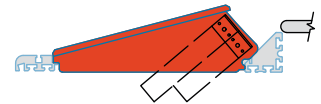
All turrets are vented and easily removable without tools. Drop well and countertop fillers are available in 1 and 1/2 bay sizes. Both have cable pass-through slots to allow desktop equipment cables to pass into the central core.



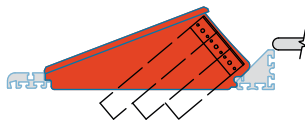
DROPWELL



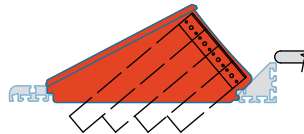
COUNTERTOP EXTENSION



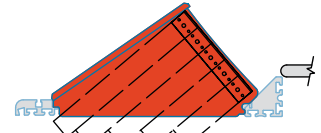
2RU TURRET



3RU TURRET



4RU TURRET



5RU TURRET

MasterVision™

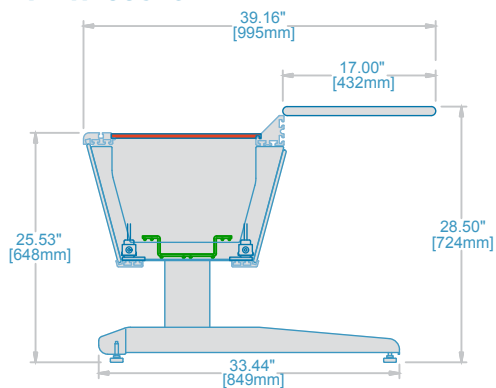
Specs & Configurations



FC-MV-DW-0.5 (1/2 Bay)

FC-MV-DW-1 (1 Bay)

FC-MV-DW-CUSTOM

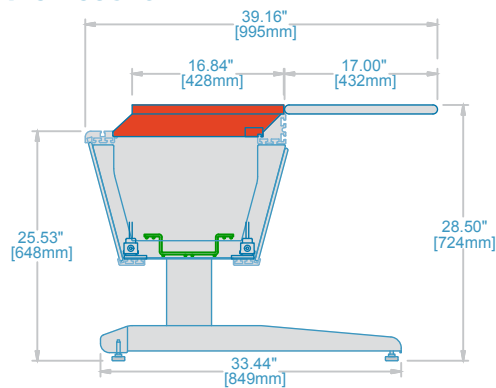


DROP WELL

FC-MV-CX-0.5 (1/2 Bay)

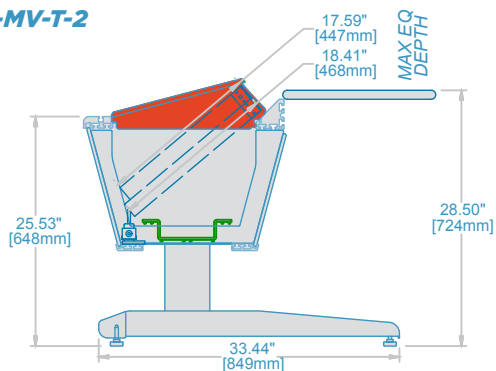
FC-MV-CX-1 (1 Bay)

FC-MV-CX-CUSTOM



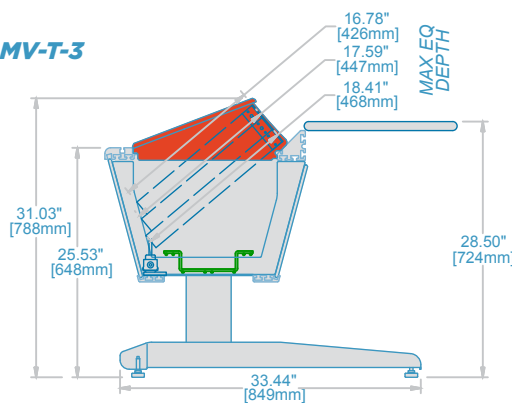
COUNTERTOP EXTENSION

FC-MV-T-2



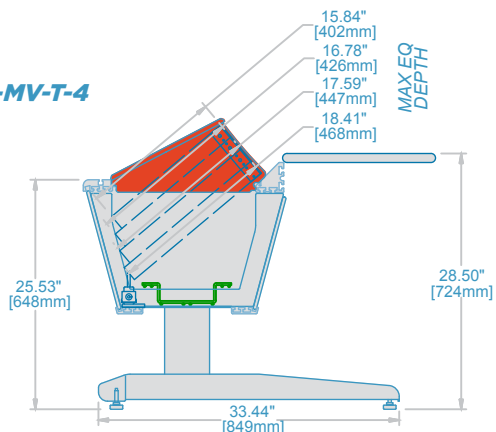
2RU TURRET

FC-MV-T-3



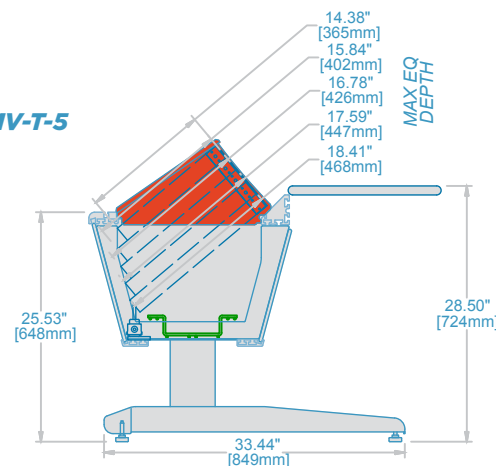
3RU TURRET

FC-MV-T-4



4RU TURRET

FC-MV-T-5



5RU TURRET

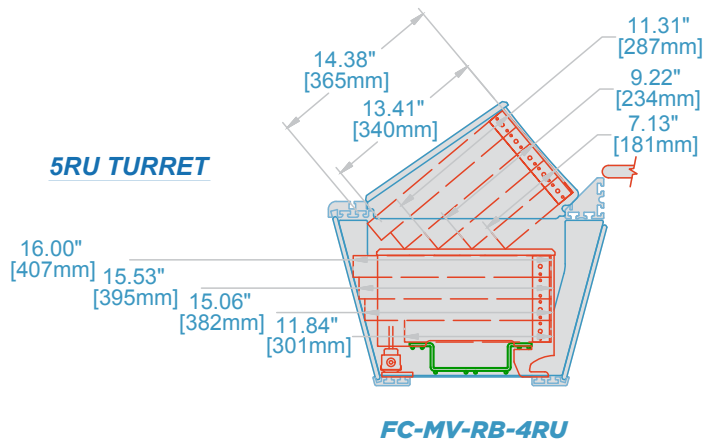
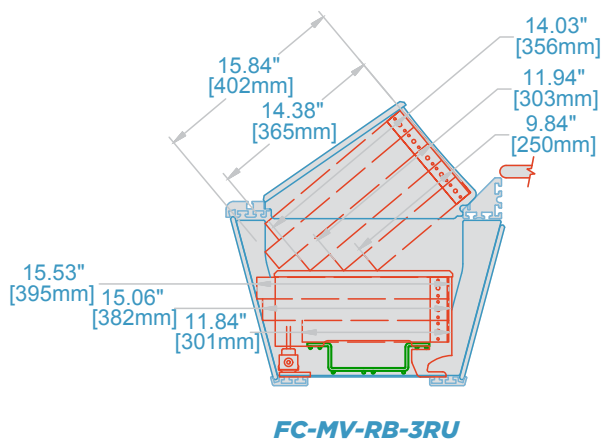
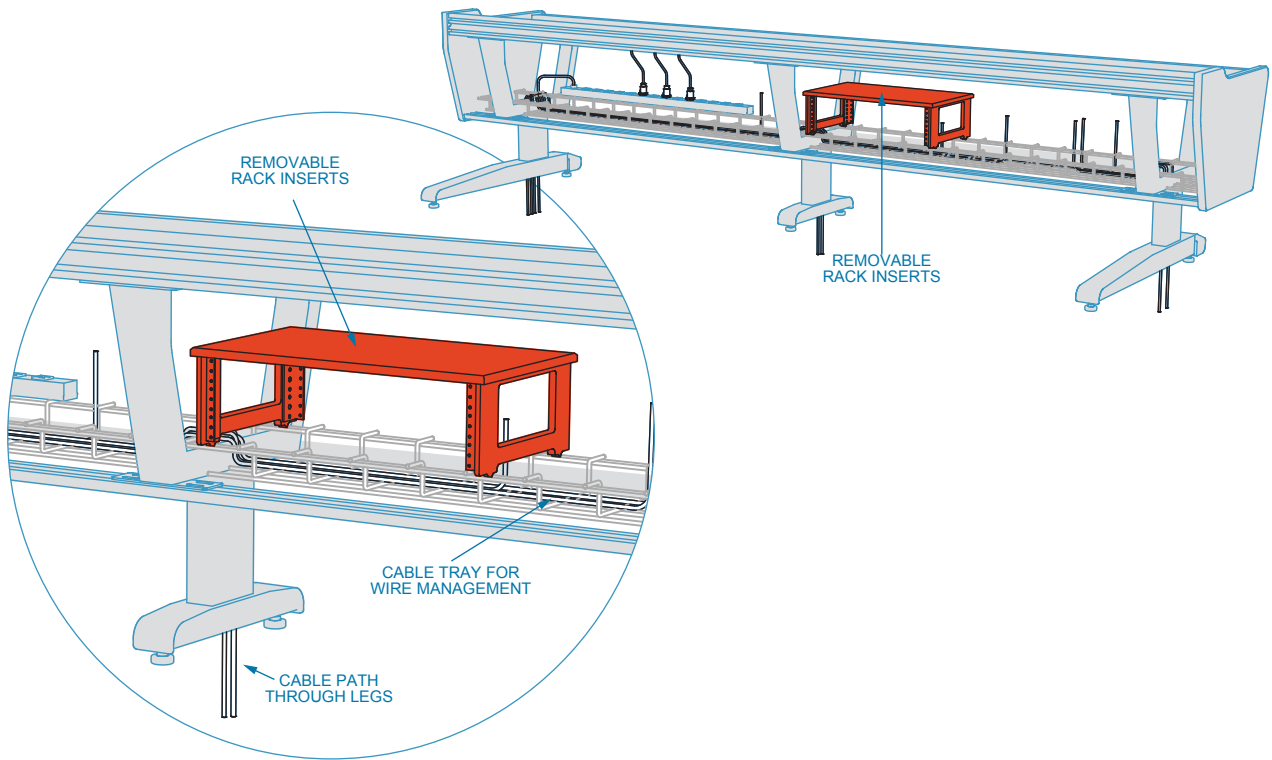
MasterVision™

Specs & Configurations



Removable Rack Inserts

MasterVision removable rack inserts are available in 3 and 4 rack unit. Diagrams below show maximum equipment depth when using a 5 rack unit turret and 3 and 4 rack unit undercounter rack insert combinations.



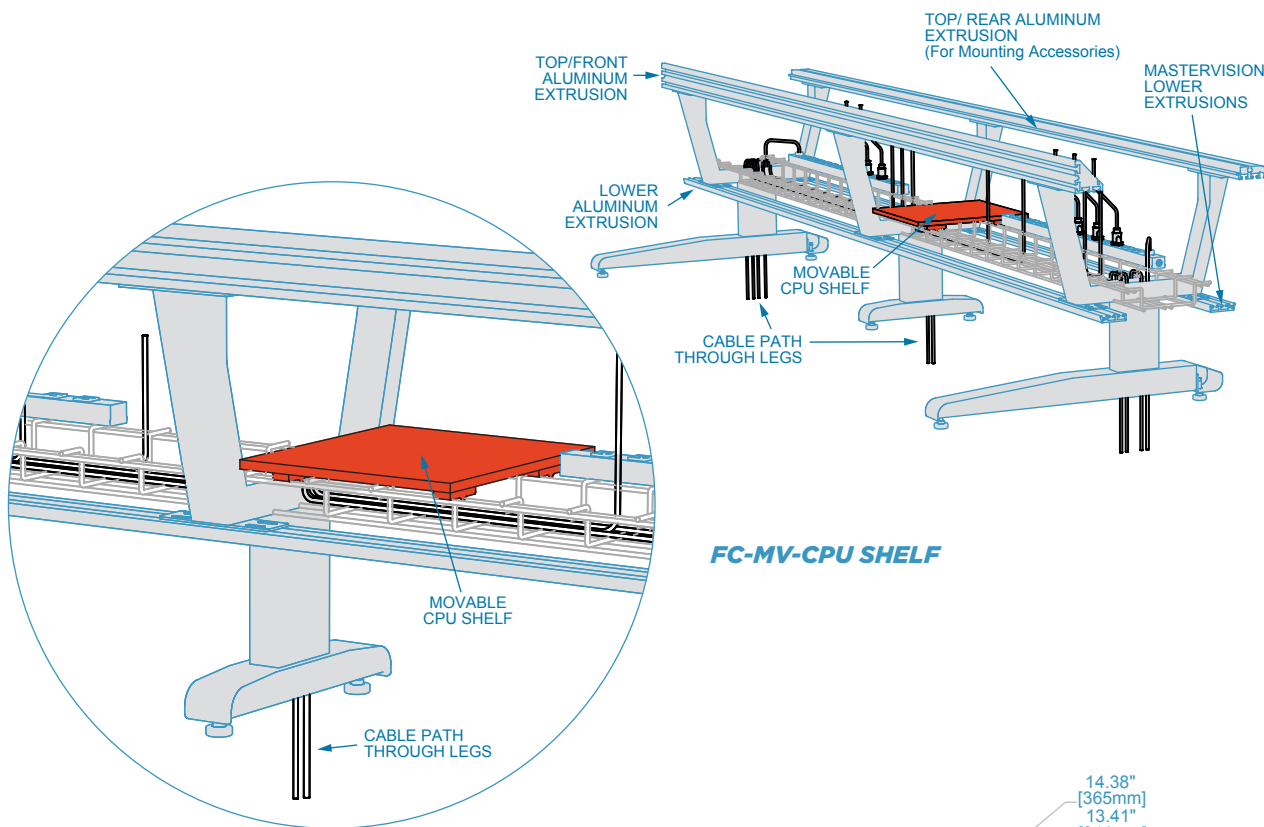
All designs, plans, ideas & specifications in this drawing remain the entire property of Forecast Consoles Inc. and may not be reproduced or used in any manner without written consent.

(631) 253-9000 or info@forecast-consoles.com

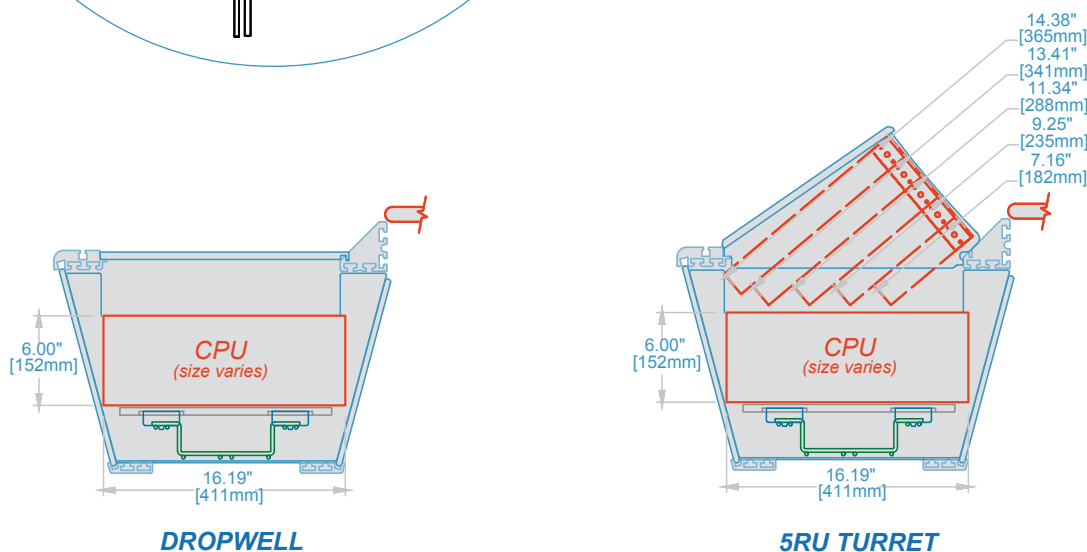


Removable CPU Shelf

When a CPU shelf is placed under an equipment turret the space is shared. Below diagrams shows max equipment depth when using a 6" tall CPU.



FC-MV-CPU SHELF



DROPPWELL

5RU TURRET

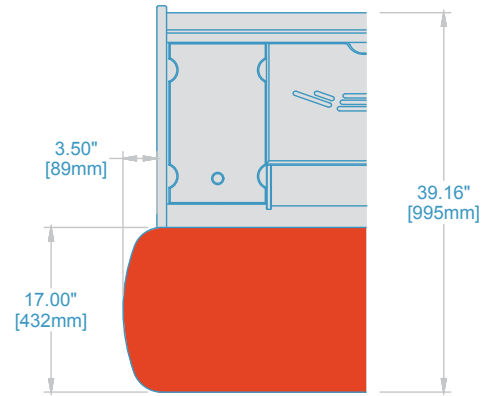
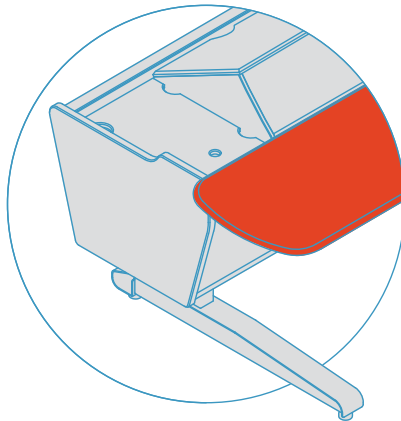
MasterVision™

Specs & Configurations

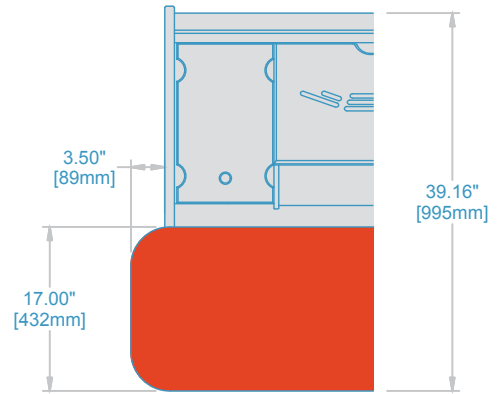
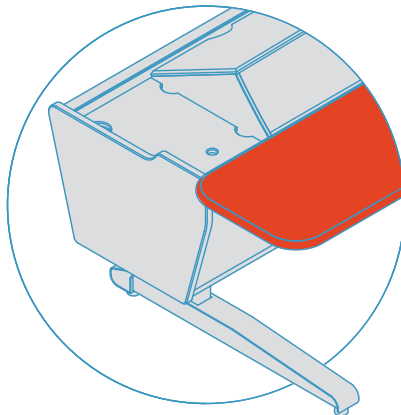


COUNTERTOP END DETAILS

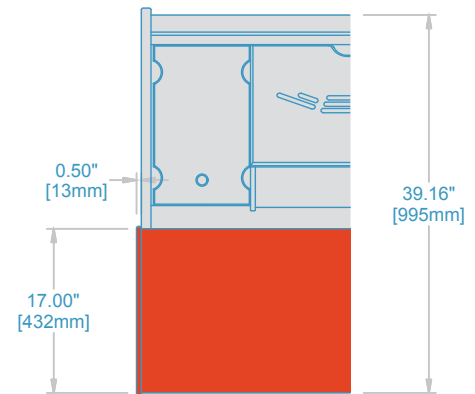
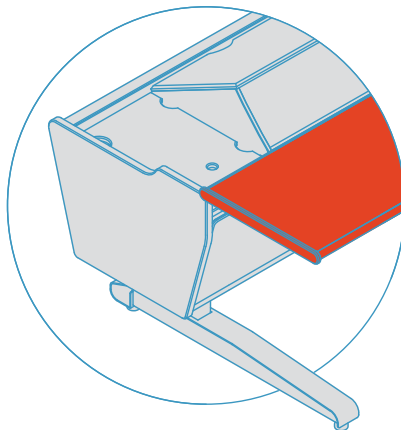
CURVED END
FC-MV-CTOP-A



SQUARED END
FC-MV-CTOP-B



CAPPED END
FC-MV-CTOP-C



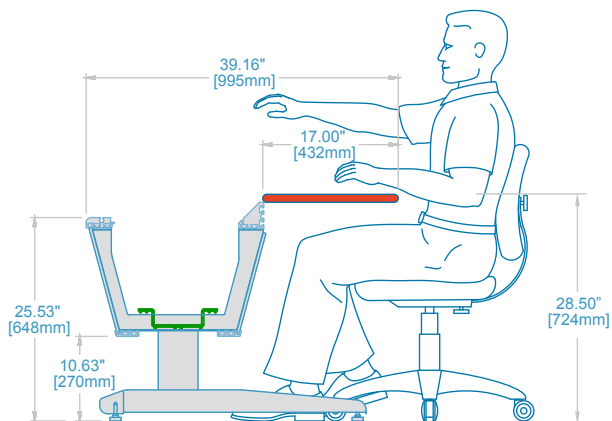
All designs, plans, ideas & specifications in this drawing remain the entire property of Forecast Consoles Inc. and may not be reproduced or used in any manner without written consent.

(631) 253-9000 or info@forecast-consoles.com



MasterVision built for your needs:

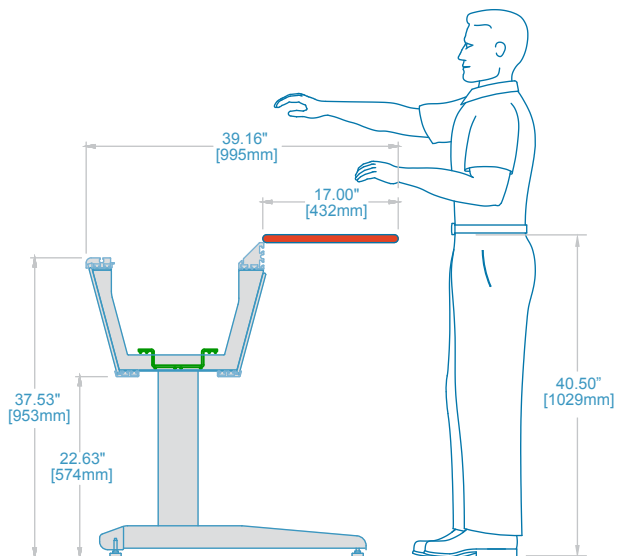
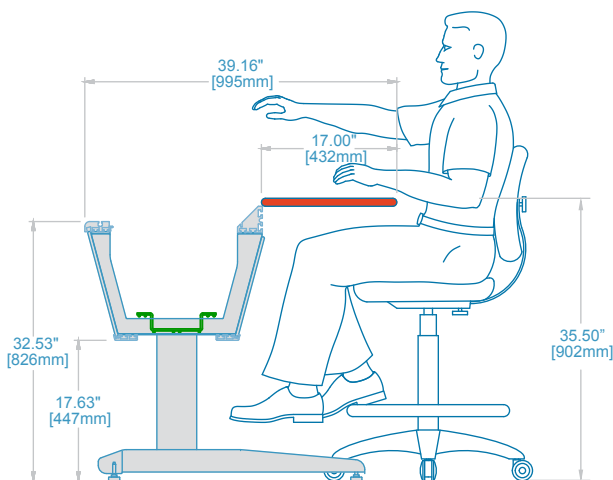
Multiple heights available



Standard Countertop Height

Stool Height Countertop

Common for production control room 2nd rows when sightlines to the monitor wall are hindered by standard height console.



Standing Height Countertop

Common for production control room 3rd rows when sightline to the monitor wall are hindered by a stool or standard height console.

MasterVision™

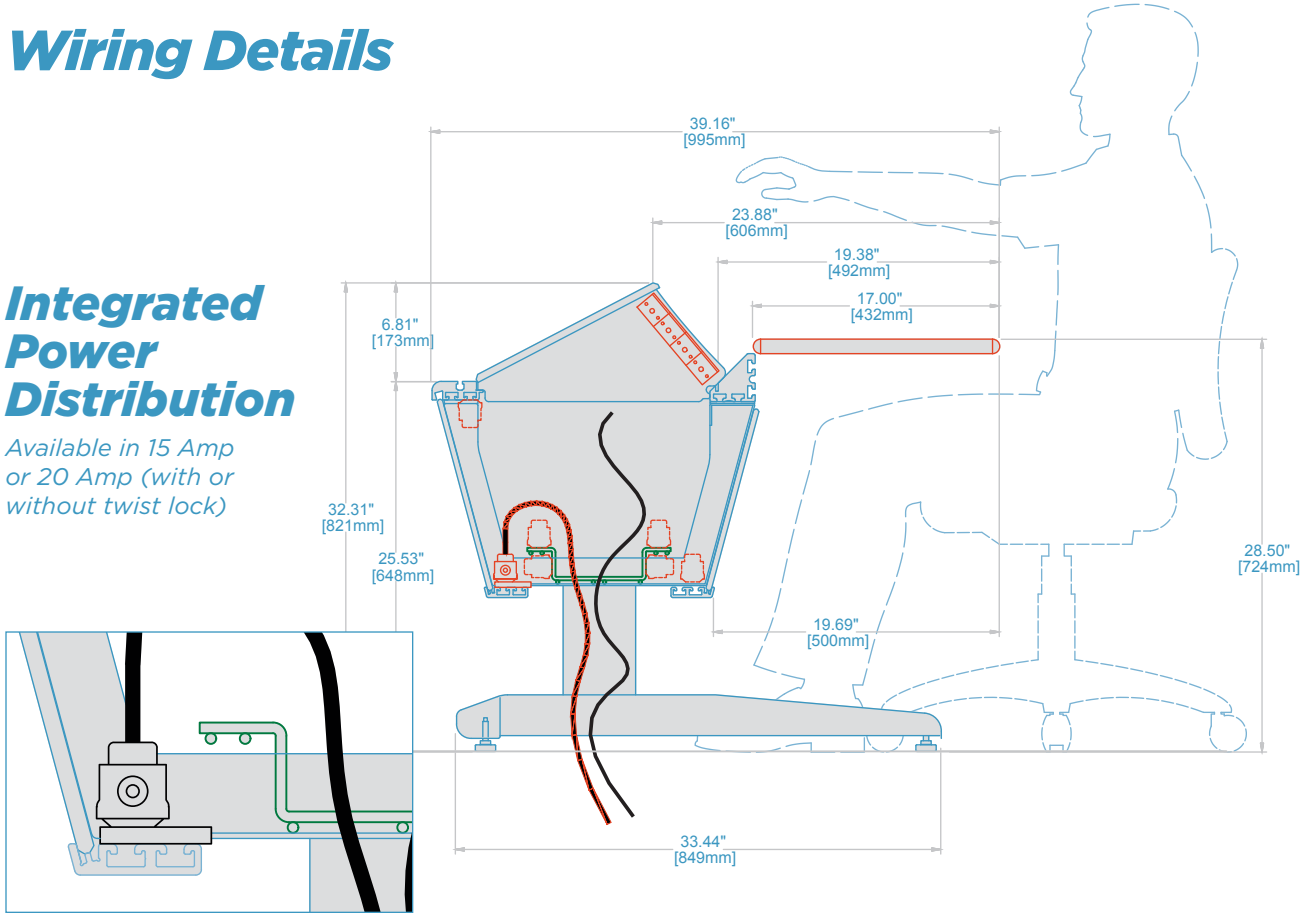
Specs & Configurations



Wiring Details

Integrated Power Distribution

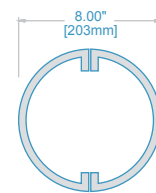
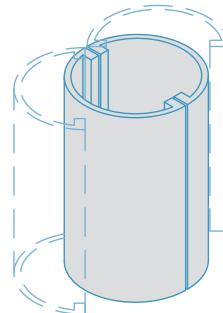
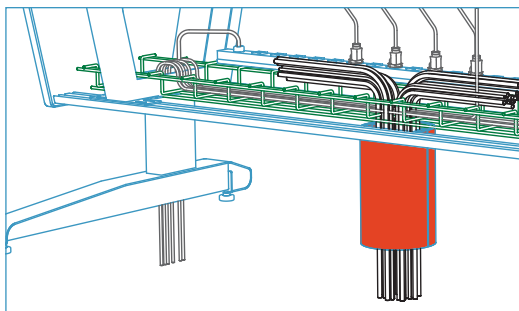
Available in 15 Amp or 20 Amp (with or without twist lock)



Cable Chimney

FC-MV-CABLE CHIMNEY

For larger amounts of cables, chimneys enclose the cables neatly and securely anywhere along the underside of the central core



All designs, plans, ideas & specifications in this drawing remain the entire property of Forecast Consoles Inc. and may not be reproduced or used in any manner without written consent.

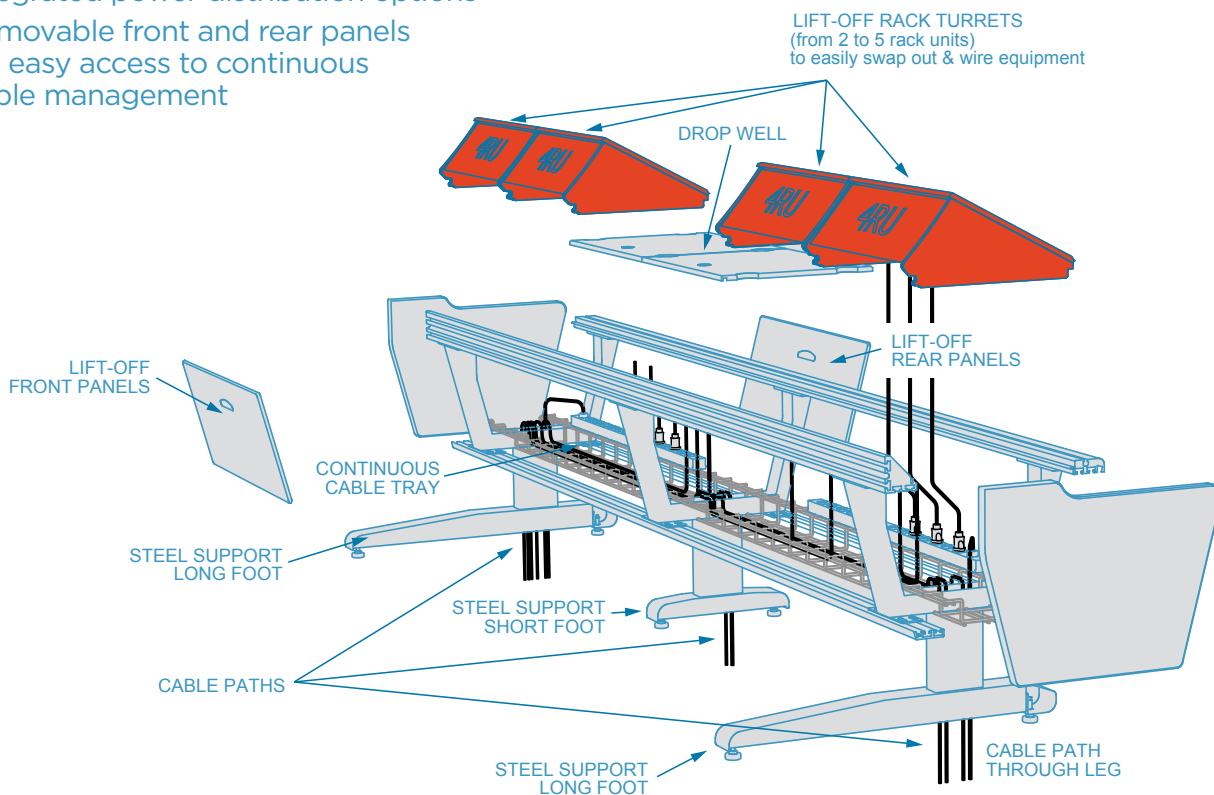
(631) 253-9000 or info@forecast-consoles.com



The Ease of Wiring MasterVision



- Integrated power distribution options
- Removable front and rear panels for easy access to continuous cable management

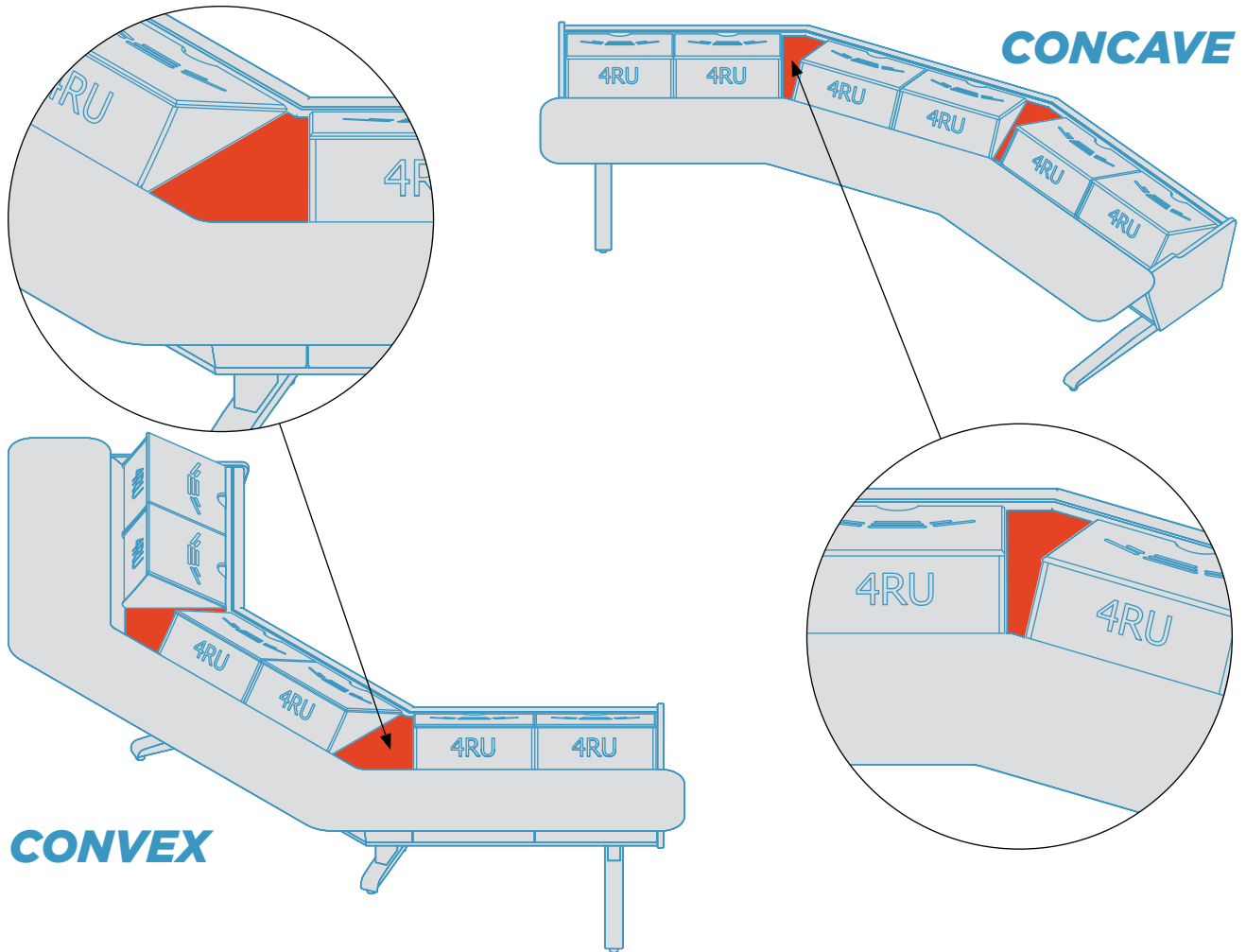
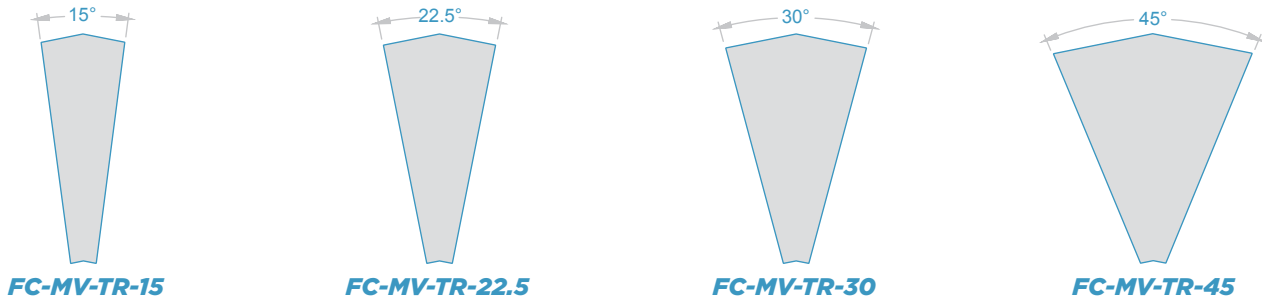


MasterVision™

Specs & Configurations



Standard Concave or Convex Transition Angles

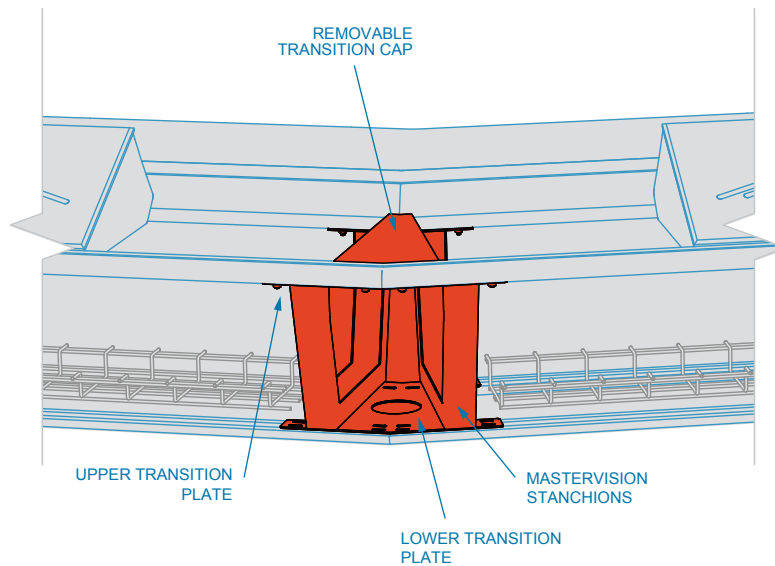
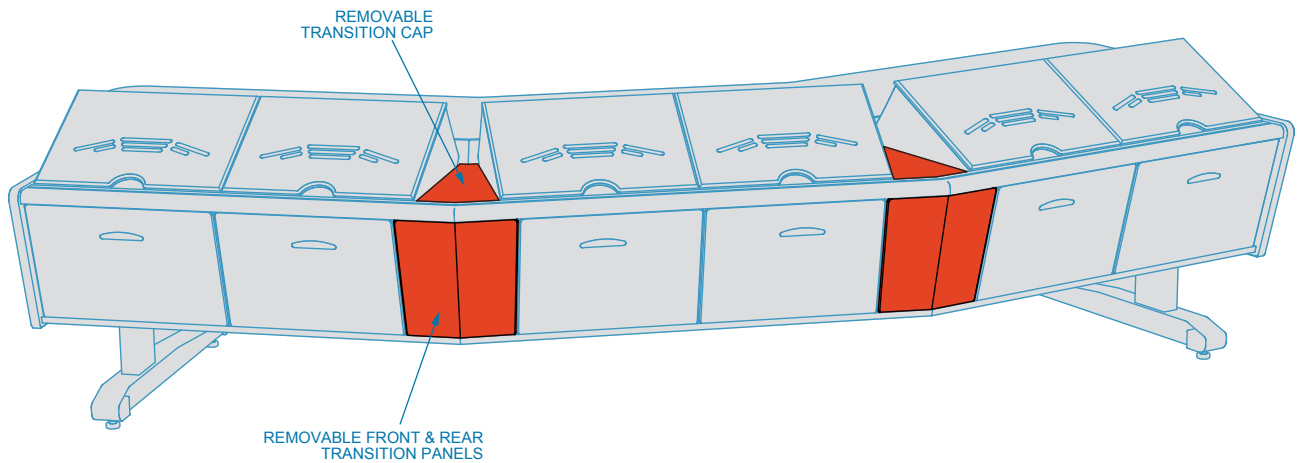


All designs, plans, ideas & specifications in this drawing remain the entire property of Forecast Consoles Inc. and may not be reproduced or used in any manner without written consent.

(631) 253-9000 or info@forecast-consoles.com



Transition Component Parts

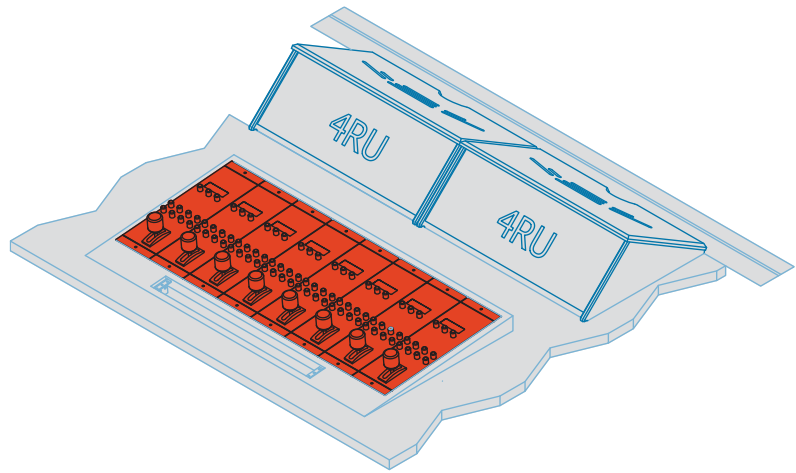


MasterVision™

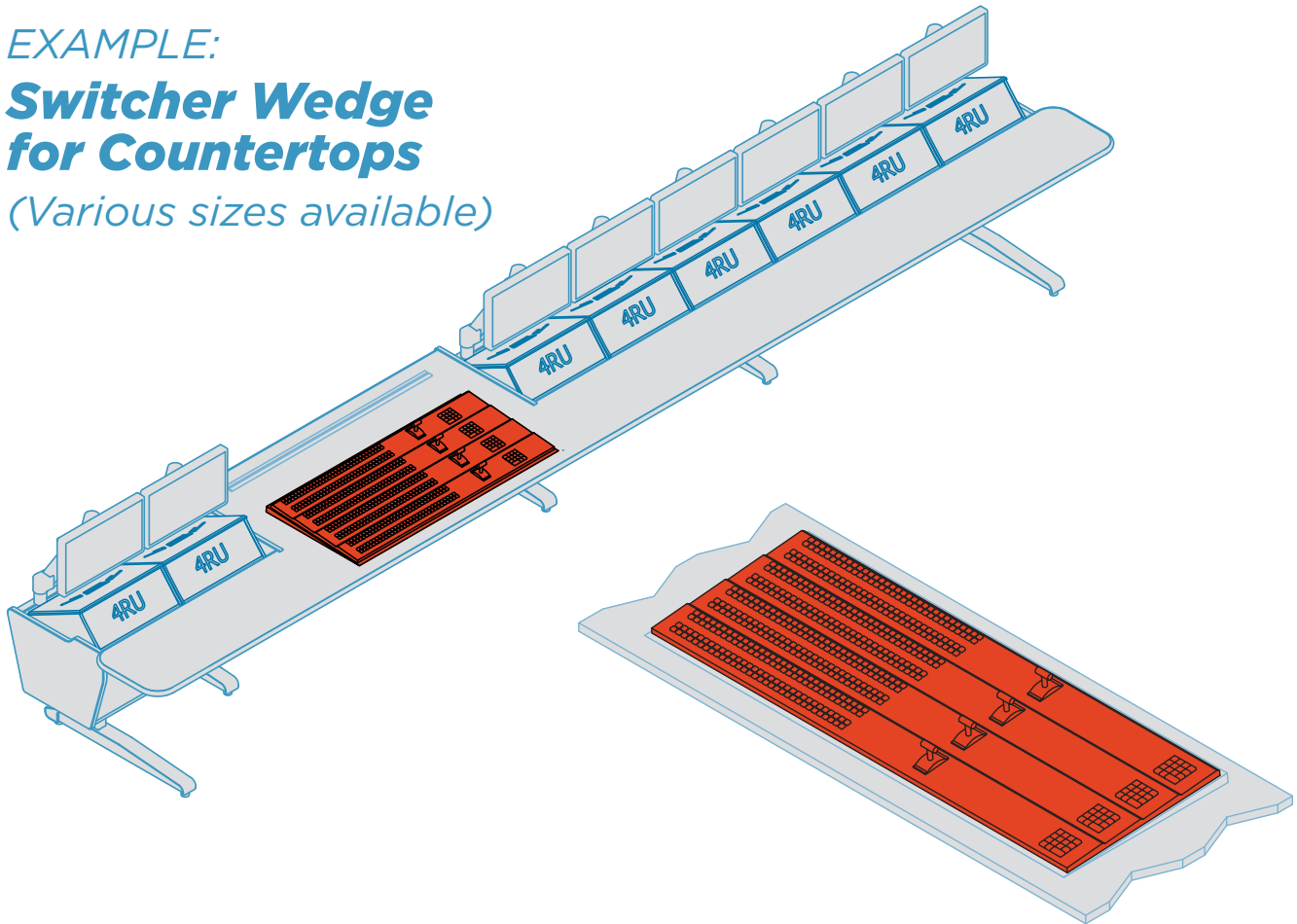
Specs & Configurations



EXAMPLE:
RCP Wedge for Countertops
(Various sizes available)



EXAMPLE:
Switcher Wedge for Countertops
(Various sizes available)



All designs, plans, ideas & specifications in this drawing remain the entire property of Forecast Consoles Inc. and may not be reproduced or used in any manner without written consent.

(631) 253-9000 or info@forecast-consoles.com

MasterVision™

Specs & Configurations



MONITOR
POST MOUNT ARM



FC-PA-14-S
(30lb Weight Capacity)

DUAL MONITOR
POST MOUNT ARM



FC-PA-28-D
(40lb Weight Capacity)

FULLY ARTICULATING
MONITOR ARM



FC-AA-0313
(3-13lb Weight Capacity)
FC-AA-0825
(8-25lb Weight Capacity)
FC-AA-1331
(13-31lb Weight Capacity)

POST MOUNT
SPEAKER PLATFORM



FC-PA-14 SPEAKER
14" Post (20lb Weight Capacity)
FC-PA-28 SPEAKER
28" Post (20lb Weight Capacity)



MasteRail™ Universal Mounting System*

Aluminum Extrusion has a channel used to mount a variety of accessories giving you maximum flexibility. (Mounts and accessories sold separately.)

*Available in all MasterVision™ models



ARTICULATING
TELEPHONE
POST MOUNT



FC-PA-14-PHONE

GOOSENECK
TASK LIGHT

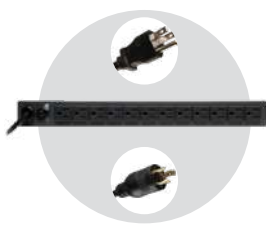


FC-AC-GOOSENECK LT

Power Distribution Options

Rack Mount Power Distribution Units can be mounted in different locations depending on your wiring requirements.

RACK MOUNT (12)
OUTLET POWER STRIP



FC-RS1215 (15 Amp)
FC-RS1220 (20 Amp)

FORECAST 1RU
POWER DATA UNIT



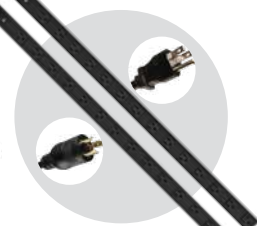
FC-PDM-1

24" (8) OUTLET
POWER STRIP



FC-PS0815

36" (14) OUTLET
POWER STRIP



FC-PS1415 (15 Amp)
FC-PS1420 (20 Amp)



MasterVision™
 Low-Profile Production &
 Monitoring Console System



Sightline™
 Configurable Monitor
 Wall System



GCX-Chassis™
 Modular Desk System for
 One or More Operators

For more information: **(800) 735-2070** or **info@forecast-consoles.com**

All designs, plans, ideas & specifications in this drawing remain the entire property of Forecast Consoles Inc. and may not be reproduced or used in any manner without written consent.

**Prices upon request*